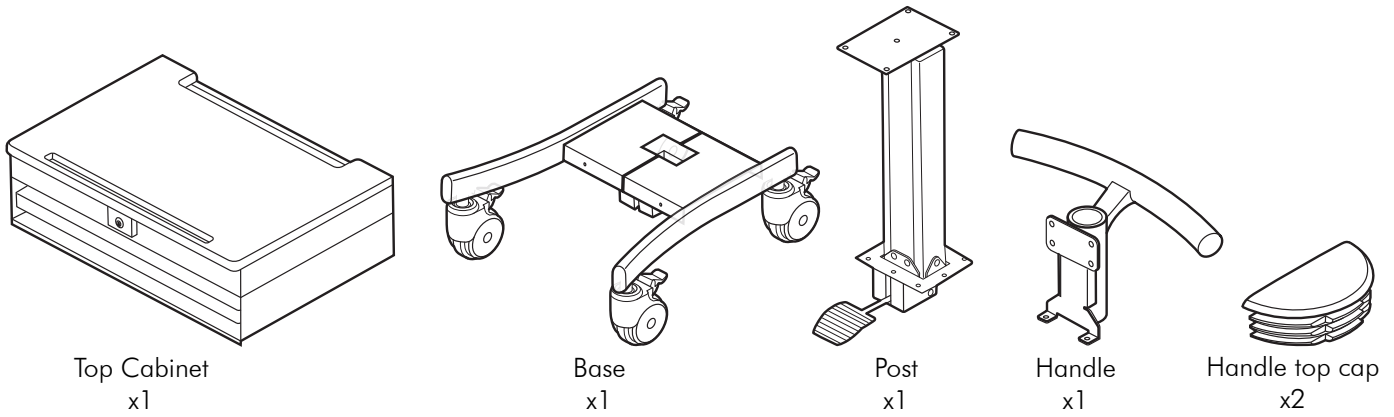


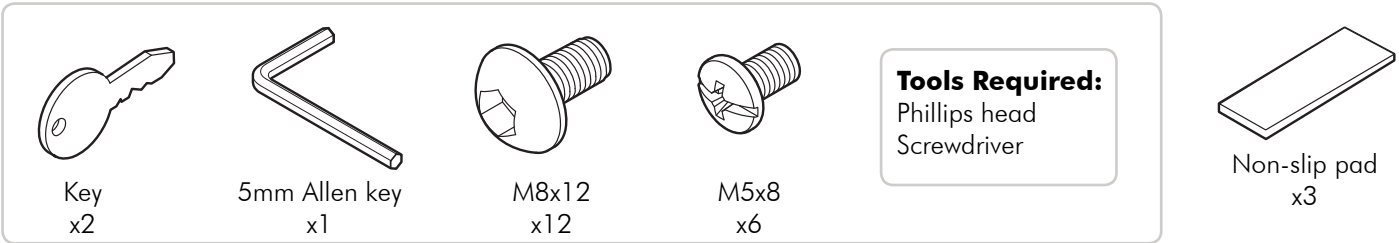
# Installation Instructions

# Notebook Cart

## Component Checklist



### Hardware:



## IMPORTANT INFORMATION

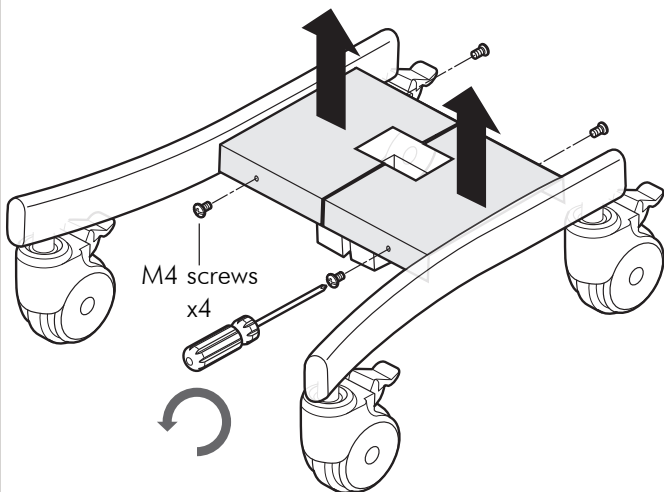
- ! **IMPORTANT - Install as per Installation Instructions**
- ! This product is compatible with laptops up to 400mm (15.7") wide.
- ! This product supports a maximum load 5kg.
- ! The manufacturer accepts no responsibility for incorrect installation.

## Step 1. Check Components

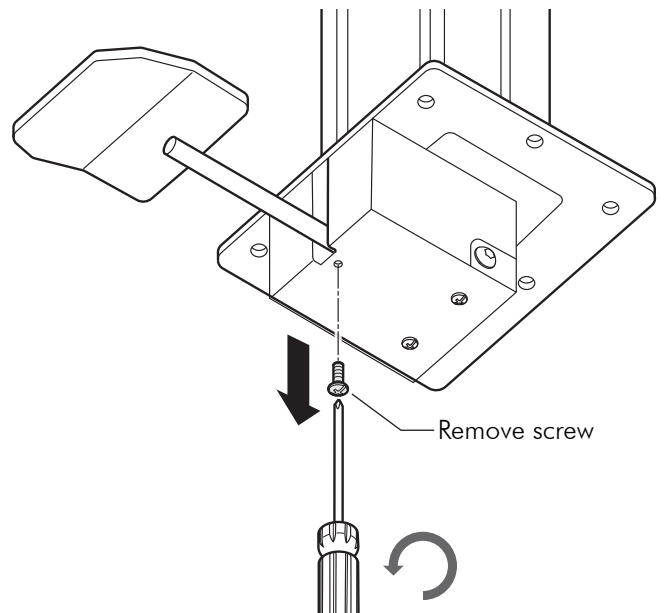
Check that you have received all parts against the Component Checklist.

### Step 2. Remove the cover plates

Remove the 4x M5 screws on the cover plates using the Phillips head screwdriver.

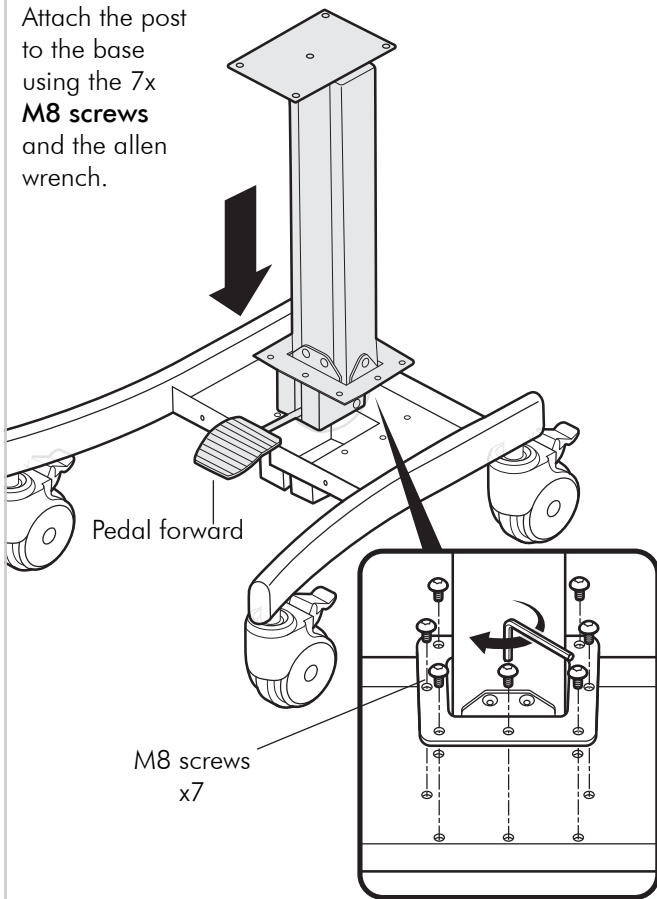


### Step 3. Remove safety screw on post bottom



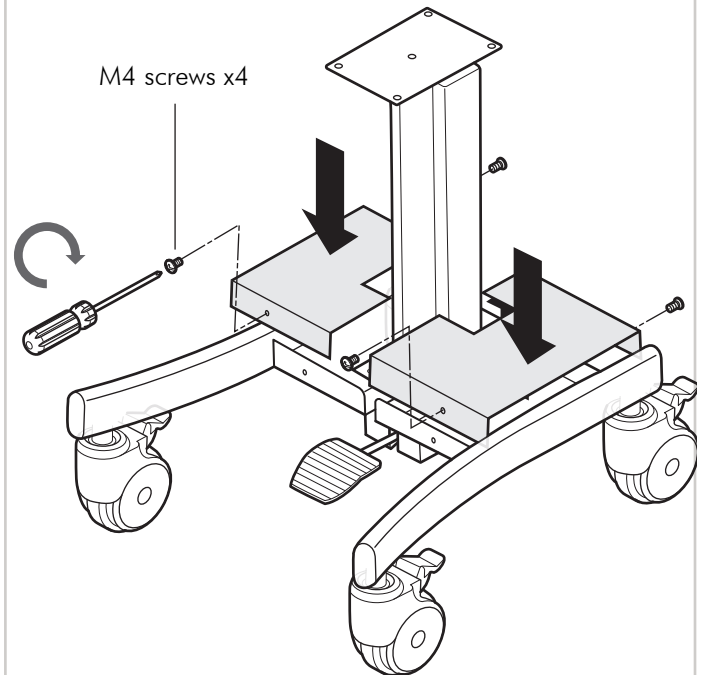
#### Step 4. Attach post to base

Attach the post to the base using the 7x **M8 screws** and the allen wrench.



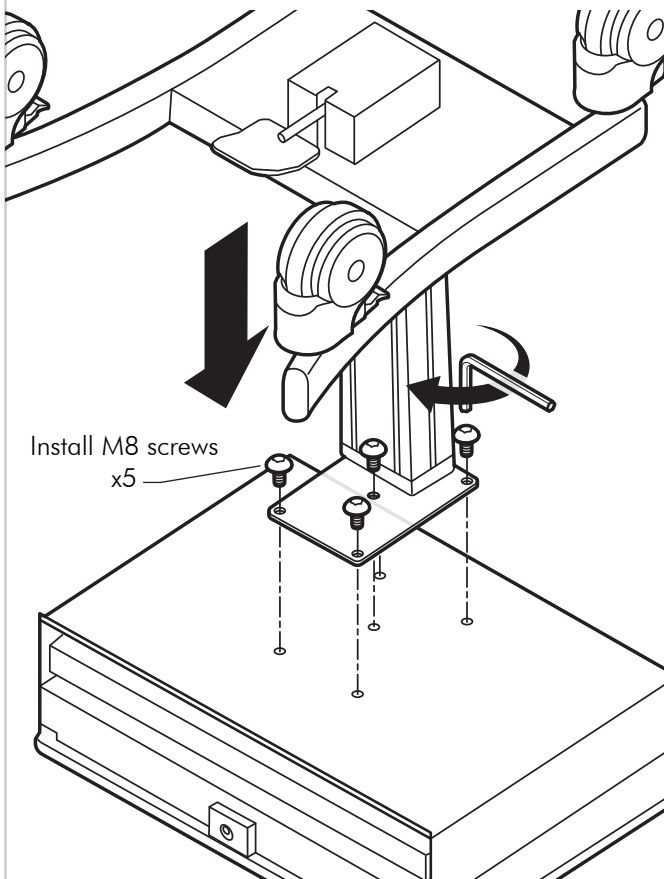
#### Step 5. Replace cover trays

Replace both cover trays with 4x **M4 screws** and the phillips screwdriver.



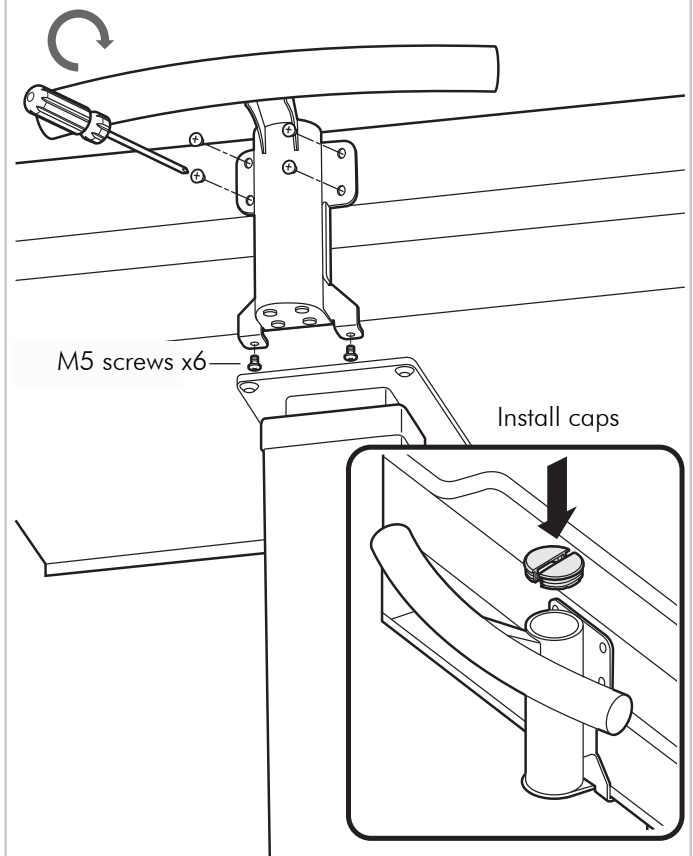
#### Step 6. Attach post and base to top cabinet

**Note:** This step may require two people to flip the assembly over.



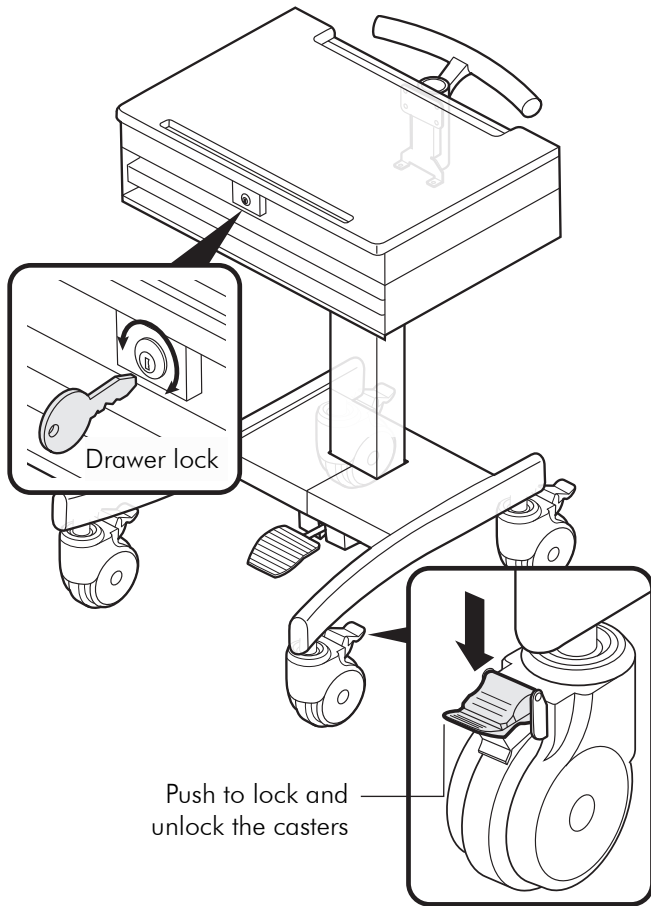
#### Step 7. Attach handle

Attach handle to the back of cabinet top.



### Step 8. Check operation

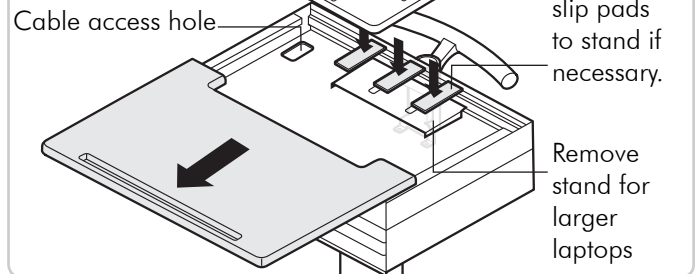
Check the operation of the locking drawer and casters.



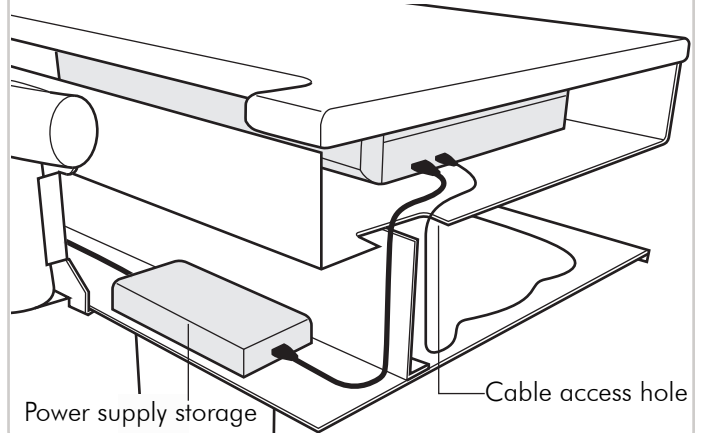
### Step 9. Slide open to insert laptop

Slide the cabinet top open to place the laptop. Slide closed and lock to secure laptop.

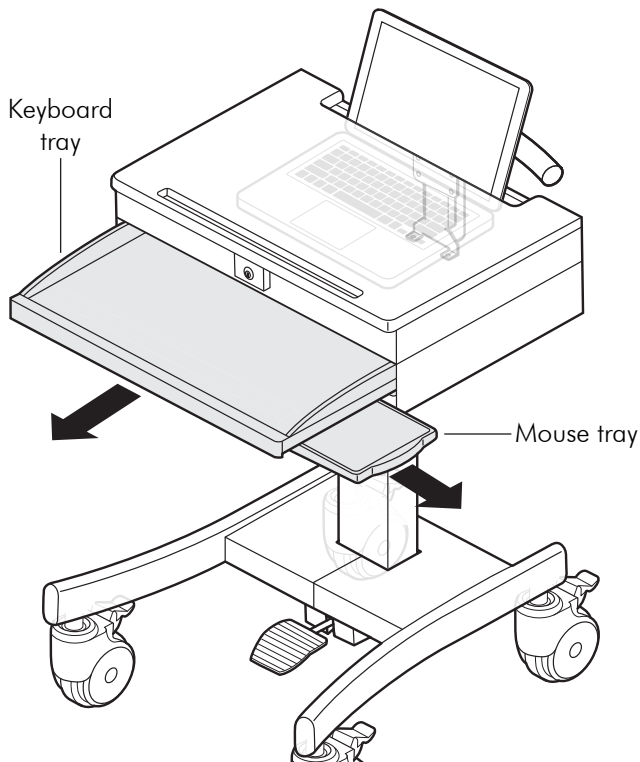
Cable access hole



### Step 10. Route cables



### Step 11. Keyboard and mouse tray



### Step 12. How to adjust height

