

Technical Specifications

Notebook Cart

General Features

Colour:
Light Grey / Off White

Notebook/Laptop Compatibility:
Up to 400mm wide

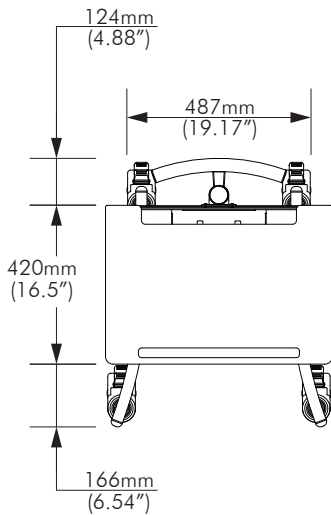
Warranty:
10 years limited

Included Hardware:
All fasteners and mounting hardware is included

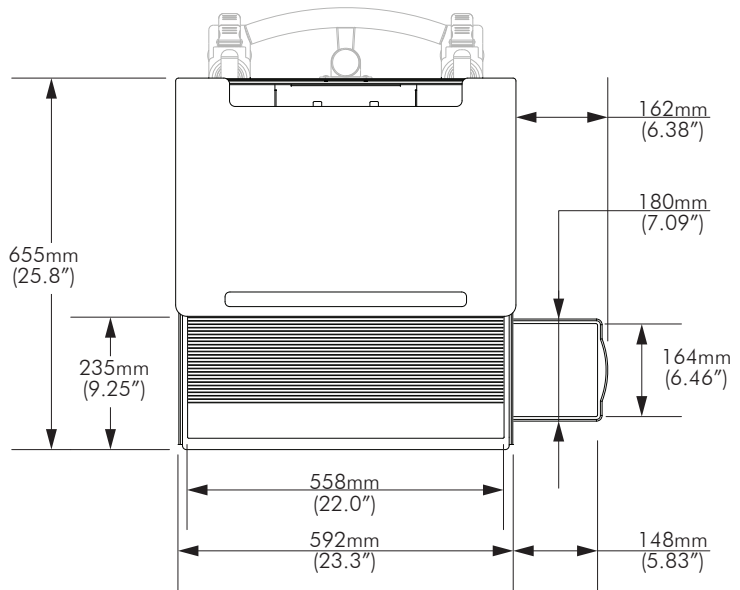
Max. Load
Max. 5kg (11lbs)

Dimensions

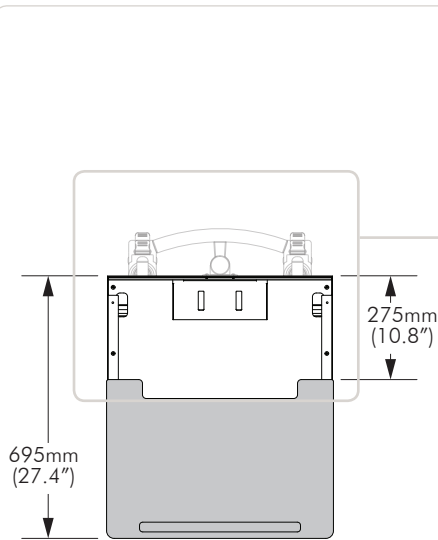
Top View



Closed

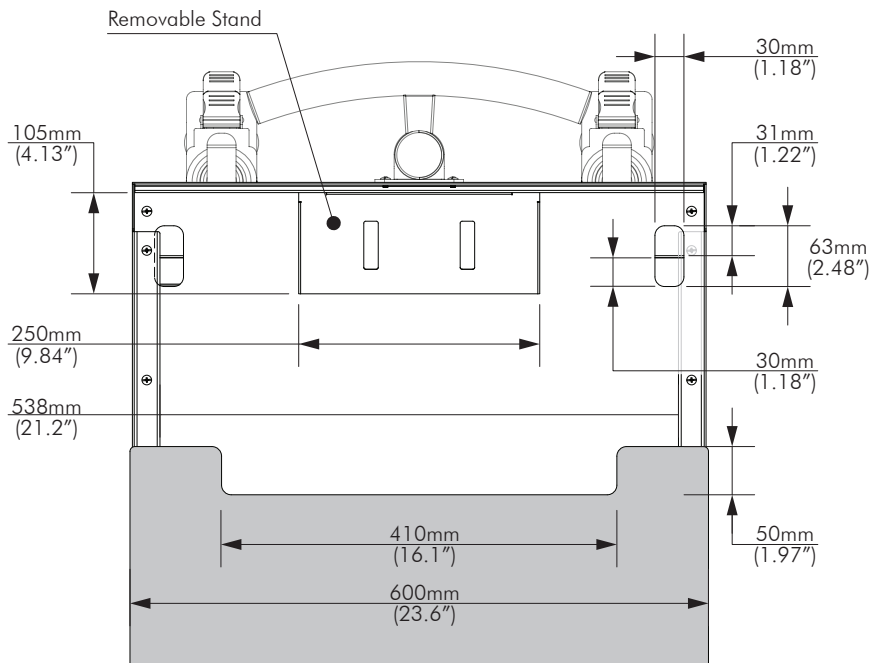


Extended Keyboard Tray & Mouse pad



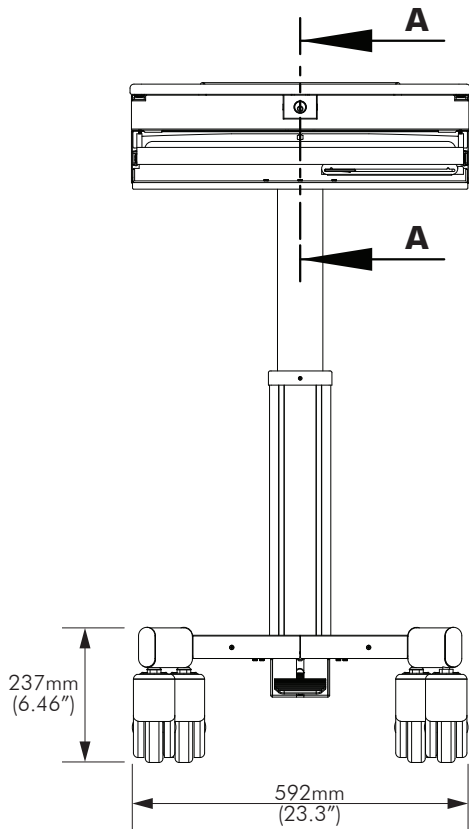
Extended Work surface

Detail View - Extended Work Surface

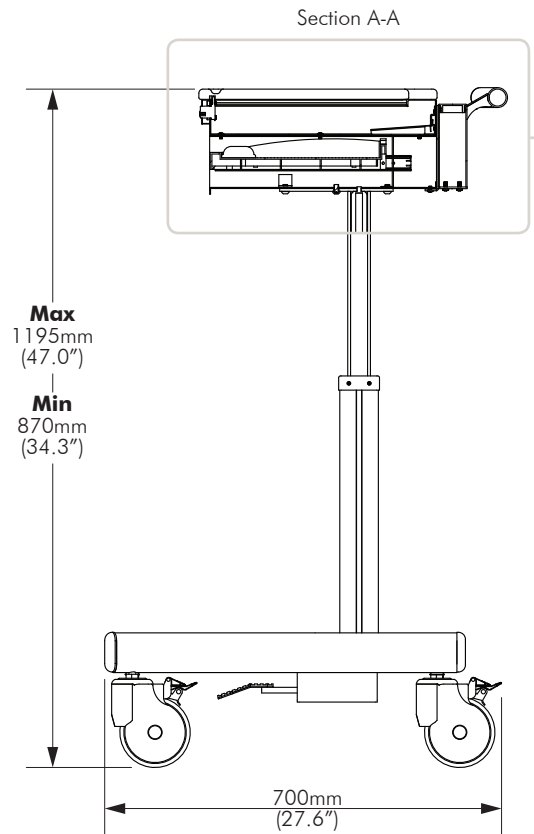


Dimensions - Cont.

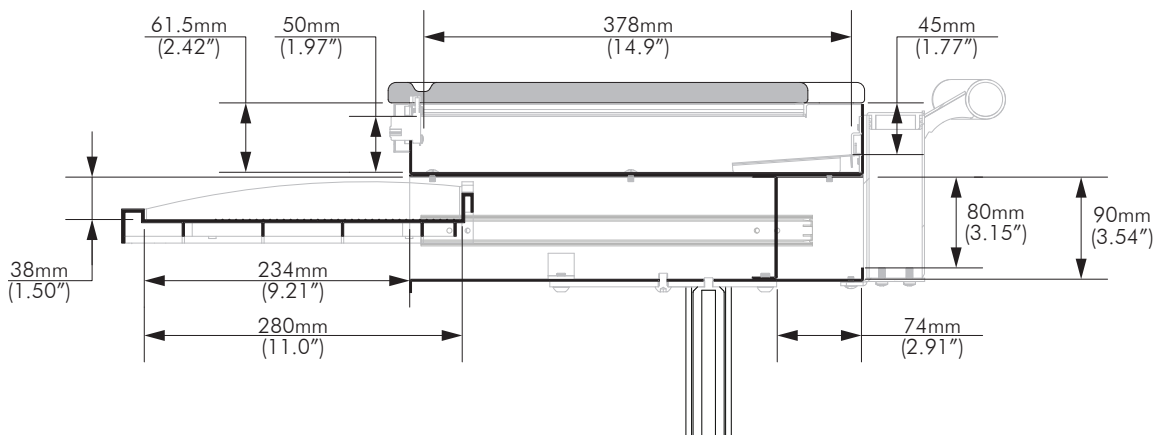
Front View



Side View



Detail View - Section A-A



Installation Complete



No portion of this document or any artwork contained herein should be reproduced in any way without the express written consent of Atdec Pty Ltd. Due to continuing product development, the manufacturer reserves the right to alter specifications without notice. Published 12.05.14 ©