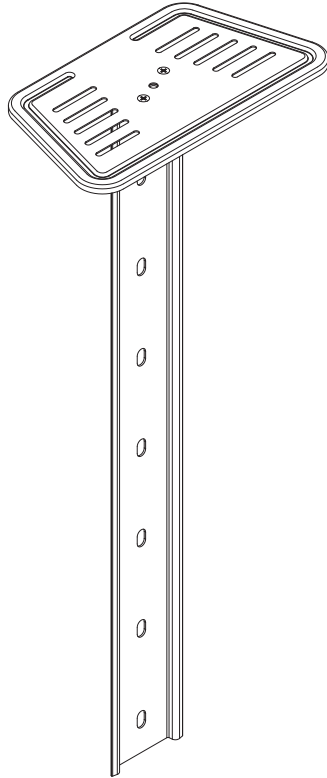
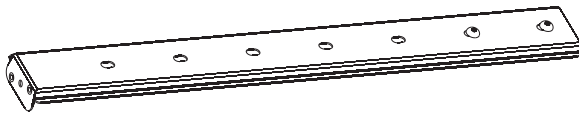


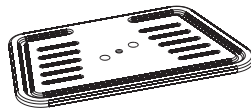
## AV Cart Camera Mount



### COMPONENT CHECKLIST



**A**  
Upright  
Bracket



**B**  
Camera  
Shelf



**C**  
M5x8  
Screw  
(x2)



**D**  
5mm  
Hex Key



**E**  
4mm  
Hex Key



**F**  
Spanner



**G**  
M5x10  
Screw  
(x2)



**H**  
M6x10  
Screw  
(x2)



**I**  
M6  
Flange  
Nut



**J**  
Washer  
(x2)

Floor 

### REQUIRED TOOLS

- Phillips Head Screwdriver

### WEIGHT RANGE

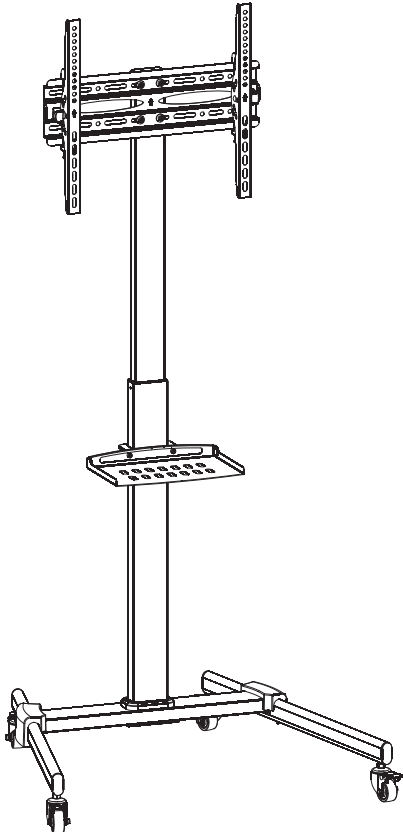
0 - 5kg  
(0 - 11lbs)

### IMPORTANT INFORMATION

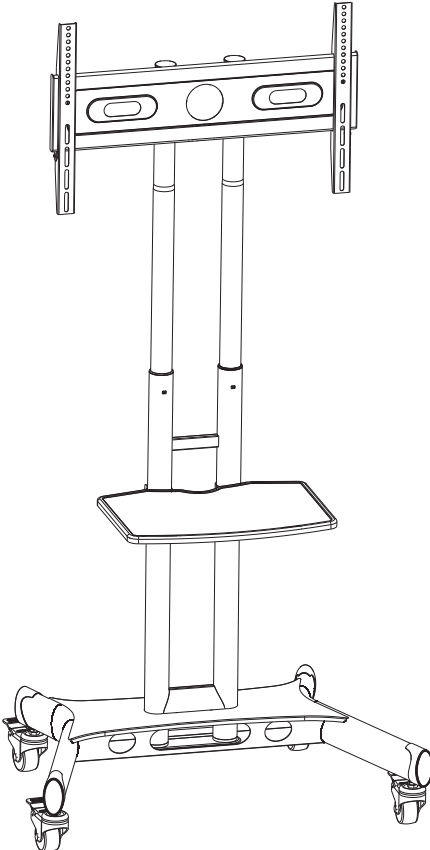
- ! Please ensure this product is installed as per these installation instructions.
- ! Please ensure your preferred device is securely fastened to the mount prior to use or movement.
- ! The manufacturer accepts no responsibility for incorrect installation.
- ! Failure to assemble this product correctly may cause serious injury/death during or following installation.
- ! This product should only be installed by professional installers of good mechanical aptitude, who fully understand these instructions and the consequences of incorrect installation.
- ! Do not over tighten screws.
- ! Two person installation is recommended.
- ! Product not suitable for use outdoors.
- ! After installation is complete check to verify that AV Cart is secure and safe for use.
- ! Curved monitors, deep devices (such as all-in-one PCs), VESA mounted accessories (such as mini PC brackets and mounts), and offset VESA locations exert additional leverage that can exceed the capacity of the mount even though the monitor weight may be within the stated range. Please contact Atdec if you would like further information.
- ! **WARNING!** Death or serious injury may occur when children climb on audio and/or video equipment furniture. A remote control or toys placed on the cart may encourage a child to climb on the cart and as a result the cart may tip over on to the child.

**COMPATIBILITY**

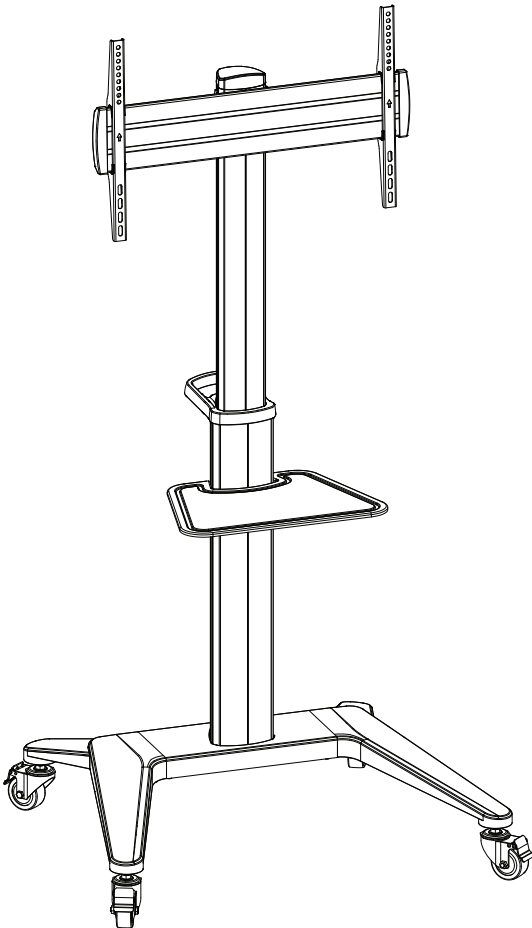
**AD-TVC-20**



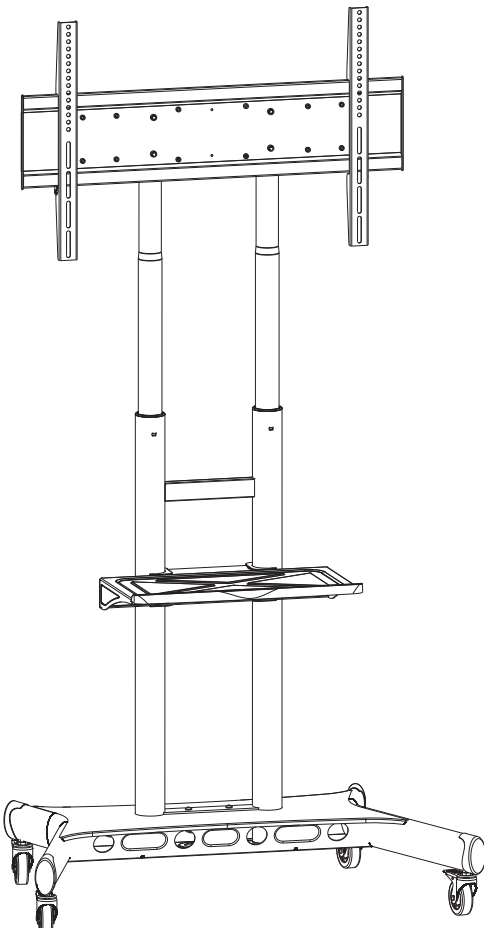
**AD-TVC-45**



**AD-TVC-70A**



**AD-TVC-75**



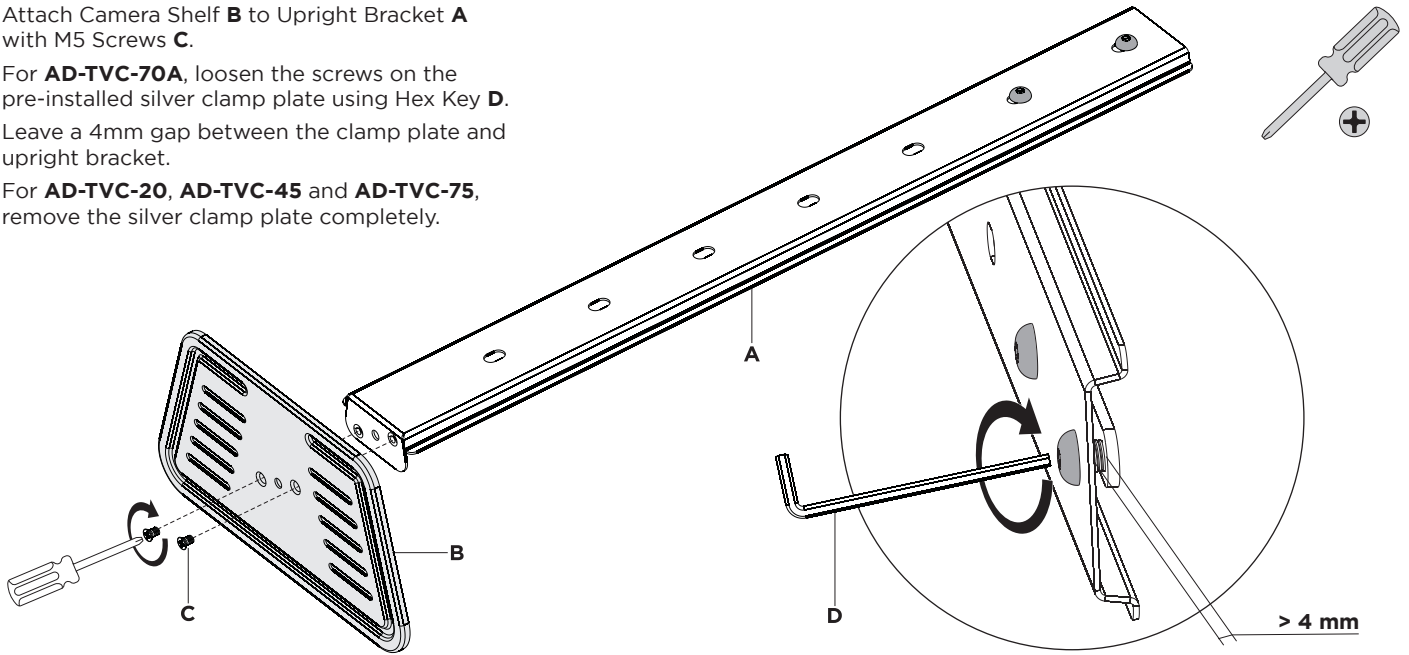
# 1. Construct the Camera Mount Assembly

Attach Camera Shelf **B** to Upright Bracket **A** with M5 Screws **C**.

For **AD-TVC-70A**, loosen the screws on the pre-installed silver clamp plate using Hex Key **D**.

Leave a 4mm gap between the clamp plate and upright bracket.

For **AD-TVC-20**, **AD-TVC-45** and **AD-TVC-75**, remove the silver clamp plate completely.



## A - FOR AD-TVC-20 CART

### A2. Attach the Camera Mount Assembly to the cart

**A2.1.** Remove the rubber cable management grommet from the slot on the cart.

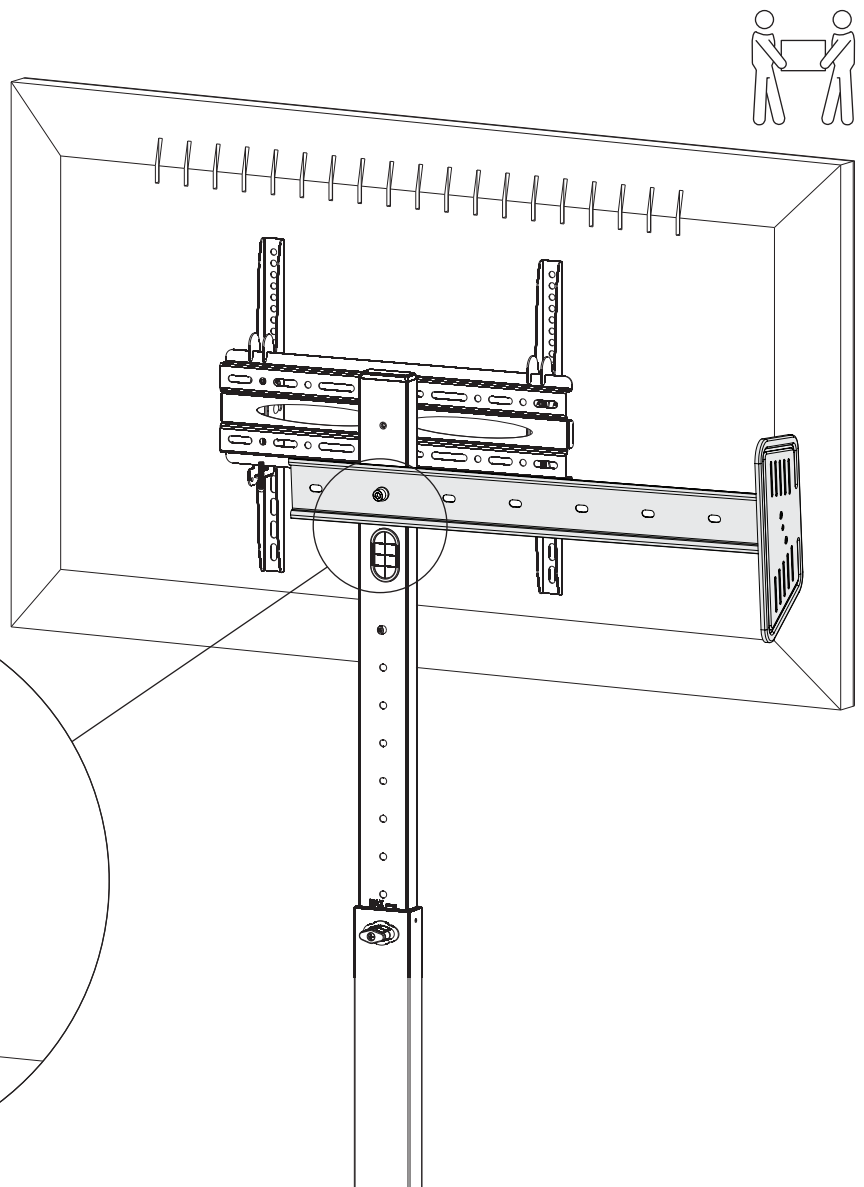
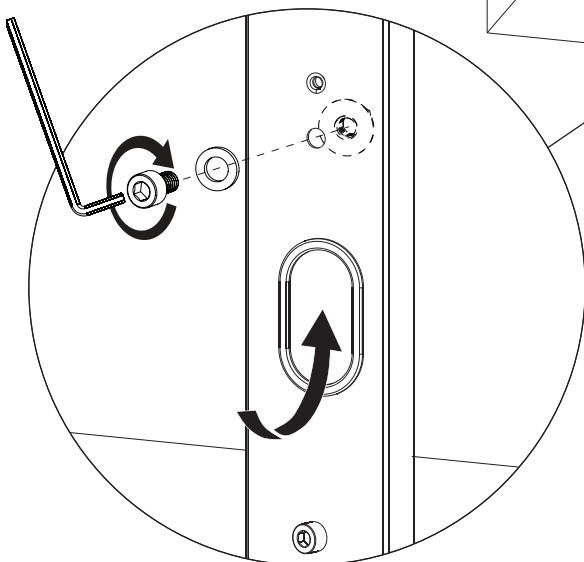
**A2.2.** Determine the two holes needed on Upright Bracket **A** to hold the Camera Mount Assembly at the desired height.

**A2.3.** With assistance, hold the Camera Mount Assembly sideways (as illustrated) and align the lower of the two holes with the hole directly above the cable management slot on the cart.

**A2.4.** Insert M6 Screw **H** with Washer **J** through Upright Bracket **A** and into the hole on the cart.

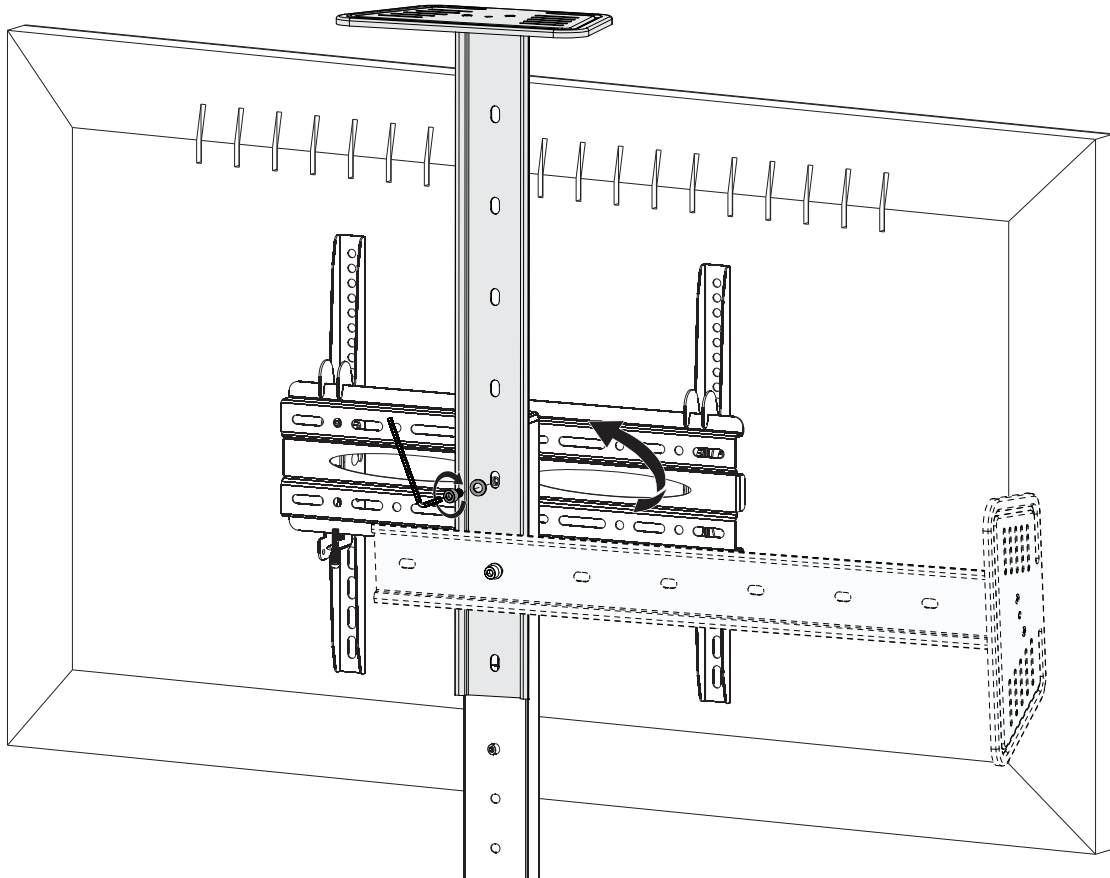
**A2.5.** Attach M6 Flange Nut **I** to M6 Screw **H** inside the cart column through the cable management slot. Tighten using 5mm Hex Key **D**.

**TIP:** Use Spanner **F** to support M6 Flange Nut **I** whilst tightening M6 Screw **H**.



### A3. Secure the Camera Mount Assembly to the cart

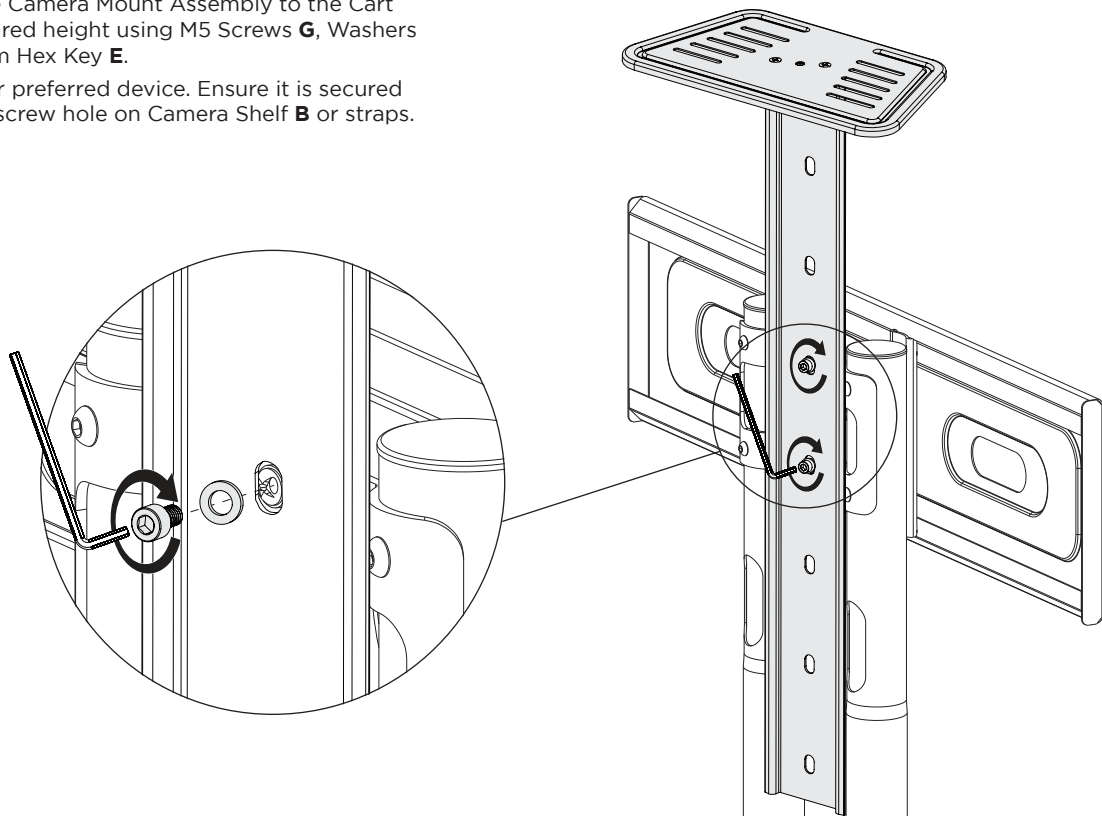
- A3.1.** Rotate the camera mount assembly to its final position and secure it to the top hole on the cart using M6 Screw **H**, Washer **J** and 5mm Hex Key **D**.
- A3.2.** Install your preferred device. Ensure it is secured using the screw hole on Camera Shelf **B** or straps.



### B - FOR AD-TVC-45 CART

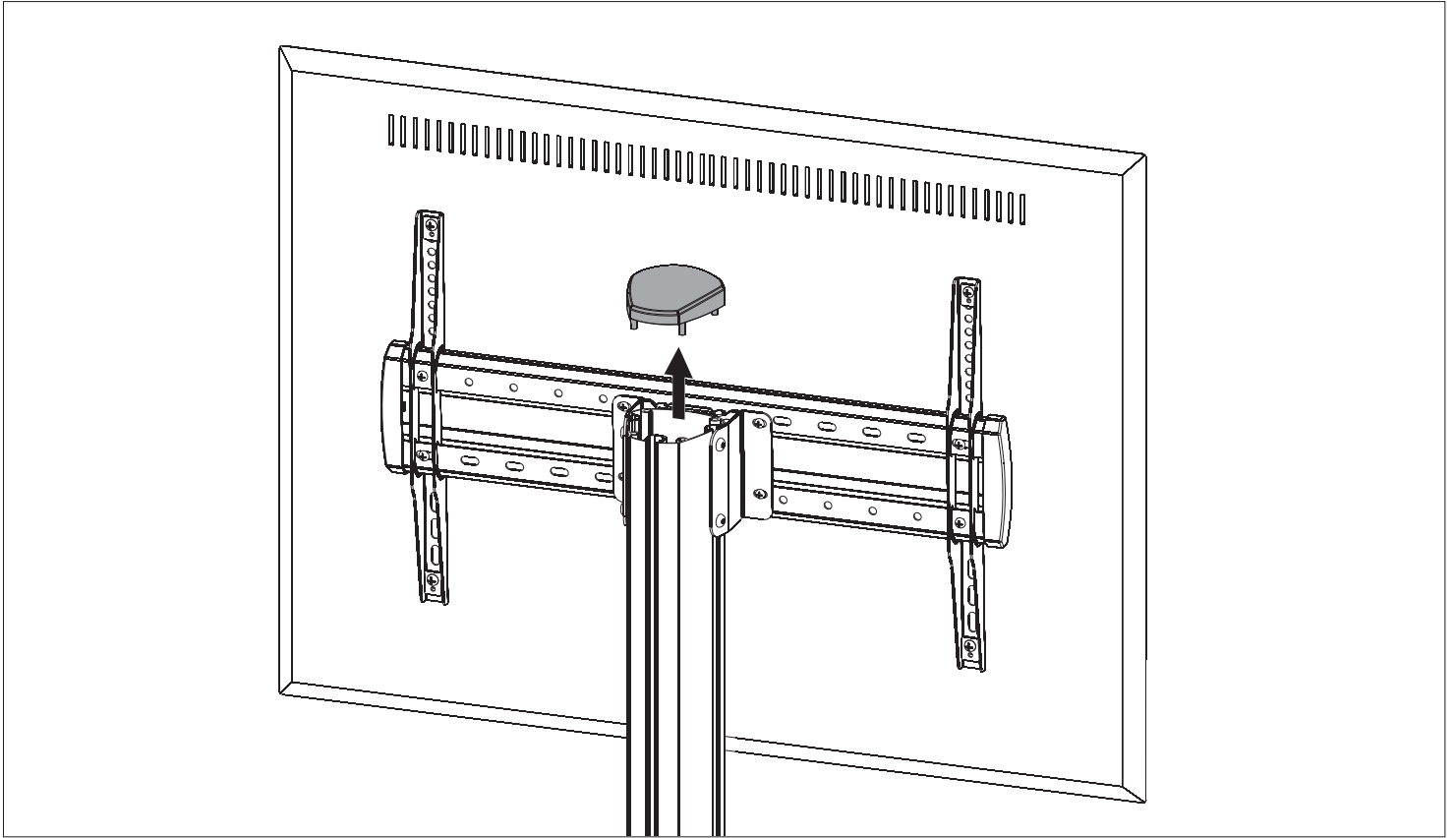
#### B2. Attach the Camera Mount Assembly to the cart

- B2.1.** Fasten the Camera Mount Assembly to the Cart at the desired height using M5 Screws **G**, Washers **J** and 4mm Hex Key **E**.
- B2.2.** Install your preferred device. Ensure it is secured using the screw hole on Camera Shelf **B** or straps.



## C - FOR AD-TVC-70A CART

### C2. Remove Top Cap from the cart

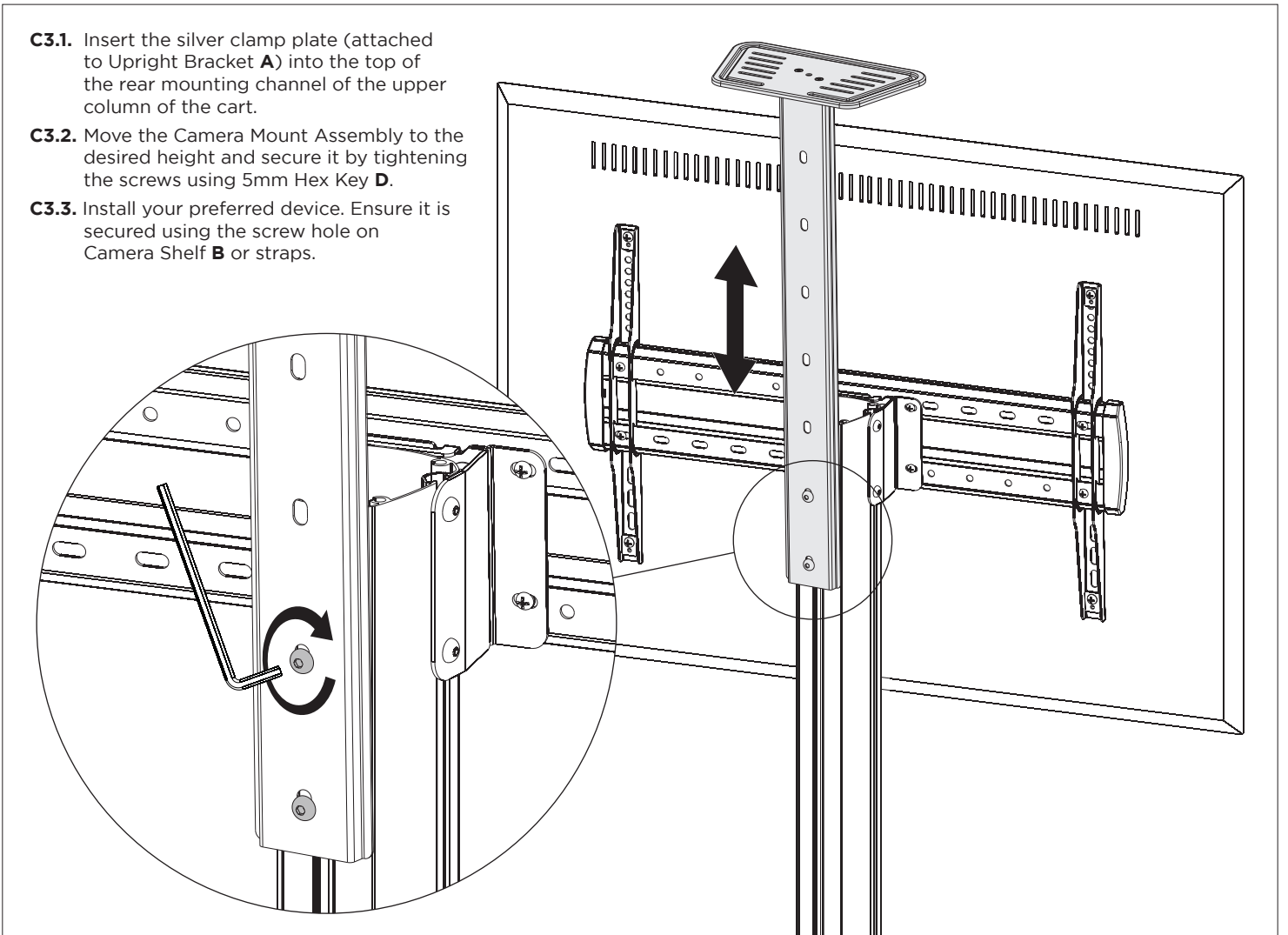


### C3. Attach Camera Mount

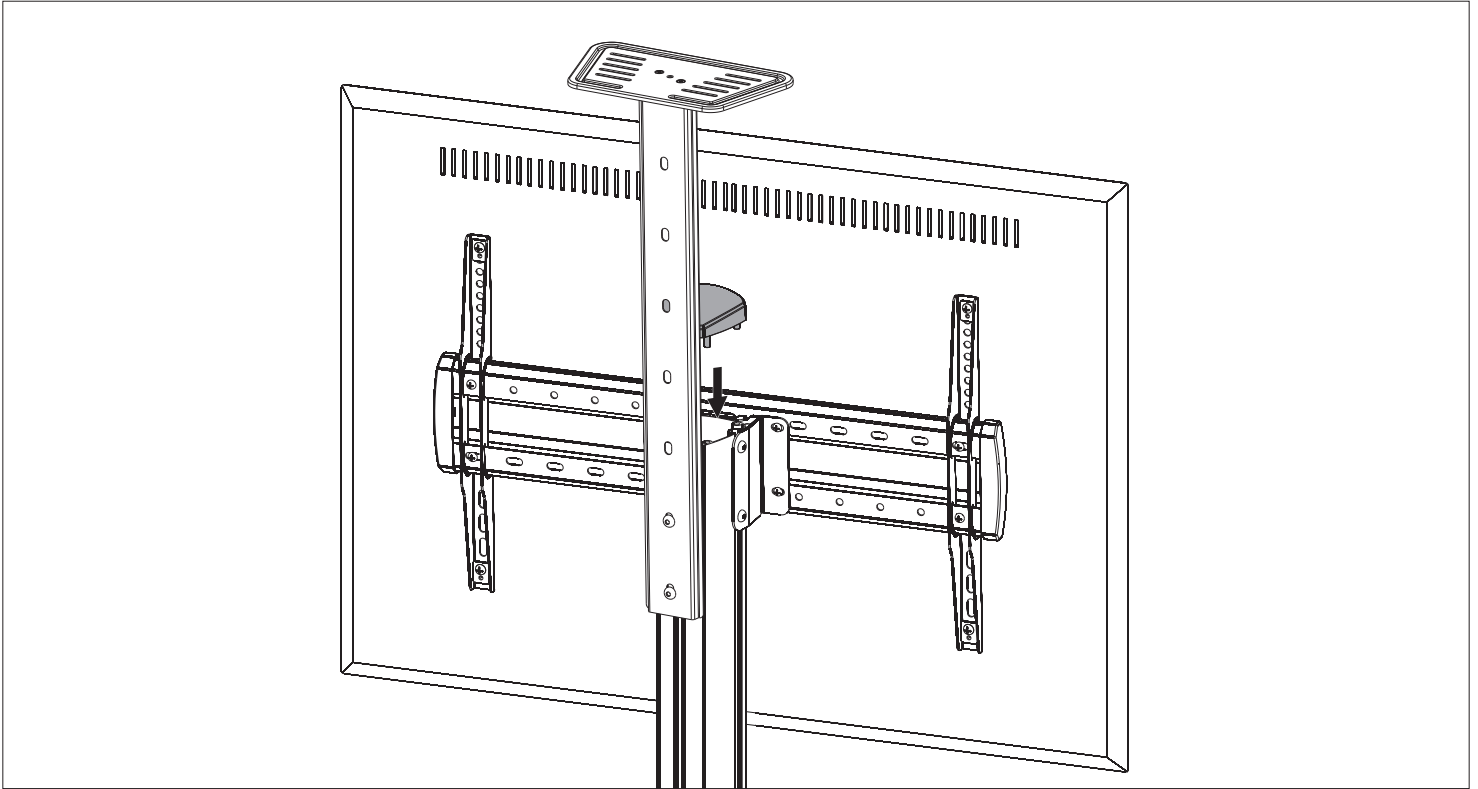
**C3.1.** Insert the silver clamp plate (attached to Upright Bracket **A**) into the top of the rear mounting channel of the upper column of the cart.

**C3.2.** Move the Camera Mount Assembly to the desired height and secure it by tightening the screws using 5mm Hex Key **D**.

**C3.3.** Install your preferred device. Ensure it is secured using the screw hole on Camera Shelf **B** or straps.



## C4. Replace Top Cap

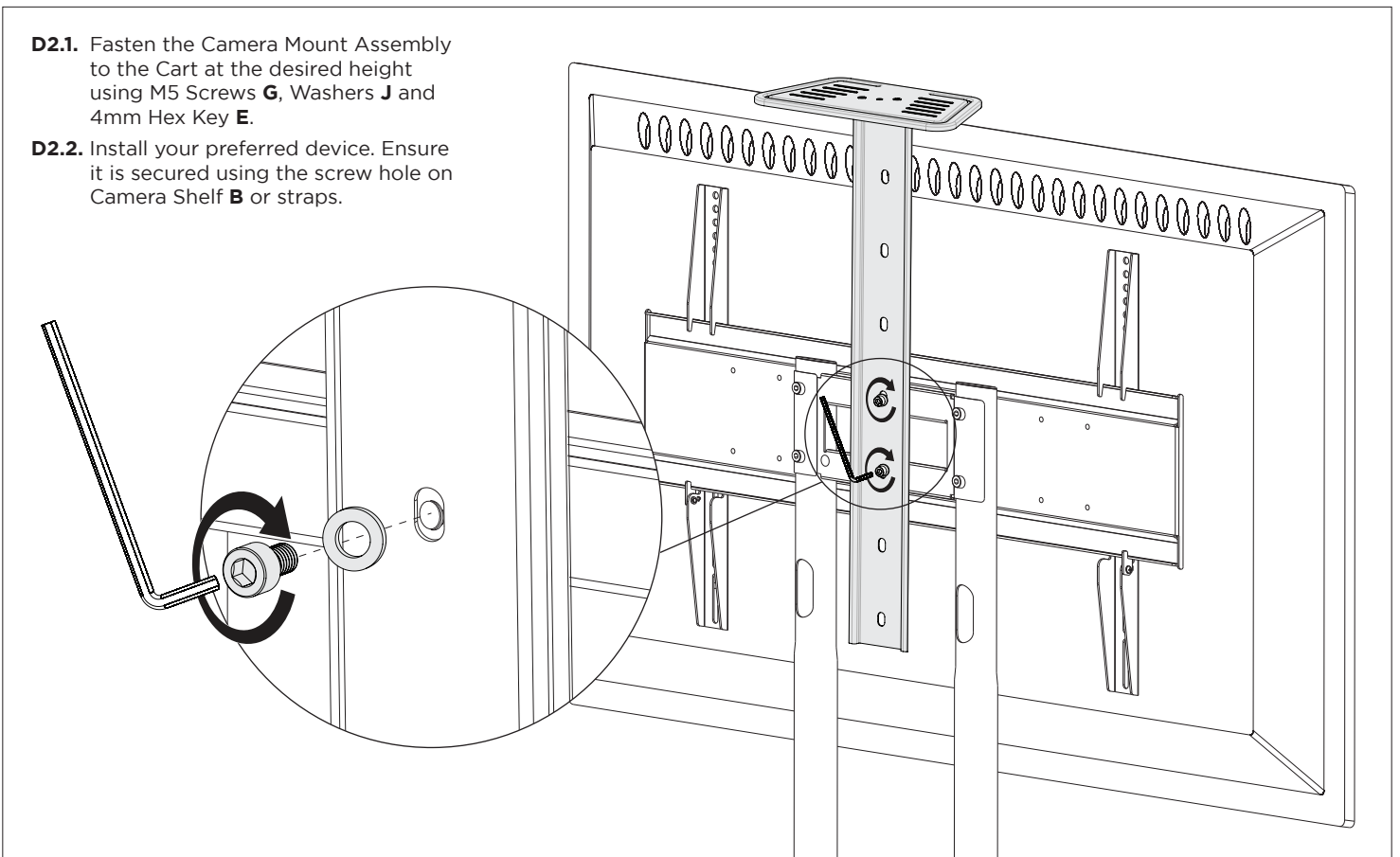


## D - FOR AD-TVC-75 CART

### D2. Attach camera mount assembly to cart

**D2.1.** Fasten the Camera Mount Assembly to the Cart at the desired height using M5 Screws **G**, Washers **J** and 4mm Hex Key **E**.

**D2.2.** Install your preferred device. Ensure it is secured using the screw hole on Camera Shelf **B** or straps.



## MAINTENANCE

- Tighten fasteners and check if the cart is secure and safe to use at regular intervals (at least every three months.)
- Please contact your distributor if you have any questions.