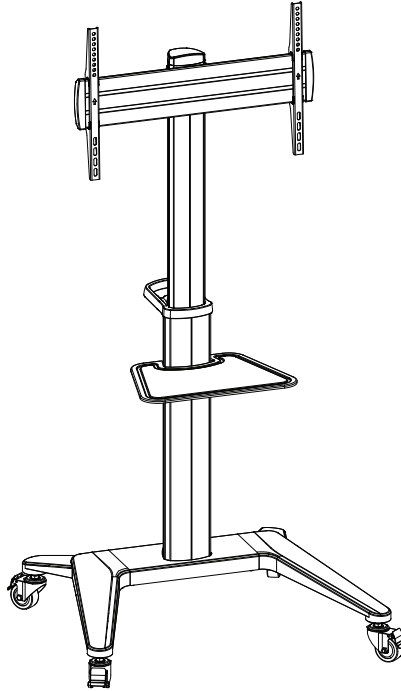
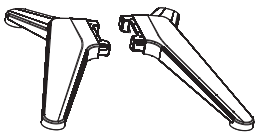


## AV Cart 70



### COMPONENT CHECKLIST



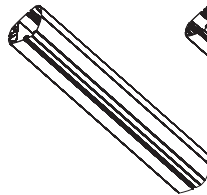
**A** Left Leg  
**B** Right Leg



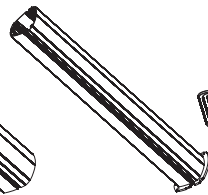
**C** Cross-Bracket



**D** Castor  
(x4)



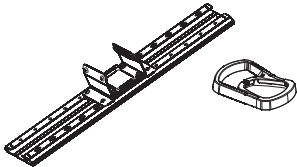
**E** Lower Column



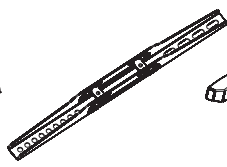
**F** Upper Column



**G** Shelf



**H** Mounting  
Plate  
Assembly  
**I** Handle



**J** VESA  
Bracket  
(x2)



**K** End Cap  
(x2)



**L** Top Cap



**M** Cable  
Cover  
(x8)



**N** Washer  
(x4)



**O** M8x80  
Screw  
(x4)



**P** M8x20  
Screw  
(x12)



**Q** M6x12  
Screw  
(x4)



**R** Wrench



**S** 5mm  
Allen  
Key



**T** 6mm  
Allen  
Key



**M-A** M5x14  
Screw  
(x4)



**M-B** M6x14  
Screw  
(x4)



**M-C** M6x30  
Screw  
(x4)



**M-D** M8x30  
Screw  
(x4)



**M-E** M8x50  
Screw  
(x4)



**M-F** Multi  
Washer  
(x4)



**M-G** Short  
Spacer  
(x8)



**M-H** Long  
Spacer  
(x8)

Floor 

### REQUIRED TOOLS

- Phillips Head Screwdriver

### CAPACITY

**DISPLAY SIZE**  
40" - 70"

### DISPLAY WEIGHT

0 - 70kg  
(0 - 154lbs)

### SHELF WEIGHT

0 - 5kg  
(0 - 11lbs)

### IMPORTANT INFORMATION

- ! **Please ensure this product is installed as per these installation instructions.**
- ! The manufacturer accepts no responsibility for incorrect installation.
- ! Failure to assemble this product correctly may cause serious injury/death during or following installation.
- ! This product should only be installed by professional installers of good mechanical aptitude, who fully understand these instructions and the consequences of incorrect installation.
- ! Do not over tighten screws.
- ! Two person installation is recommended.
- ! Product not suitable for use outdoors.
- ! After installation is complete check to verify that AV Cart is secure and safe for use.
- ! Curved monitors, deep devices (such as all-in-one PCs), VESA mounted accessories (such as mini PC brackets and mounts), and offset VESA locations exert additional leverage that can exceed the capacity of the mount even though the monitor weight may be within the stated range. Please contact Atdec if you would like further information.
- ! **WARNING!** Death or serious injury may occur when children climb on audio and/or video equipment furniture. A remote control or toys placed on the cart may encourage a child to climb on the cart and as a result the cart may tip over on to the child.

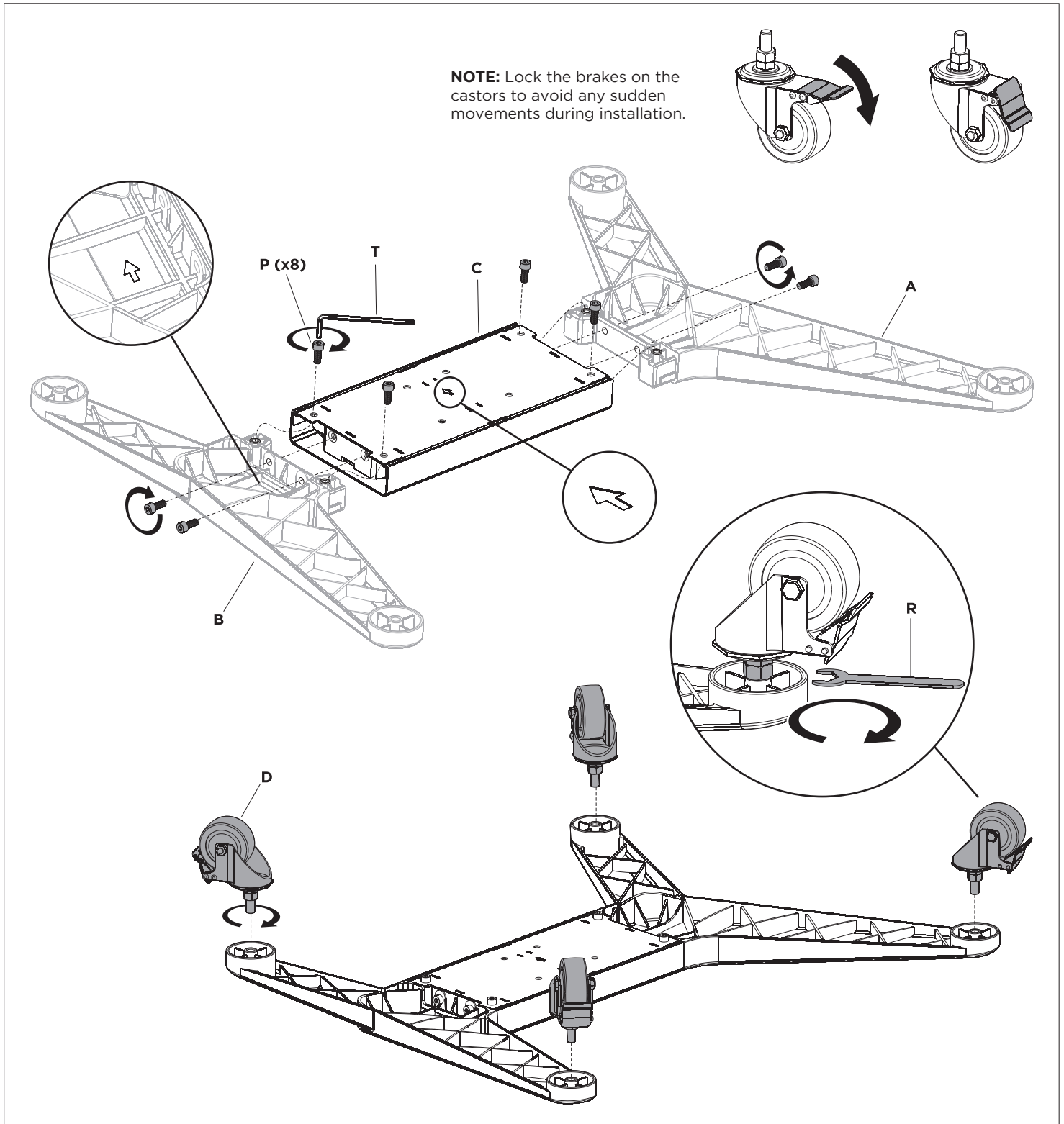


**WARNING!**

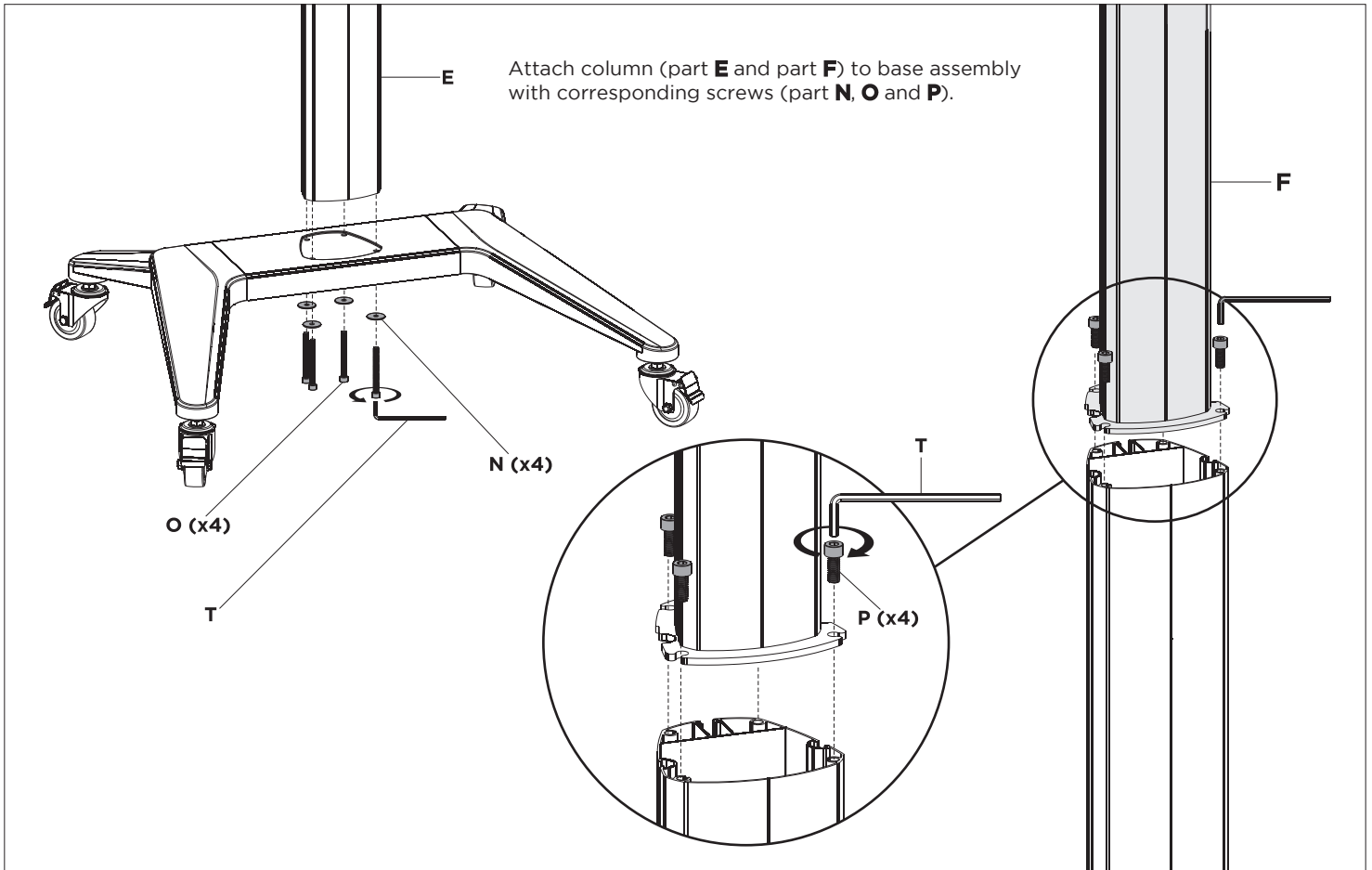
- ! DO NOT ALLOW CHILDREN UNDER 16 TO PLAY WITH OR MOVE CART
- ! MOVE CART SLOWLY
- ! USE WITH DISPLAYS HEAVIER AND/OR LARGER THAN SPECIFIED MAY RESULT IN INSTABILITY, TIP OVER AND RISK OF DEATH OR SERIOUS INJURY

ONLY ADULTS SHOULD MOVE THIS CART	DO NOT APPLY MOVING FORCE ON FRONT OR BACK	DO NOT APPLY FORCE AT TOP	DO NOT PULL	APPLY FORCE ON NARROW SIDES PUSH NEAR MIDDLE	LOCK BRAKES WHEN STATIONARY	UNLOCK BRAKES BEFORE MOVING

## 1. Assemble the Base

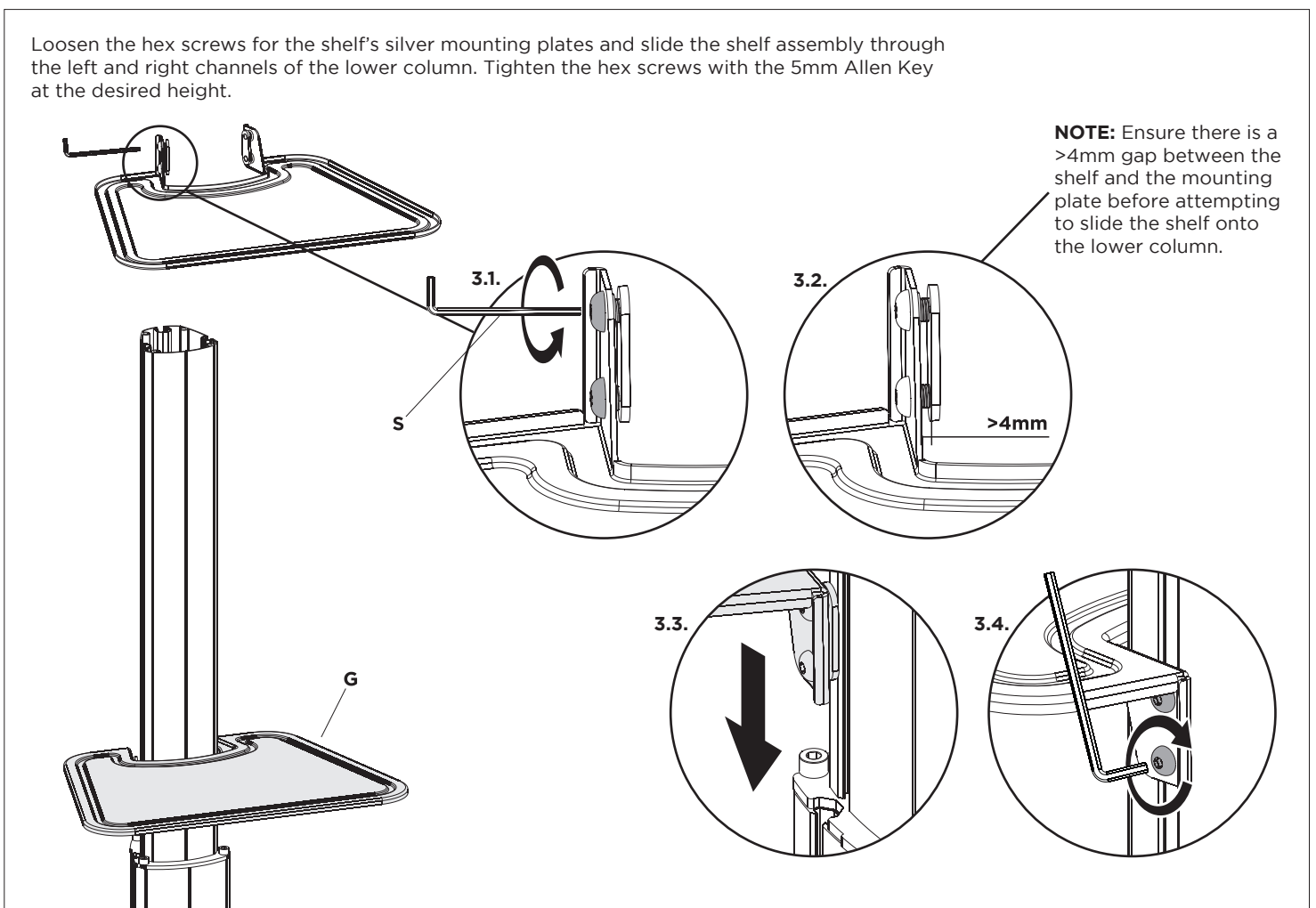


## 2. Assemble the Column



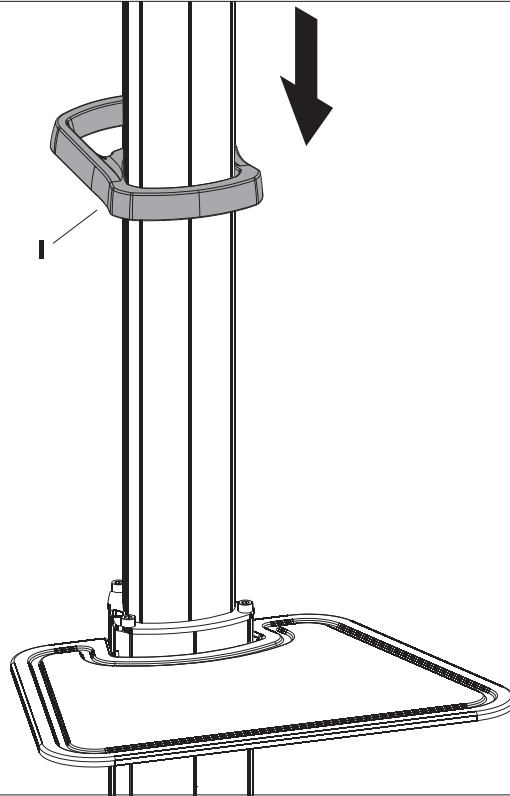
## 3. Attach Shelf

Loosen the hex screws for the shelf's silver mounting plates and slide the shelf assembly through the left and right channels of the lower column. Tighten the hex screws with the 5mm Allen Key at the desired height.

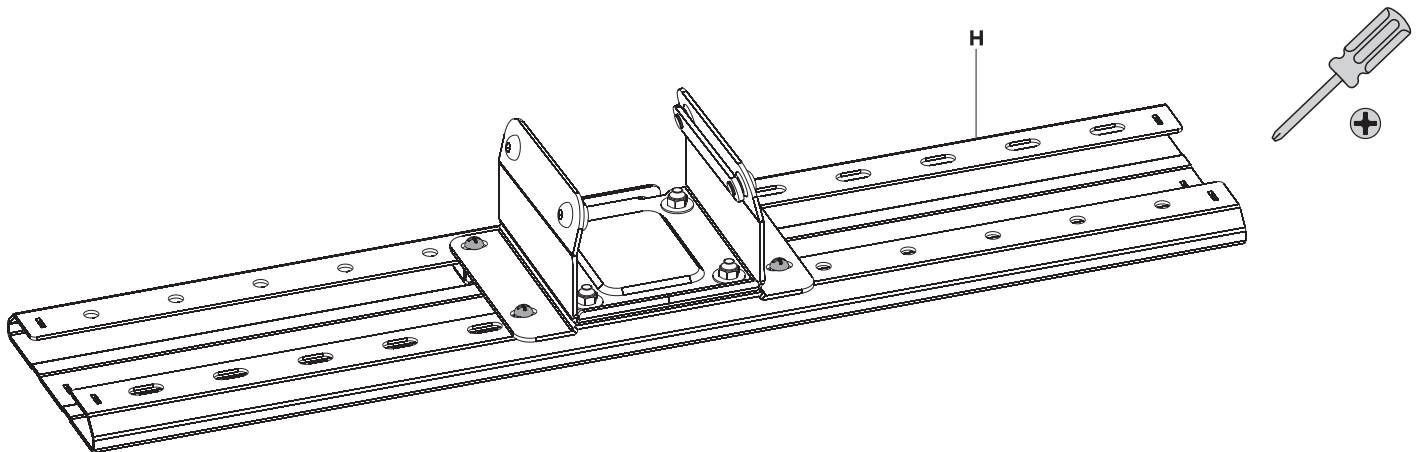


## 4. Secure Handle

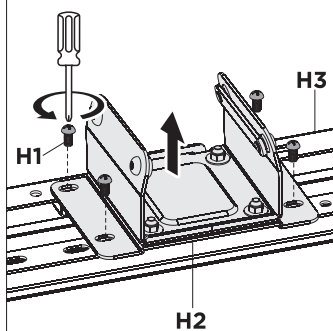
Slide handle (part **I**) over column and secure at part **E** and **F** by gently pulling the handle apart to allow it to snap in place.



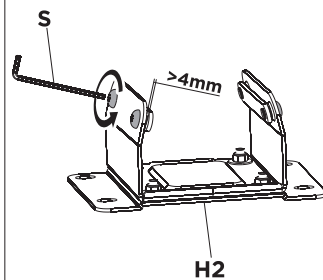
## 5. Attaching the bracket to the column



**5.1.** Unscrew the bracket assembly from the display rail.

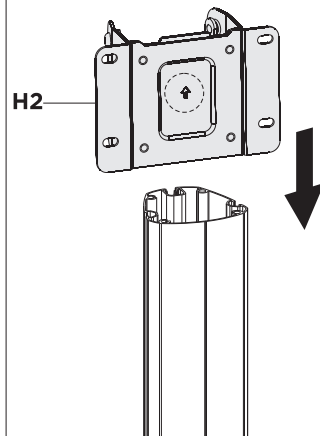


**5.2.** Loosen the hex screws for the silver mounting plates.

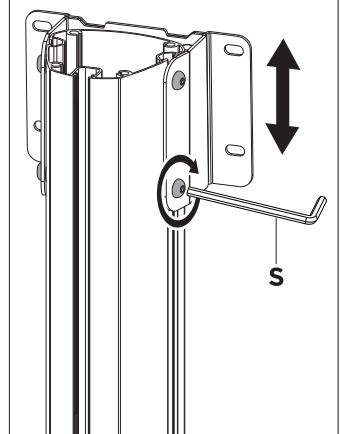


**NOTE:** Ensure there is a >4mm gap before attempting to slide the shelf onto the upper column.

**5.3.** Slide the mounting plates through the left and right channels of the upper column.

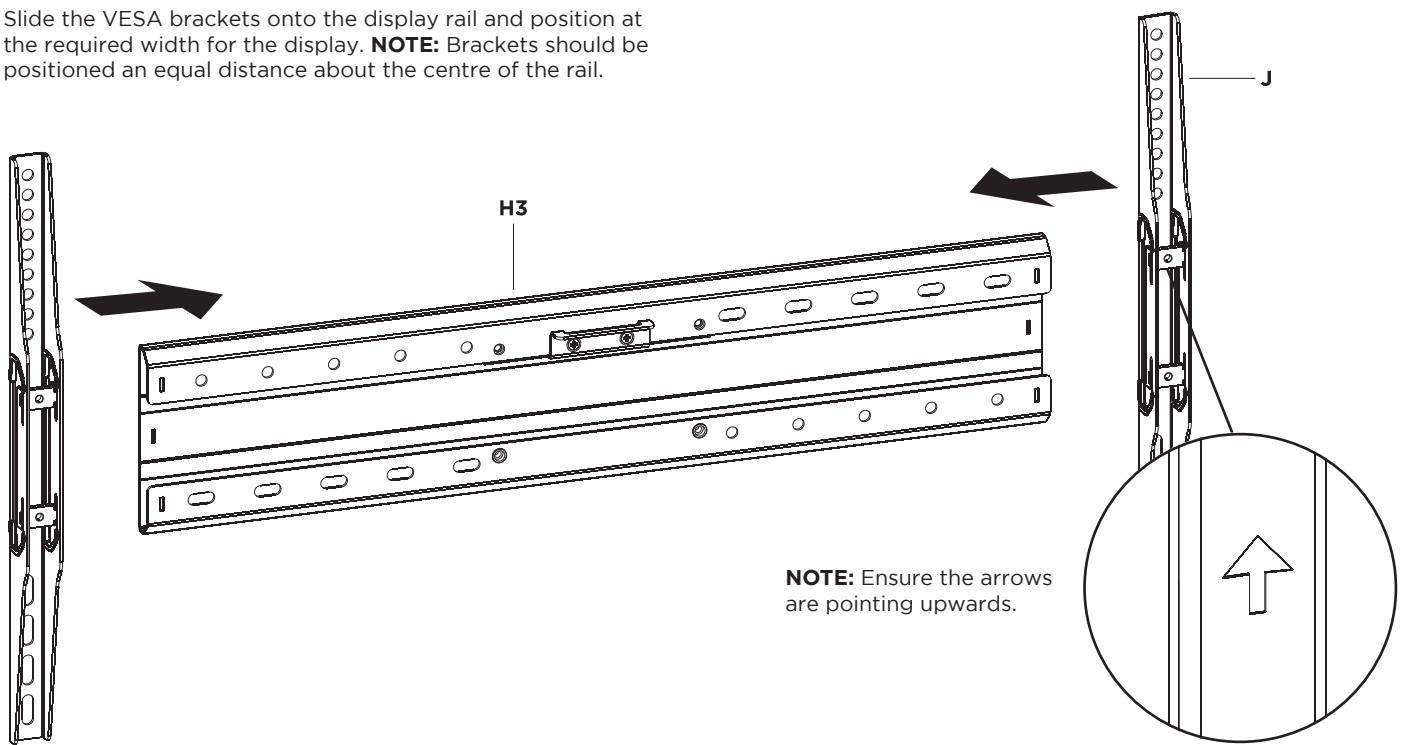


**5.4.** Firmly tighten the hex screws to secure the bracket at the desired height for the display.



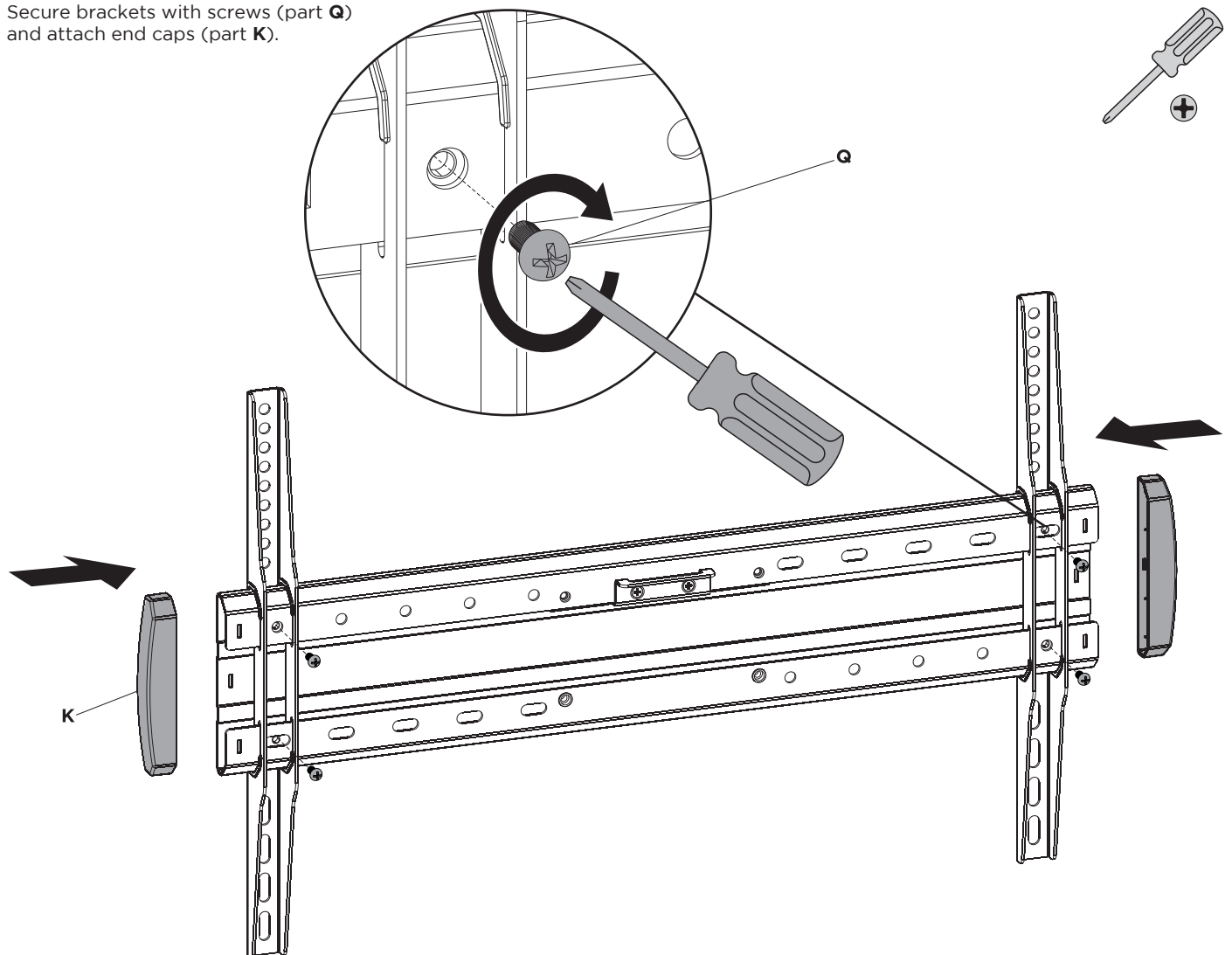
## 6. Position VESA Brackets on mounting plate

Slide the VESA brackets onto the display rail and position at the required width for the display. **NOTE:** Brackets should be positioned an equal distance about the centre of the rail.

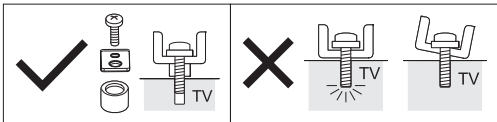


## 7. Attaching End Caps to mounting plate

Secure brackets with screws (part **Q**) and attach end caps (part **K**).

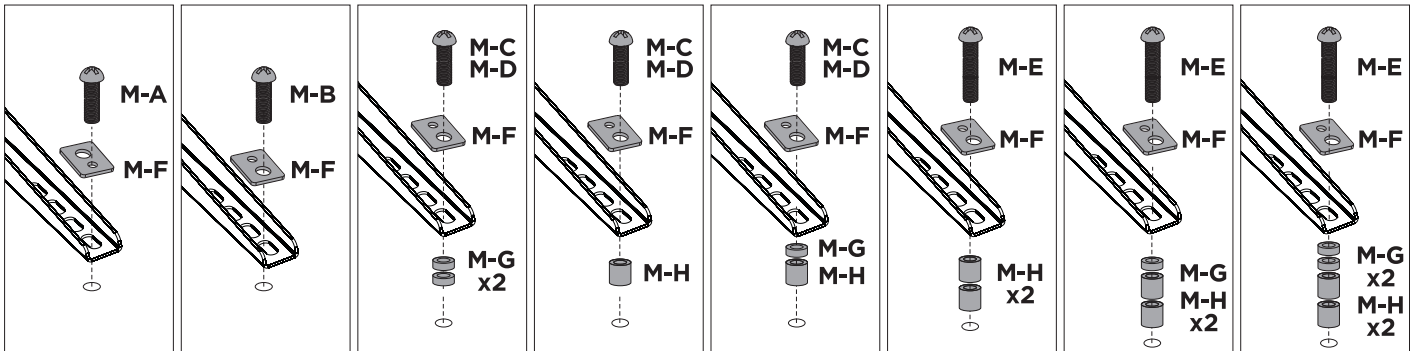
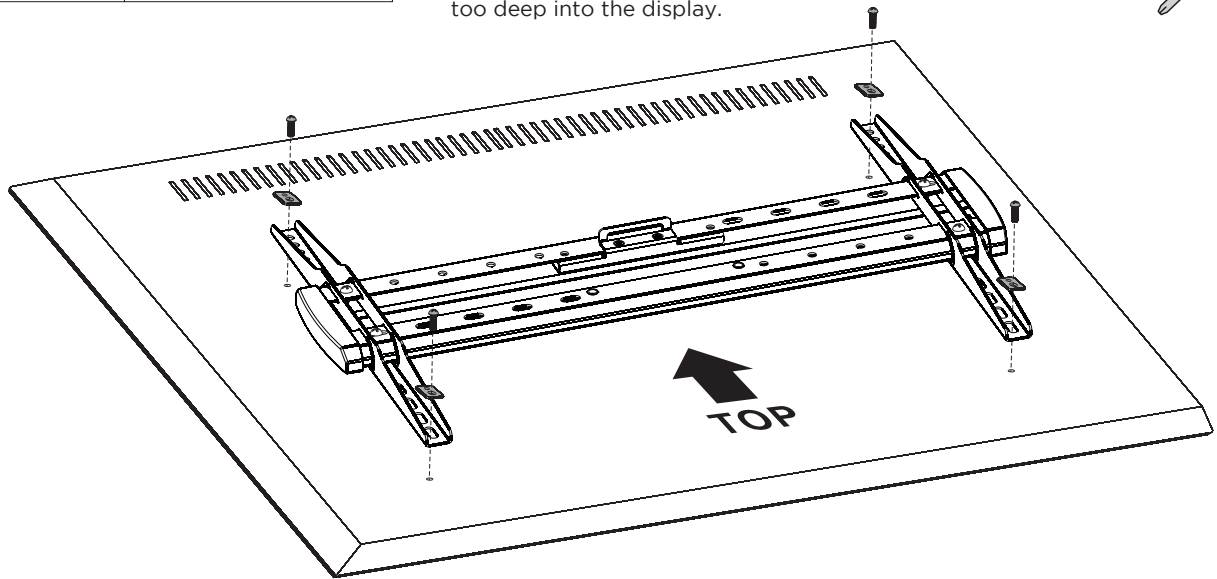
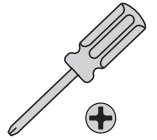


## 8. Attach Display to Bracket



### NOTE:

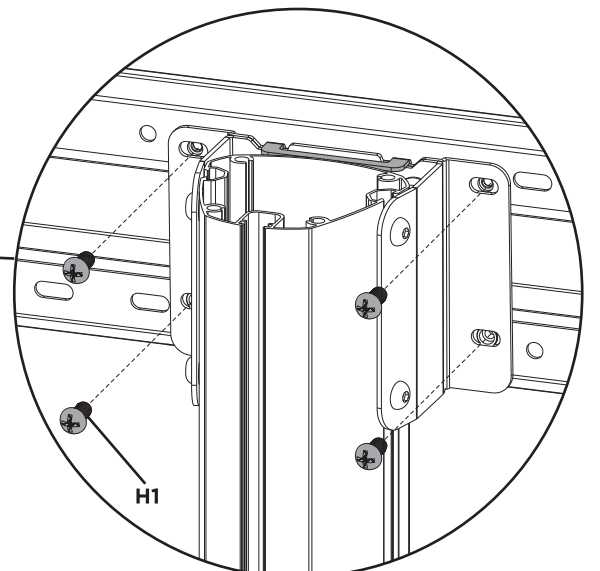
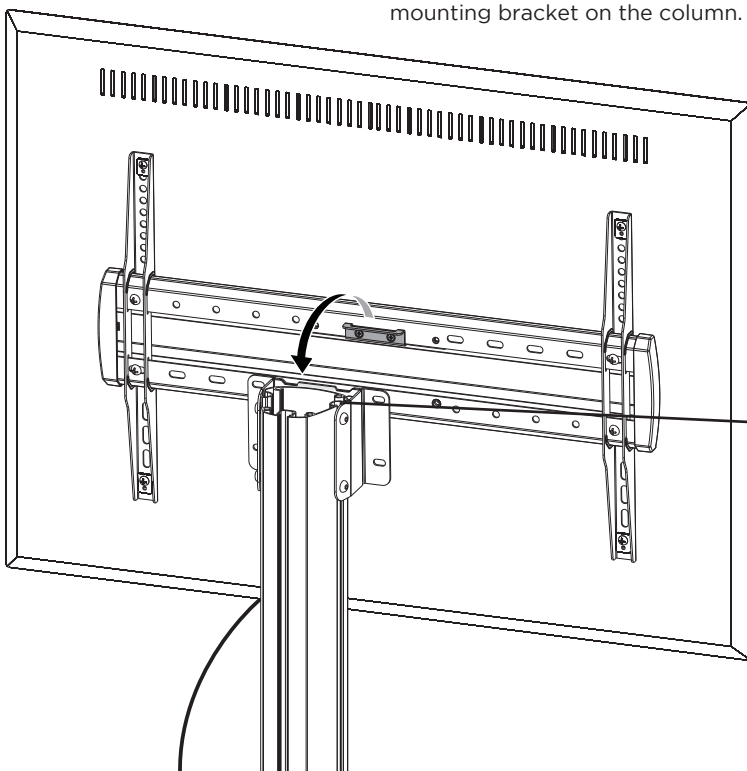
- Always use a multi-washer.
- Use the shortest combination of spacers (if necessary) ensuring the display is not loose and screws are not forced too deep into the display.



## 9. Secure Screen

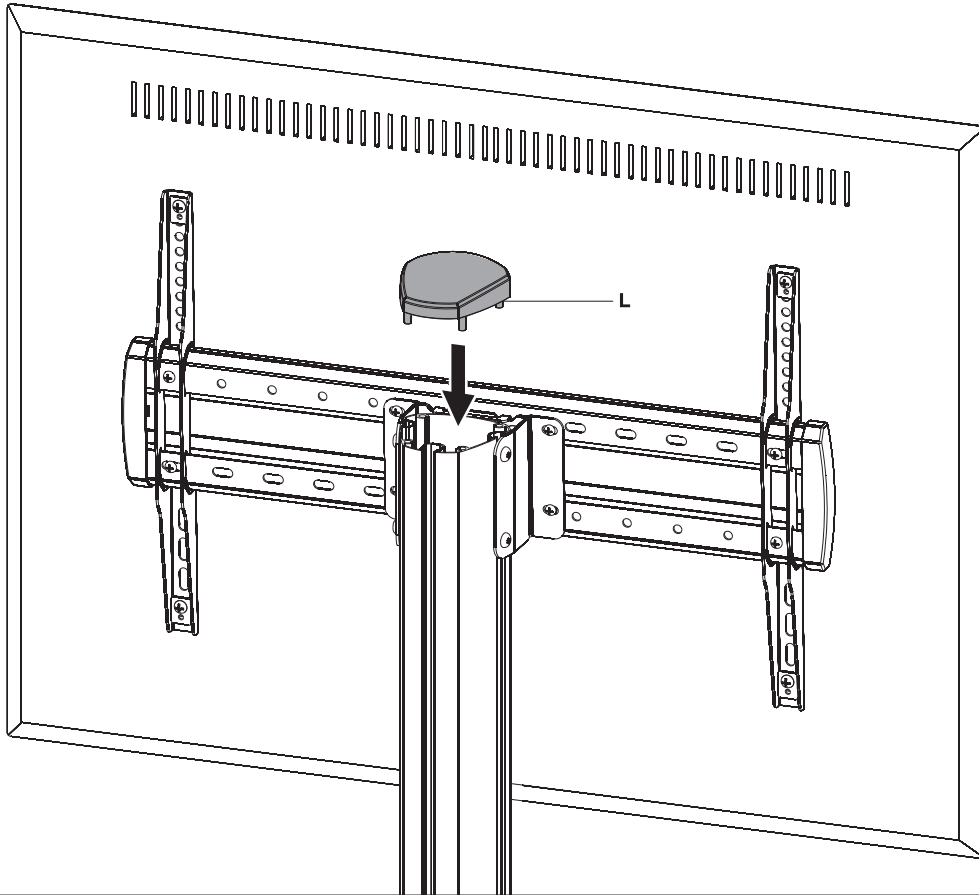
**9.1.** Hook the display rail onto the mounting bracket on the column.

**9.2.** Secure the rail to the bracket using screws (part **H1**) removed in Step 5.1.  
**NOTE:** Display must be supported until screws are fastened to rail.

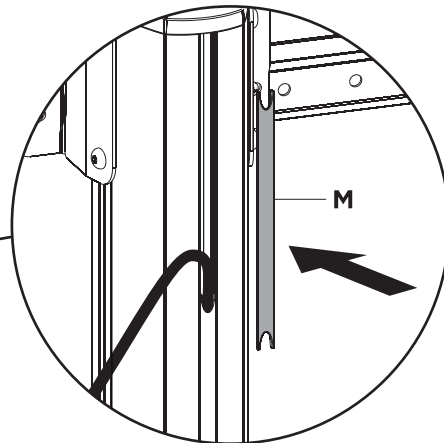
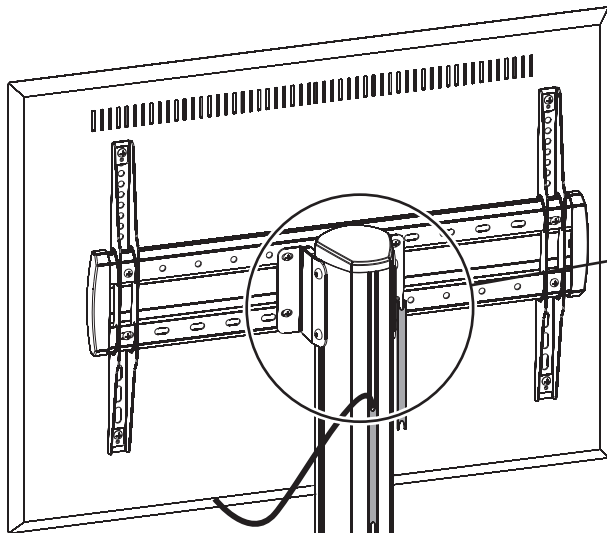


## 10. Assemble Cap

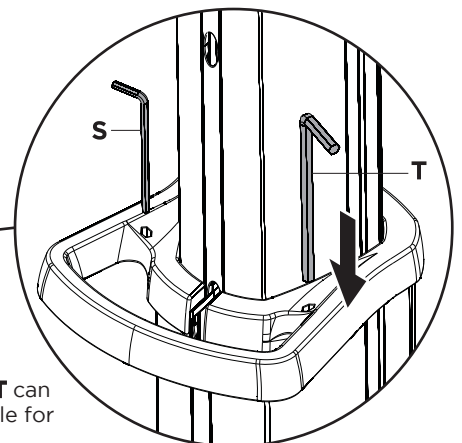
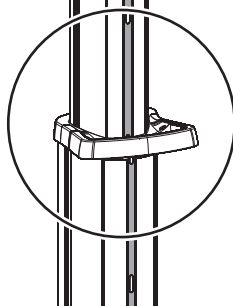
Install the top cap (part **L**) to the upper column.



## 11. Cable Management



**11.1.** To organise cables, insert them into the channel at the rear of the columns and secure by pressing the rubber cable covers into the rear column channel.



**11.2.** Allen key **S** and **T** can be stored in the handle for your convenience.

## MAINTENANCE

- Tighten fasteners and check if the cart is secure and safe to use at regular intervals (at least every three months.)
- Please contact your distributor if you have any questions.