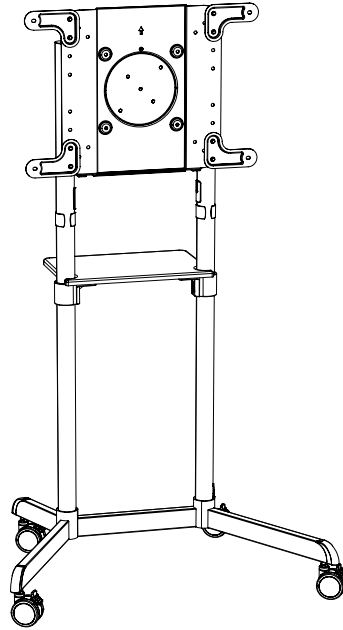
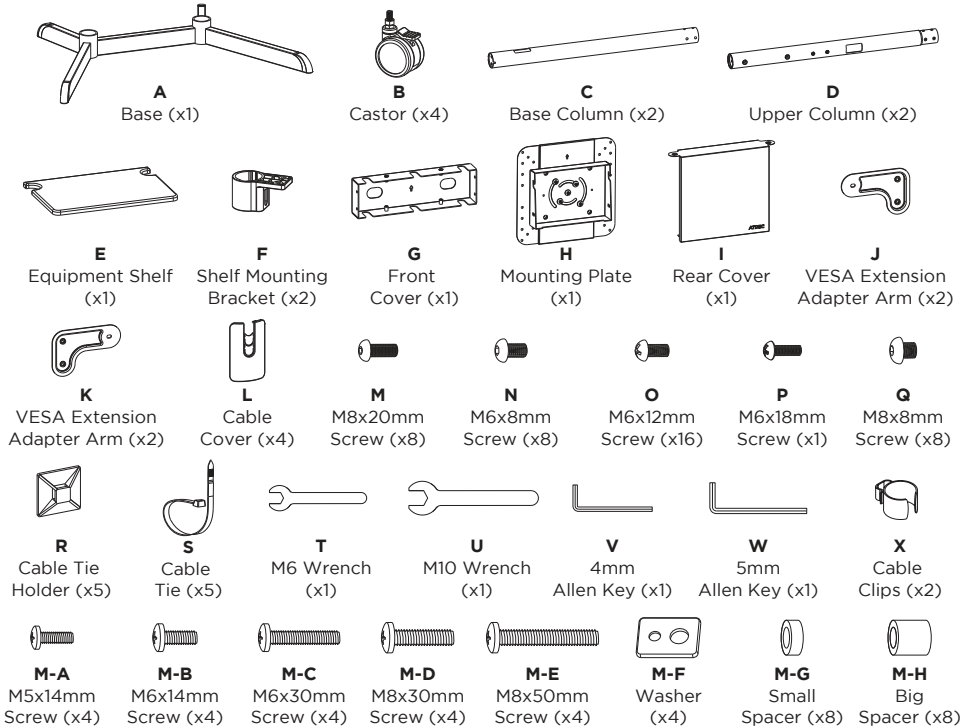


AV Cart 70 Rotation



COMPONENT CHECKLIST



REQUIRED TOOLS

- Phillips Head Screwdriver

CAPACITY

DISPLAY
0-70kg (0-154lb)
37" - 70"

SHELF
0-5kg (0-11lb)

IMPORTANT INFORMATION

- ! Please ensure this product is installed as per these installation instructions.
- ! The manufacturer accepts no responsibility for incorrect installation.
- ! Failure to assemble this product correctly may cause serious injury/death during or following installation.
- ! This product should only be installed by professional installers of good mechanical aptitude, who fully understand these instructions and the consequences of incorrect installation.
- ! Do not over tighten screws.
- ! Two person installation is recommended.
- ! Product not suitable for use outdoors.
- ! After installation is complete check to verify that AV Cart is secure and safe for use.
- ! Curved monitors, deep devices (such as all-in-one PCs), VESA mounted accessories (such as mini PC brackets and mounts), and offset VESA locations exert additional leverage that can exceed the capacity of the mount even though the monitor weight may be within the stated range. Please contact Atdec if you would like further information.
- ! **WARNING!** Death or serious injury may occur when children climb on audio and/or video equipment furniture. A remote control or toys placed on the cart may encourage a child to climb on the cart and as a result the cart may tip over on to the child.



WARNING!

- ! DO NOT ALLOW CHILDREN UNDER 16 TO PLAY WITH OR MOVE CART
- ! MOVE CART SLOWLY
- ! USE WITH DISPLAYS HEAVIER THAN SPECIFIED MAY RESULT IN INSTABILITY, TIP OVER AND RISK OF DEATH OR SERIOUS INJURY

ONLY ADULTS SHOULD MOVE THIS CART	DO NOT APPLY MOVING FORCE ON WIDE SIDE	NEVER APPLY FORCE AT TOP	DO NOT PULL	APPLY FORCE ON NARROW SIDE PUSH NEAR MIDDLE
KEEP HANDS & OBJECTS CLEAR OF AREA BELOW SCREEN WHEN ROTATING	ALLOW SUFFICIENT LOOP IN CABLE FOR ROTATION	LOCK BRAKES WHEN STATIONARY		

1. Install the Castors

Lock the brakes on the castors to avoid any sudden movements during installation.

Do not fully tighten the screws M.

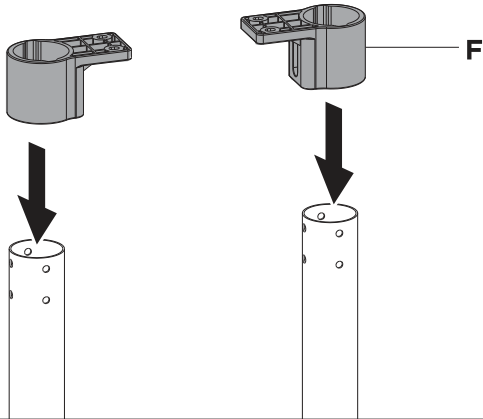
2. Attach the columns to the base

Align the column as shown, making sure that the cable management holes and the shorter legs are on the same side.

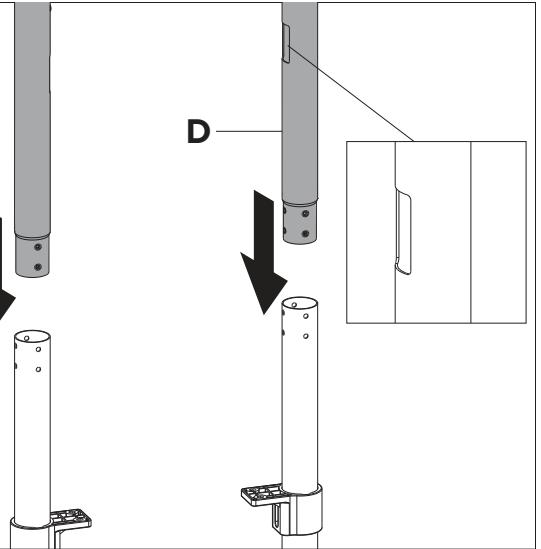
Do not fully tighten the screws M.

3. Connect the columns

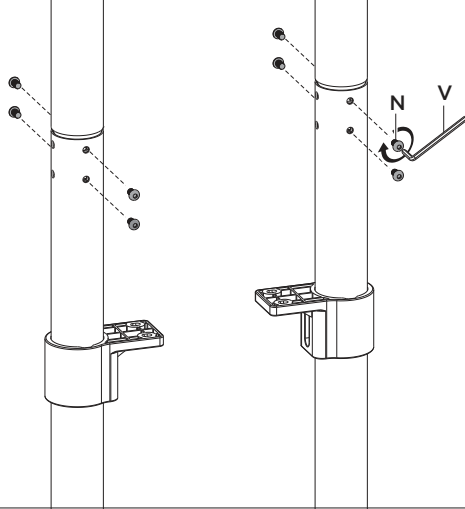
3.1 Slide shelf mounting brackets over the lower columns prior to connecting the upper column.



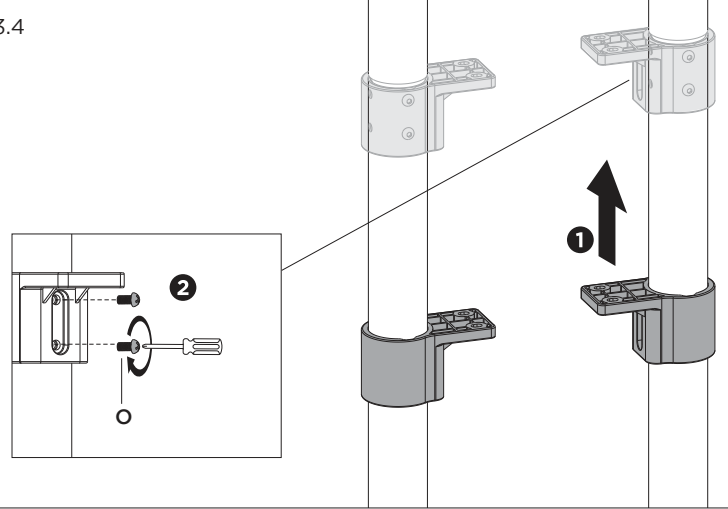
3.2 Position the cable management holes (found on each upper column leg) facing inward as shown.



3.3

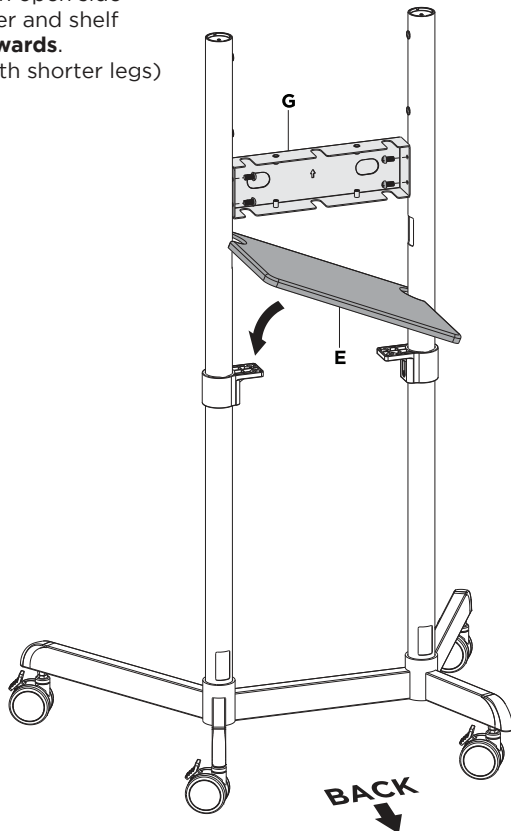


3.4

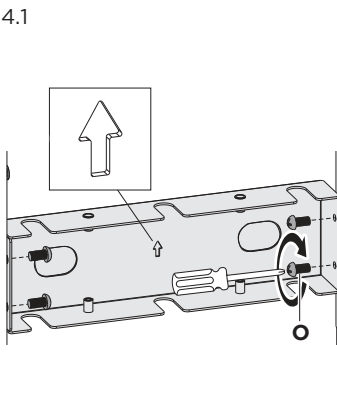


4. Install the front cover and equipment shelf

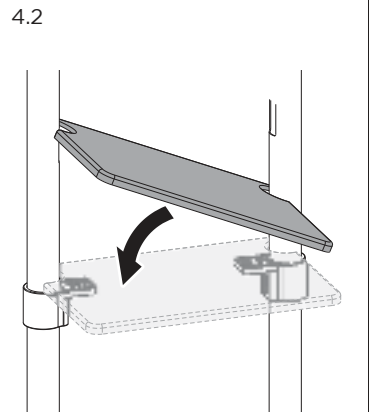
Position both open side of front cover and shelf facing **backwards**.
(The side with shorter legs)



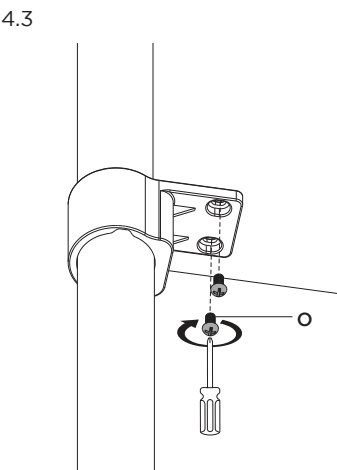
4.1



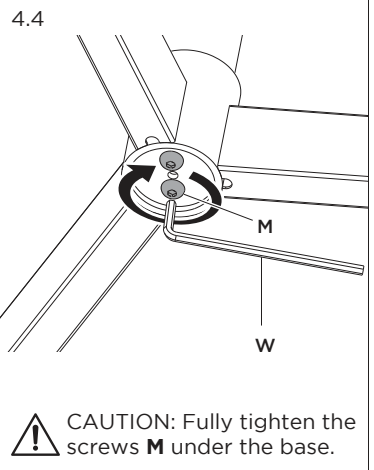
4.2



4.3



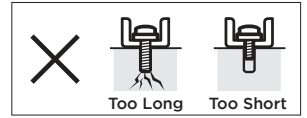
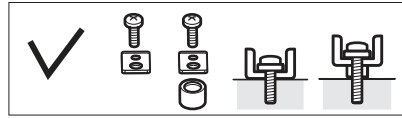
4.4



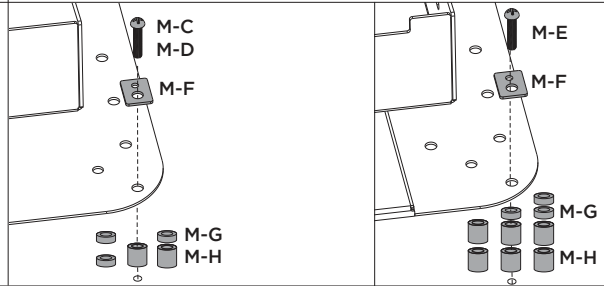
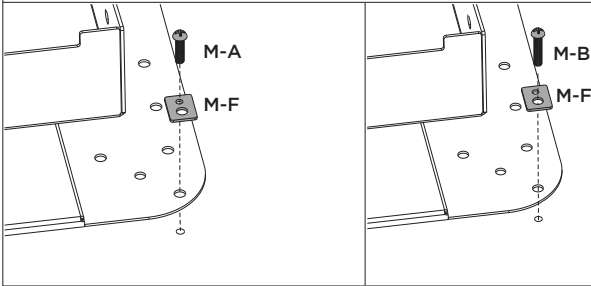
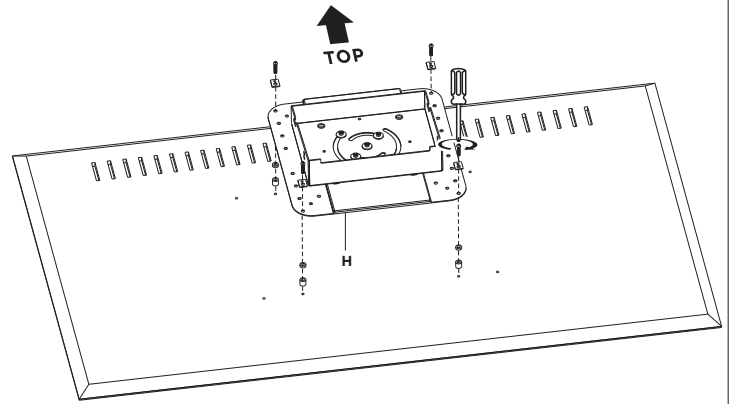
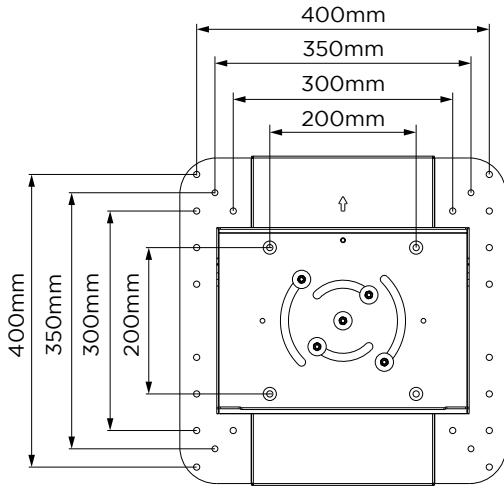
CAUTION: Fully tighten the screws **M** under the base.

5. Attach the mounting plate to display

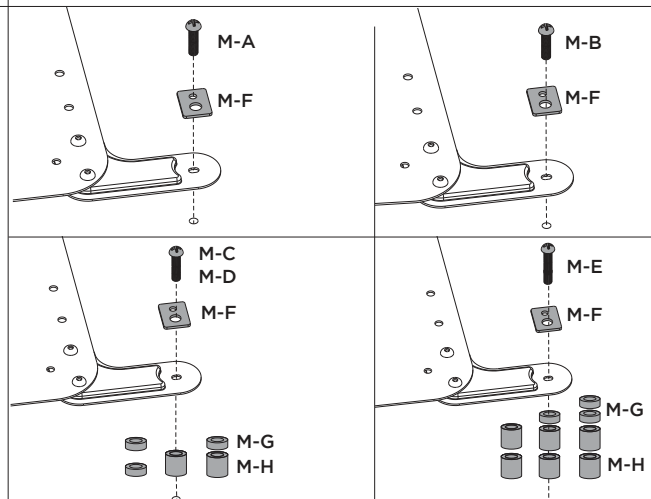
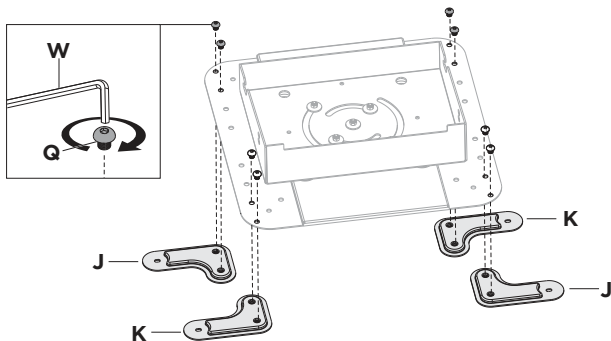
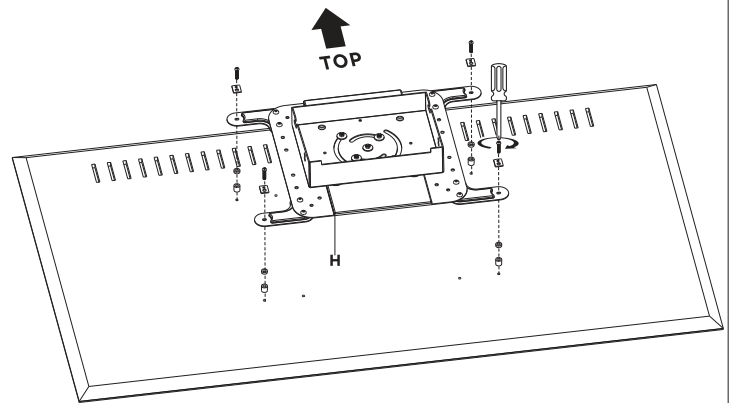
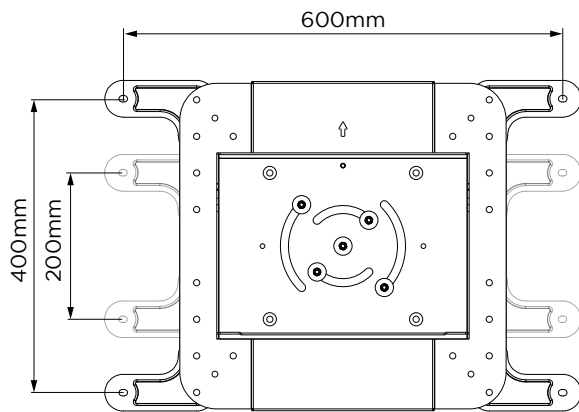
- Select screws to suit display
- Use small or large hole in washer to suit screw
- Use spacers if required to compensate for long fasteners, or recessed/uneven monitor surfaces
- Use the smallest number of spacers that will work



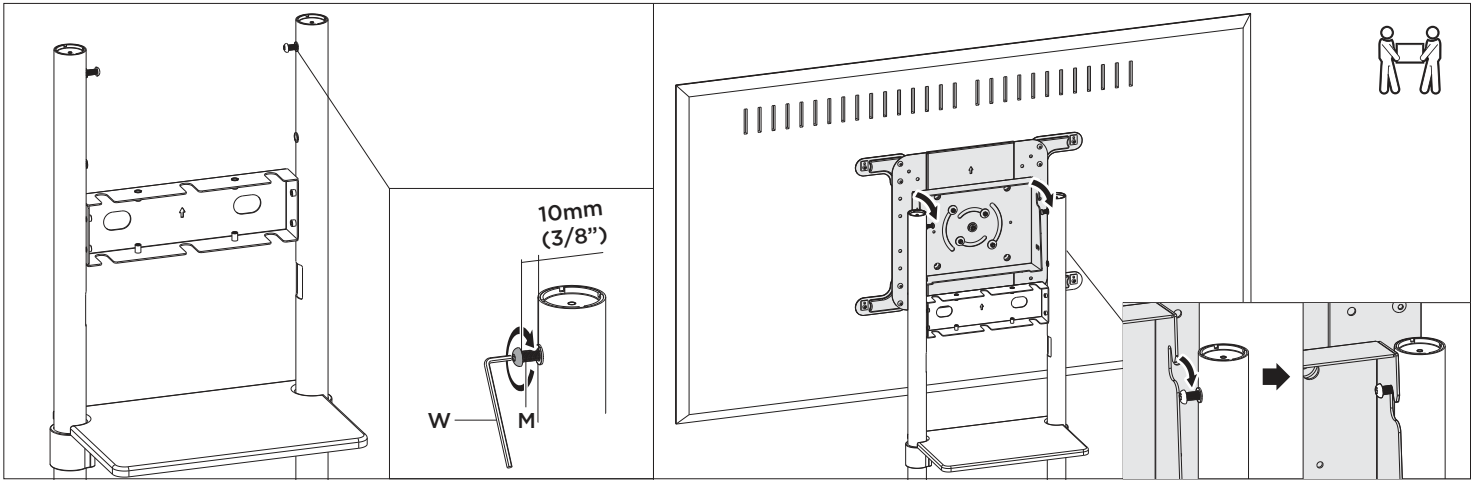
VESA: 200X200/ 300X300/ 350X350/ 400X200/
400X300/ 400X400mm



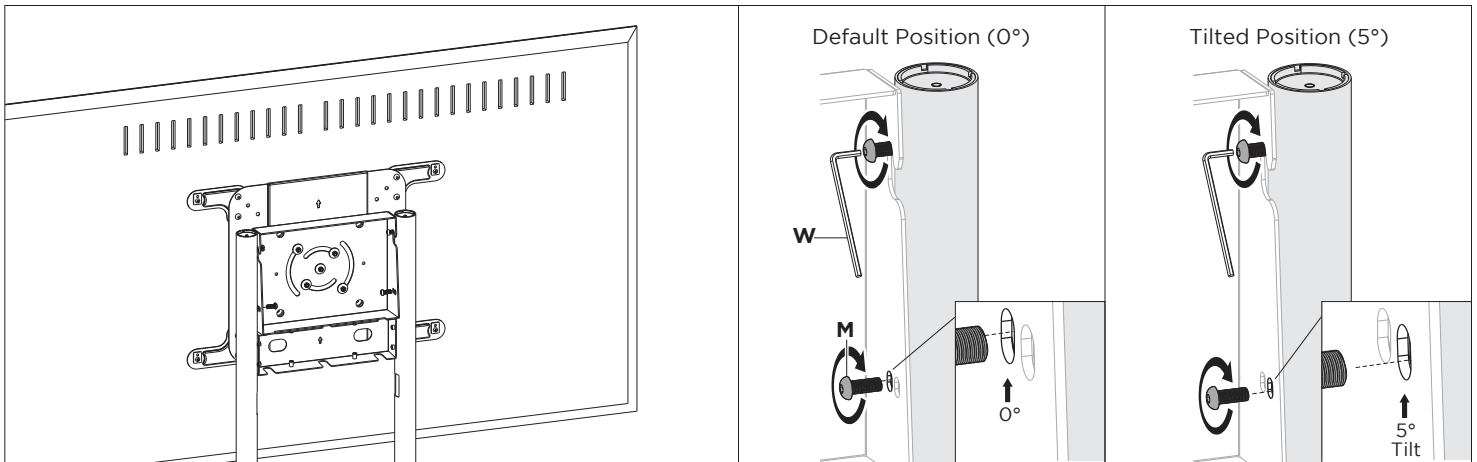
VESA: 600X200/ 600X400



6. Mount display onto screws

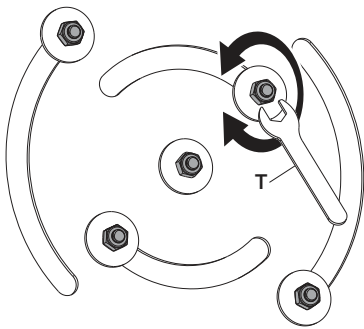


7. Set the tilt angle of the display

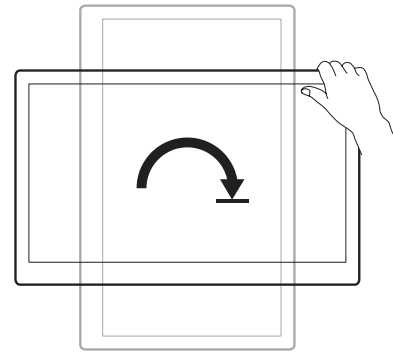


8. Set screen rotation

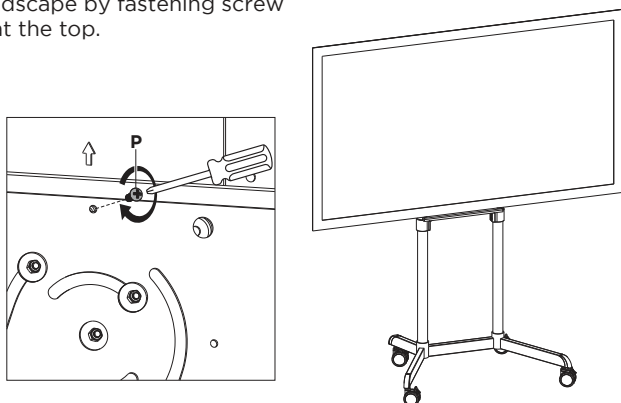
8.1 Increase or reduce friction of screen rotation by tightening or loosening nuts.



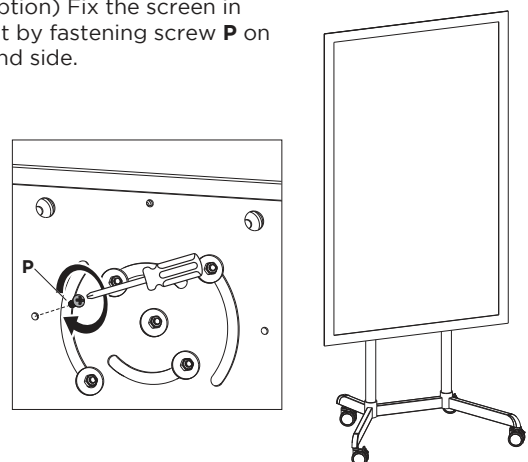
8.2



8.3 (Option) Fix the screen in landscape by fastening screw **P** at the top.




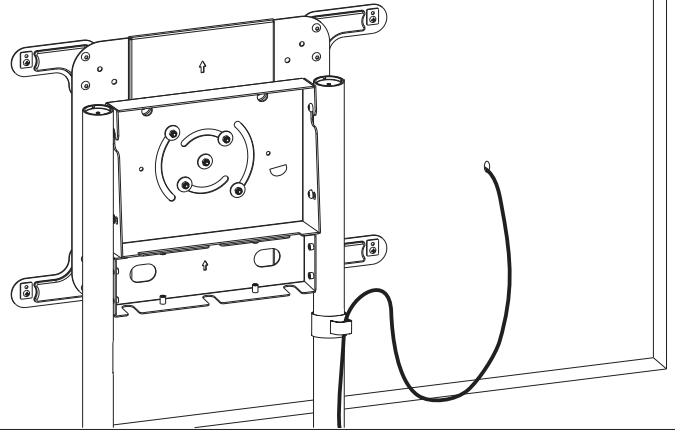
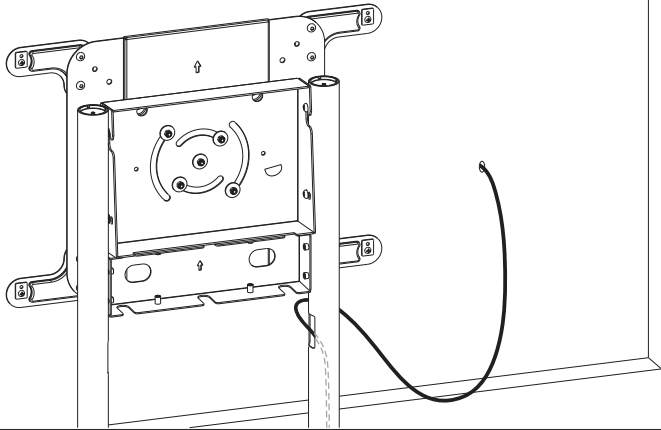
8.4 (Option) Fix the screen in portrait by fastening screw **P** on left hand side.



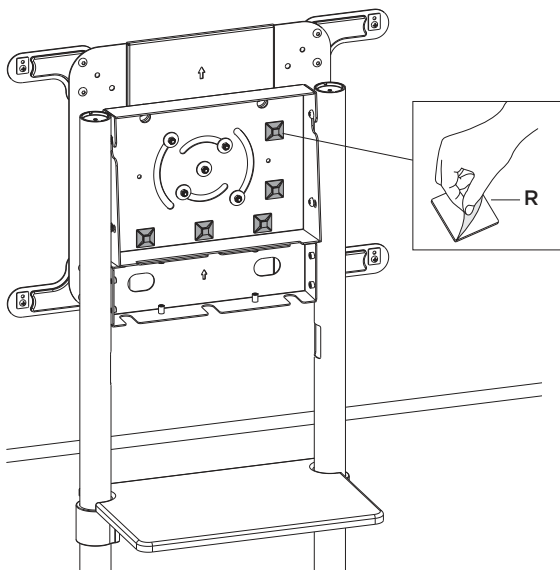
9. Cable routing options

9.1 Cables can be routed down the inside or outside of column.

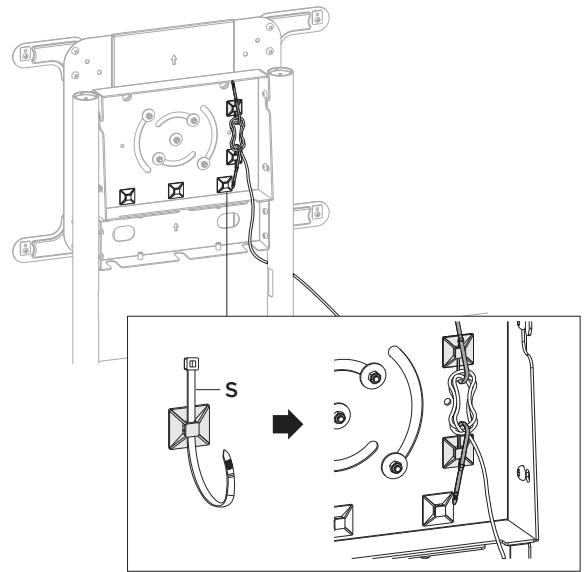
 CAUTION: Allow sufficient loop in cables for screen rotation.



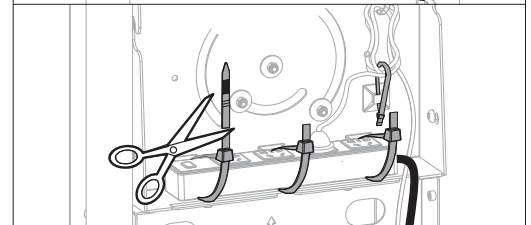
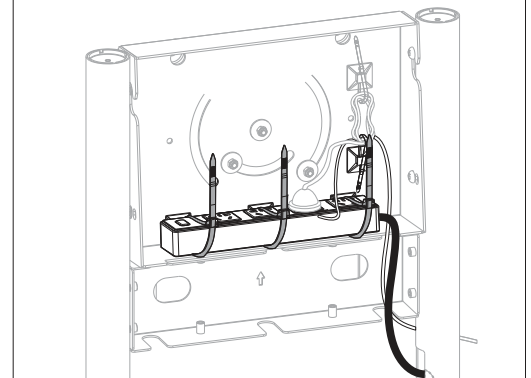
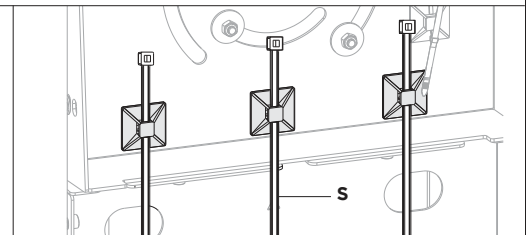
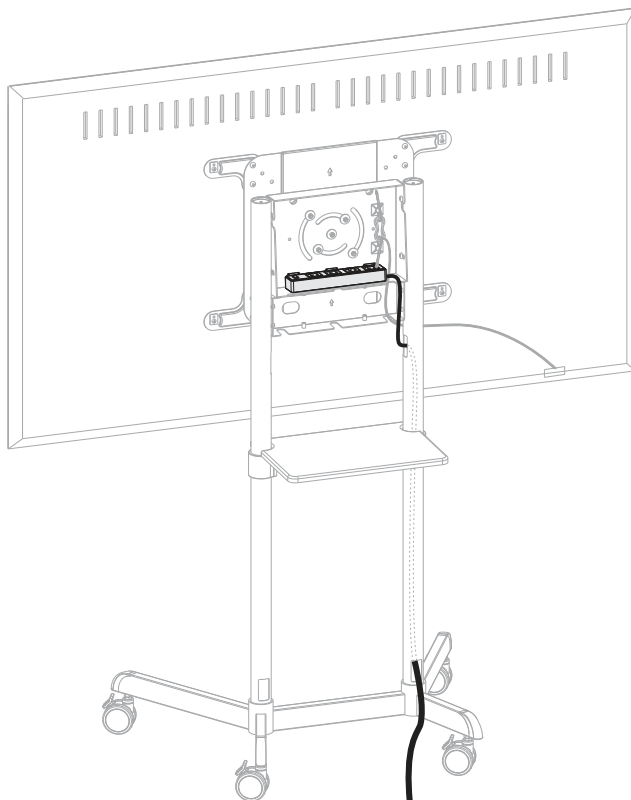
9.2



9.3

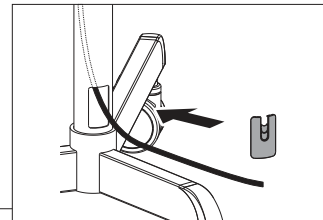
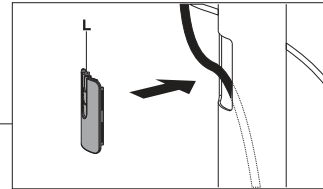
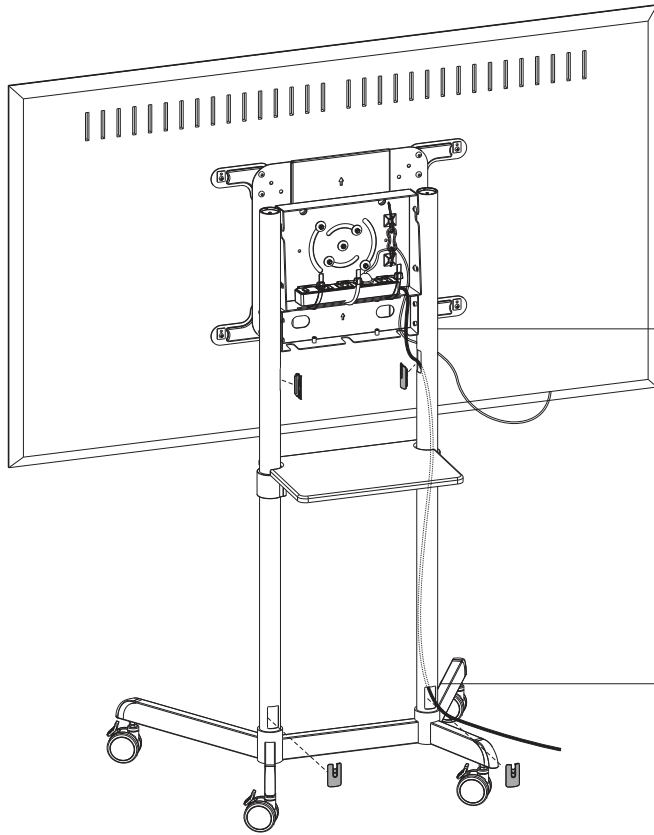
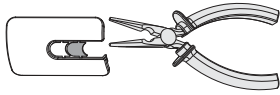


9.4

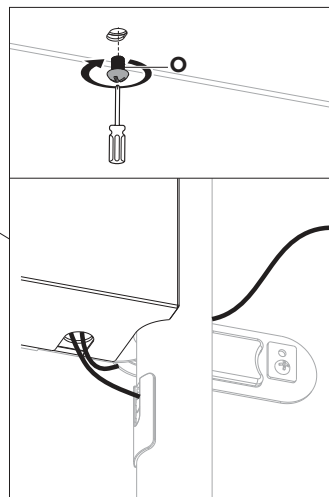
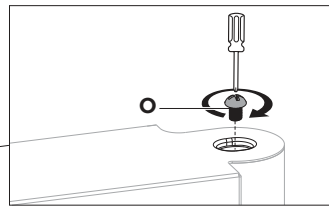
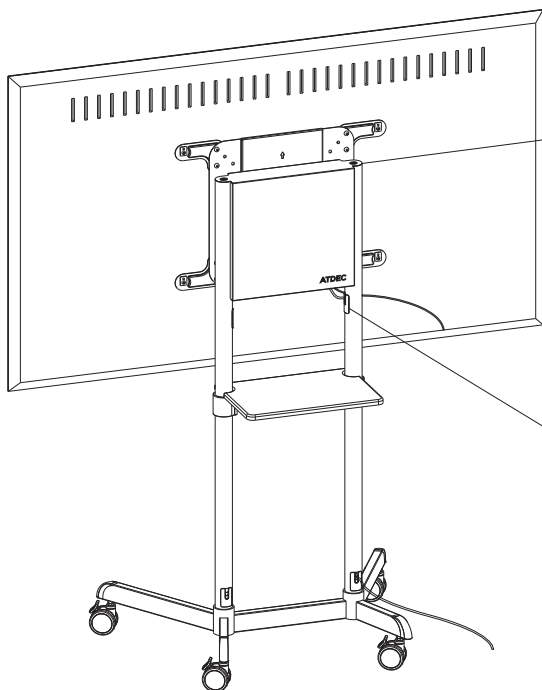


10. Attach cable covers

10.1 Remove tabs as needed to fit wires.



11. Attach the rear cover



Maintenance

- Tighten fasteners and check if the cart is secure and safe to use at regular intervals (at least every three months.)
- Please contact your distributor if you have any questions.

