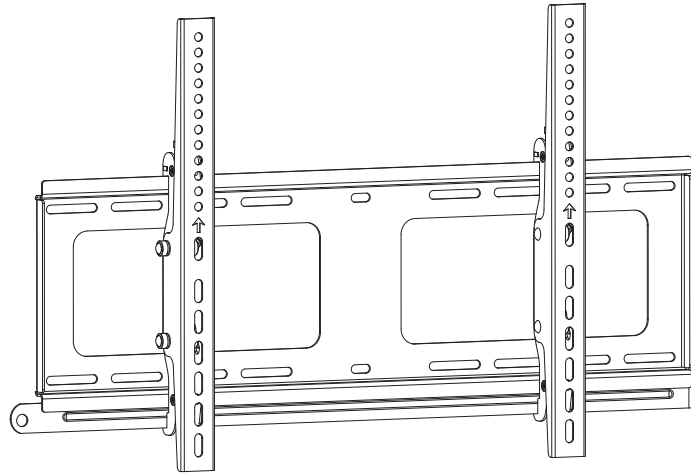
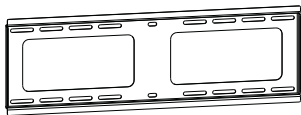


## Tilt Wall Mount 8060



### COMPONENT CHECKLIST



**A**  
Wall Plate



**B**  
Display Bracket (left)



**C**  
Display Bracket (right)



**D**  
Security Bar



**E**  
Hex Key



**M-A**  
M5x14  
Screw  
(x4)



**M-B**  
M6x14  
Screw  
(x4)



**M-C**  
M6x30  
Screw  
(x4)



**M-D**  
M8x30  
Screw  
(x4)



**M-E**  
M8x50  
Screw  
(x4)



**M-F**  
Multi  
Washer  
(x4)



**M-G**  
Short  
Spacer  
(x8)



**M-H**  
Long  
Spacer  
(x8)

#### NOTE:

- ! Wall Plate Mounting Fasteners are NOT supplied with Wall Mounts. Professional installer to ensure correct Mounting Fastener type, location & quantity to suit structure where Wall Mount is installed.
- ! ALWAYS use a washer between the chosen fastener and the wall plate.
- ! Mounting fasteners to be used as per manufacturers instructions, including minimum engagement to achieve necessary performance.



### REQUIRED TOOLS

- Phillips head screwdriver
- Power drill
- Suitable drill bit
- Driver bit for selected wall fasteners
- Stud finder
- Spirit level
- Socket wrench set

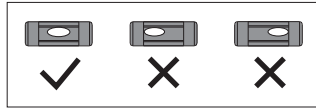
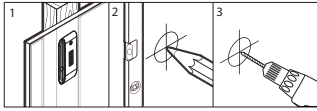
### WEIGHT RANGE

0 - 80kg  
(0 - 176lb)

### IMPORTANT INFORMATION

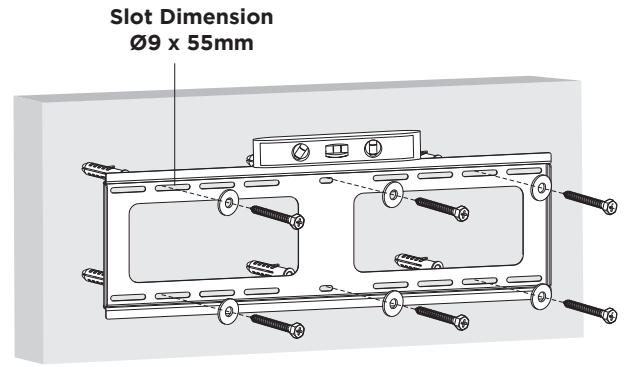
- ! Please ensure this product is installed as per these installation instructions.
- ! The manufacturer accepts no responsibility for incorrect installation.
- ! Failure to mount this product correctly may cause serious injury/death during or following installation.
- ! This product is not suitable for outdoor use.
- ! Do not use this product for mobile applications.
- ! Wall Plate only achieves maximum weight rating when appropriately fastened to a wall of adequate structural capacity.
- ! Professional installer to ensure adequate structural capacity of wall (including appropriate safety factor) to support total weight of all equipment being mounted.
- ! Drilling into electrical wires can cause death - use appropriate equipment and caution when drilling holes in walls to avoid electrical cables, water pipes and gas pipes. Do not drill into structures unless you have established it's safe to do so.

# 1. Mount the Wall Plate to the Wall



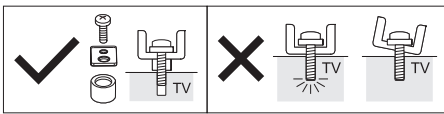
**NOTE:**

- Choice and supply of appropriate wall plate fasteners is the responsibility of the installer.
- Consult a preferred fastener supplier or a structural engineer to select fasteners which are most appropriate for the weight of the display and wall construction method.
- Wall plate must be level. Verify using a quality spirit level tool.
- On a Stud Wall or Drywall use a good quality Stud Finder to position mounting fasteners in the centre of studs.
- On a Masonry Wall avoid positioning Wall Plate mounting fasteners in a mortar joint.



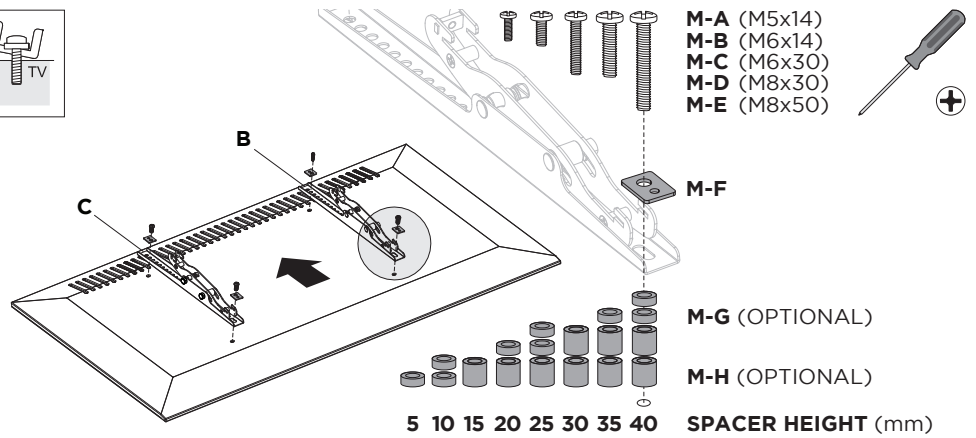
\*Fasteners shown are for example only

# 2. Attach the Display Brackets to the Display



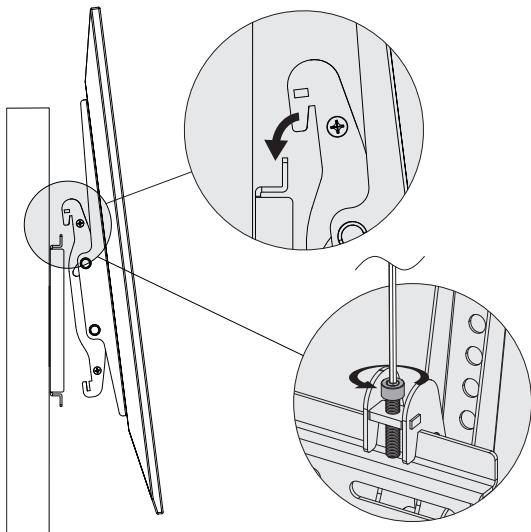
**NOTE:**

- Always use multi-washers **M-F**.
- Ensure the display brackets are not loose and screws are not forced too deep into the display.
- If spacers are needed, use the shortest possible combination between the display bracket and the display.



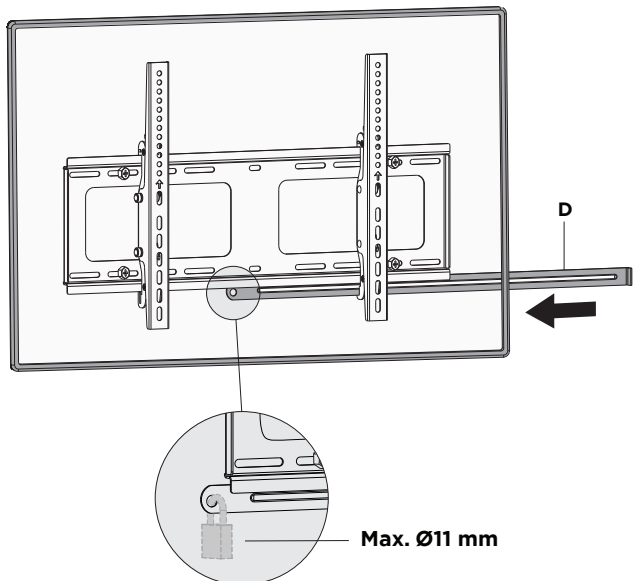
# 3. Hook and Secure the Display onto the Wall Plate

**3.1.** Angle the display and hook the Display Brackets over the top of the Wall Plate. This should be completed by two people.



**NOTE:** Ensure level adjustment screws are retracted prior to mounting the display.

- 3.2.** Slide Security Bar **D** through the slots at the bottom of each Display Bracket, ensuring the Security Bar sits to the rear of the Wall Plate and the display cannot be lifted up and off the Wall Plate.
- 3.3. (OPTIONAL)** To prevent theft of the display, add a padlock to the end of Security Bar **D**.



## ADJUSTMENTS

