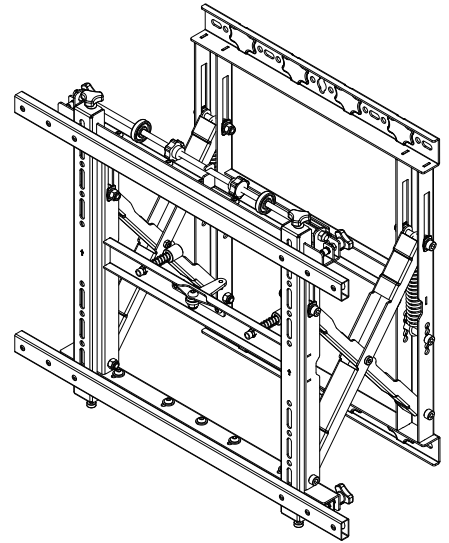
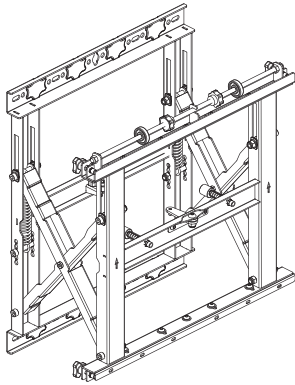


## Pop-out Video Wall Mount



### COMPONENT CHECKLIST



Mounting Base  
(x1)



Left and Right  
Mounting Bracket  
(x1)



600mmx400mm  
Adaptor  
(x2)



**A**  
M5x16mm  
Screw (x4)



**B**  
M5x30mm  
Screw (x4)



**C**  
M6x16mm  
Screw (x4)



**D**  
M6x30mm  
Screw (x4)



**E**  
M8x16mm  
Screw (x4)



**F**  
M8x30mm  
Screw (x4)



**G**  
M8x50mm  
Screw (x4)



**H**  
M5/M6  
Washer  
(x4)



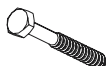
**I**  
M8x5mm  
Spacer  
(x8)



**J**  
5mm  
Allen Key  
(x1)



**K**  
M8 Washer  
(x6)



**L**  
Coach Bolt  
(x6)



**M**  
Anchor  
(x6)



**N**  
M8x13mm  
Spacer  
(x8)



**O**  
M8x15mm  
Screw (x4)  
(installed)

Wall

### REQUIRED TOOLS

- Power Drill
- 6.5mm (1/4") Drill Bit
- 10mm (3/8") Drill Bit
- Phillips Head Screwdriver
- Stud Finder
- 1/2" Socket
- Socket Wrench
- Pencil

### WEIGHT RANGE

0 - 50kg  
(0 - 110lbs)

**! Important:** The wall structure must be capable of supporting at least five times the weight of the flat-panel. If not, the wall structure must be reinforced.

### IMPORTANT INFORMATION

- ! Please ensure this product is installed as per these installation instructions.
- ! The manufacturer accepts no responsibility for incorrect installation.

# INSTALLATION SAFETY INSTRUCTIONS



**CAUTION: THIS MOUNT IS INTENDED FOR USE ONLY WITH THE MAXIMUM WEIGHTS INDICATED. USE WITH DISPLAYS HEAVIER THAN THE MAXIMUM INDICATED MAY RESULT IN INSTABILITY CAUSING POSSIBLE INJURY.**

Do not attempt to install this product until all instructions and warnings have been read and properly understood.

Please keep these instructions for future reference.

Please check carefully to make sure there are no missing or defective parts - defective parts must never be used.

Atdec Pty Ltd, its distributors and dealers are not liable or responsible for damage or injury caused by improper installation, improper use or failure to observe these safety instructions.

In such cases, all guarantees will expire.

## GENERAL

Atdec Pty Ltd recommends that a professional AV installer or other suitably qualified person install this product. Great care must always be taken during installation as most AV equipment is of a fragile nature, possibly heavy and easily damaged if dropped.

If you do not fully understand the instructions or are not sure how to install this product safely, then please consult a professional for advice and/or to install this product for you. Failure to mount this product correctly may cause serious injury or death both during installation and at any time thereafter.

Do not mount any AV equipment that exceeds the specific weight limit of the product you are installing.

This weight limit will be clearly stated on each product and its packaging and will vary from product to product.

## PRODUCT LOCATION

Please pay careful attention to where this product is located. Check load capacity of wall prior to installation as some walls are not suitable for installation. Designed for indoor use, this mount is suitable for public or home installation. If located in a public or frequently populated area ensure that the product is out of the immediate reach of people. If any AV equipment is to be suspended over the likely path or location of people then great care should be taken to secure all parts of the installation from falling. If you install this product on drywall it must be securely fixed to a wooden stud, concrete block or other permanent structure

behind the drywall board.

Installing on drywall boards alone will not support the weight of most AV equipment.

When drilling holes in walls it is essential to avoid contact with electrical cables and water or gas pipes contained within. Use of a good quality live wire detector and hidden object locator is therefore recommended.

Only drill into structures when you are sure it is safe to do so.

## FIXING HARDWARE

It is highly recommended that all wall fixing screws be used where supplied and that the purpose of all other fixing hardware is fully understood. In some cases more AV equipment fixing hardware will be supplied to accommodate different models of equipment and set up configurations.

The installer must be satisfied that any supplied fixing hardware is suitable for each specific installation. If any fixing screws or included hardware are deemed not sufficient for a safe installation then please consult a professional or your local hardware store.

## HAZARD LIMITATION

When routing cables take advantage of any built in cable management features that the product might provide and ensure that all cables are tidy and secure. Check to see that any moving aspect of product can do so unhindered by any cabling.

Some products have moving parts and the potential to cause injury through the crushing or trapping of fingers or other body parts.


Particular attention to the nature of moving parts is required especially when assembling, installing and adjusting during set up.

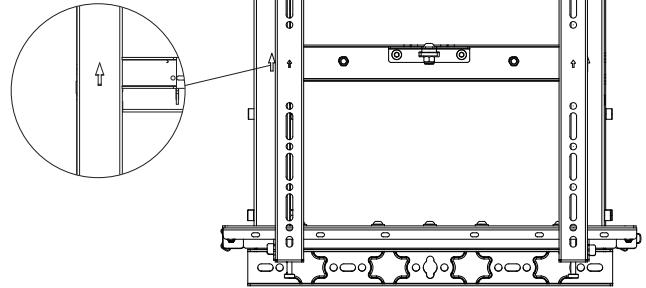
Immediately after installations double-check that the work done is safe and secure. Double-check all necessary fixings are present and are of ample tightness.

It is recommended that periodic inspections of the product and its fixing points are made as frequently as possible to ensure that safety is maintained. If in doubt consult a professional AV installer or other suitably qualified person.

# Orientation

**Directional Mounting Arrow**  
The directional mounting arrow stamped into the ADB-VWP mount indicates which is the top edge.

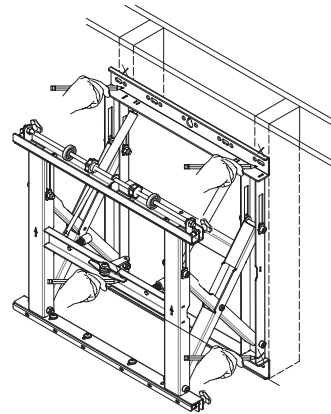
 **Mounting Safety**  
Two people are recommended to install the mount.



## 1. Mounting to wooden studs


A. Two people are recommended for this step; one person to level the mount and another person to mark the wall stud location.

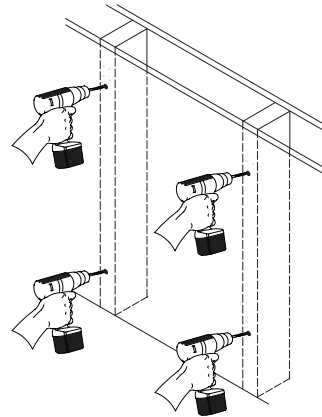
- i Place the mount against the wall in the desired viewing location.
- ii Adjust the mount to align the mount slots in the mount with the centre of the wall studs.
- iii Level the mount.
- iv Use a pencil to mark the upper right mounting location along the centre of the wall stud.



B. Two people are recommended for this step; one person to level the mount and another person to drill the pilot holes.


Drill a "pilot hole" in the centre of each of the marks with a power drill and a 1/4" (6.5mm) drill bit.

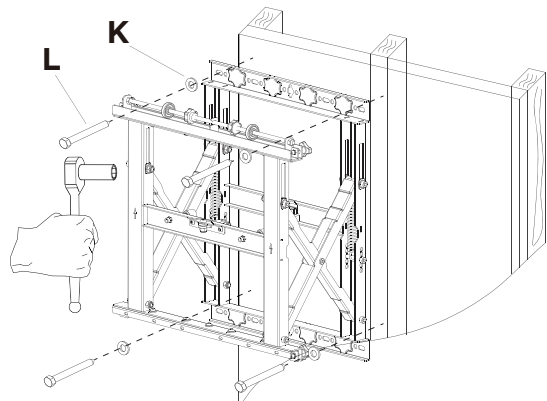
 Only use 1/4" (6.5mm) drill bit when drilling the pilot holes



C. Two people are recommended for this step; one person to level the mount and another person to fasten the screws.

- i Insert one (1) coach bolt and one (1) M8 washer into each pilot hole.
- ii Tighten all coach bolts using a socket wrench and 1/2" socket.

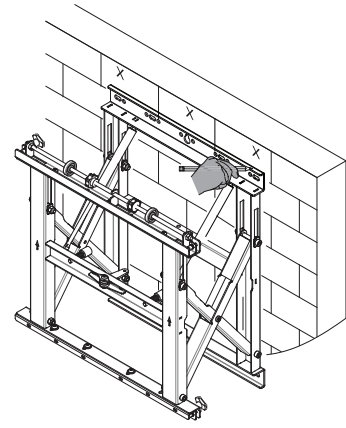
 Do not overtighten the coach bolts when attaching the mount to the wall. Improper installation may result in personal injury or property damage.



## 2. Mounting to solid concrete/masonry

A. Two people are recommended for this step; one person to level the mount and another person to mark the wall stud location.

- i Place the mount against the wall in the desired viewing location.
- ii Adjust the mount to align the mount slots in the mount with the centre of the wall studs.
- iii Level the mount.
- iv Use a pencil to mark the upper right mounting location along the centre of the wall stud.

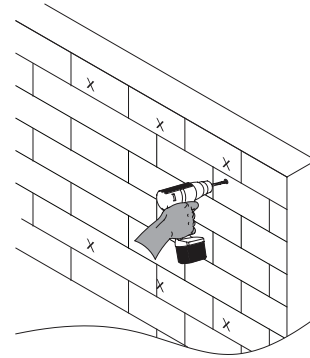


B. Two people are recommended for this step; one person to level the mount and another person to drill the pilot holes.

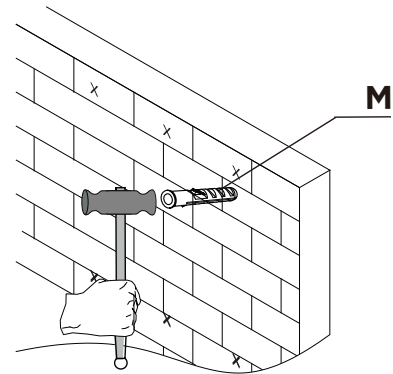
Drill a "pilot hole" in the centre of each of the marks with a power drill and a 1/4" (6.5mm) drill bit.



Only use 1/4" (6.5mm) drill bit when drilling the pilot holes



C. Using a 3/8" (10mm) masonry drill bit, drill 6 mounting holes 3 1/8" (80mm) deep into the concrete/masonry surface.

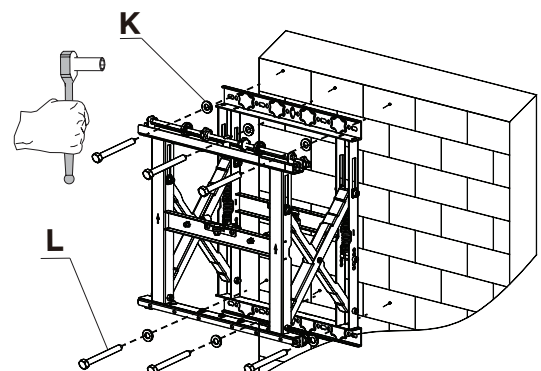


D. Two people are recommended for this step; one person to level the mount and another person to fasten the screws.

- i Insert one (1) coach bolt and one (1) M8 washer into each pilot hole
- ii Tighten all coach bolts using a socket wrench and 1/2" socket.

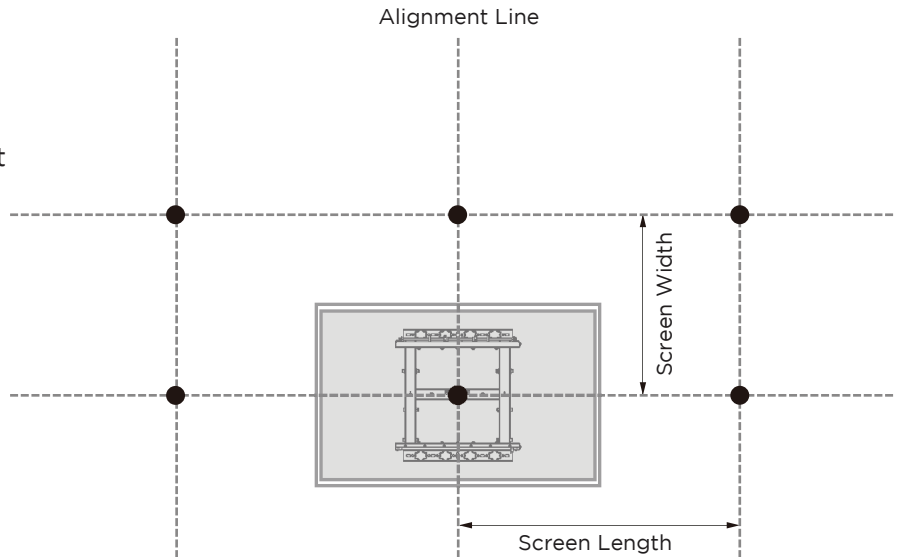
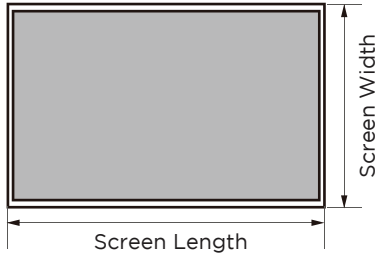


Do not overtighten the coach bolts when attaching the mount to the wall. Improper installation may result in personal injury or property damage.

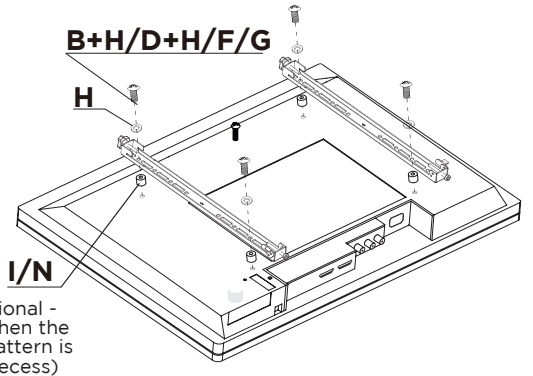
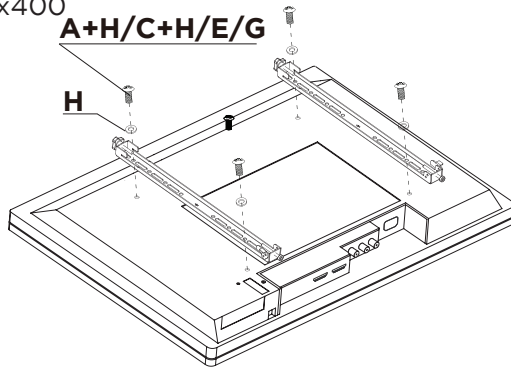


### 3. Installing the mounting bracket

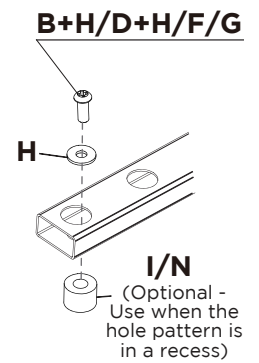
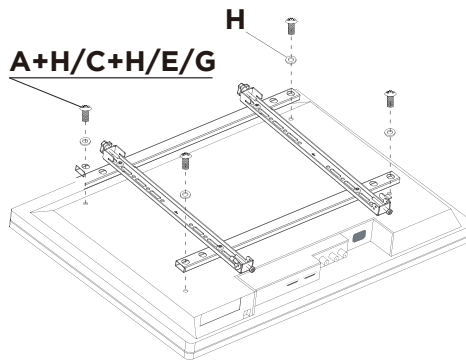
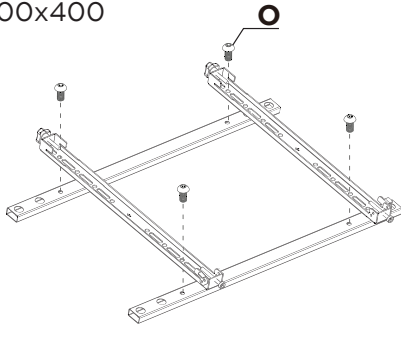
- 1 After you have mounted the first bracket as described, draw a horizontal line (the use of a laser level may help).
- 2 You can place the second bracket by tape measure. Proceed in this way with the other brackets.



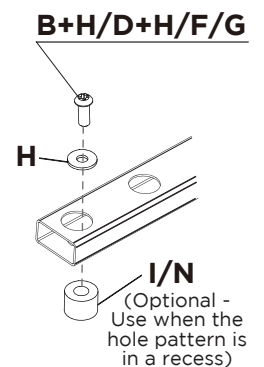
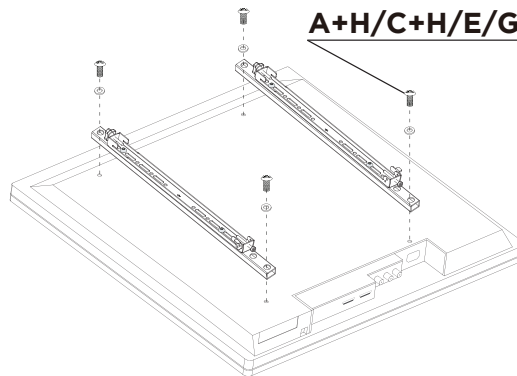
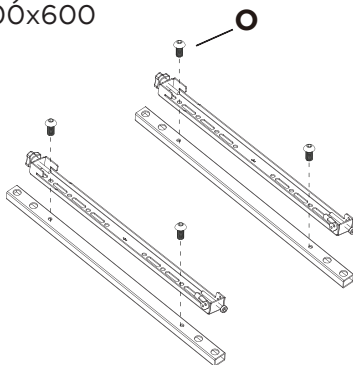
VESA (Horizontal)  
100x100 ~ 400x400



VESA  
500x400 ~ 600x400



VESA (Vertical)  
200x600 ~ 400x600



## 4. Mounting the flat-panel



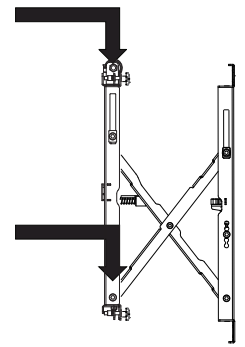
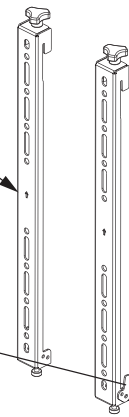
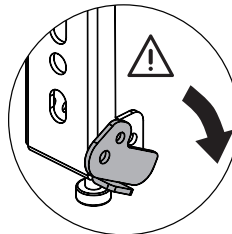
Mounting bracket adjustments are factory pre-set (see Note).

This section requires two people.

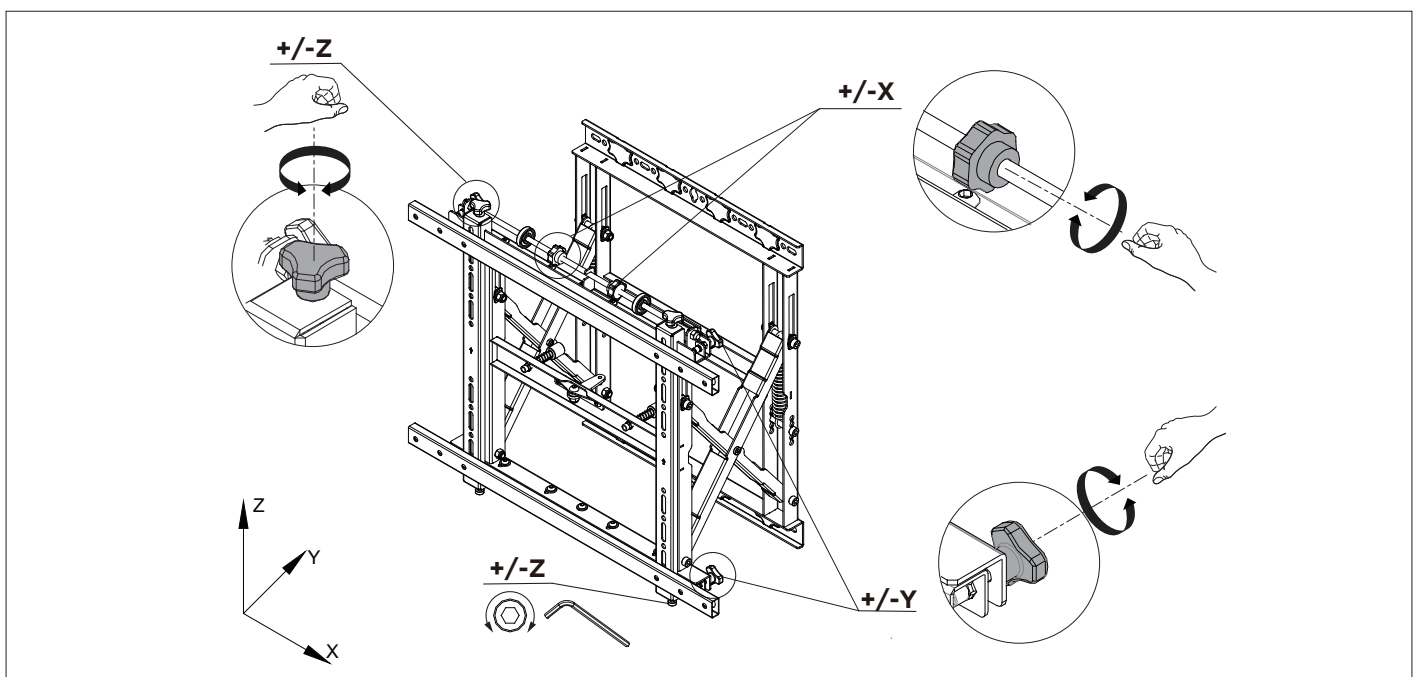
Do not release your flat-panel until you are certain brackets are securely seated on the upper and lower mounting rails of the wall panel.

- 1 Raise the flat-panel past the top and bottom mounting rails on the wall panel.
- 2 Slide the flat-panel down slowly, keeping it close to the wall.
- 3 Engage the top and bottom mounting brackets to rails of the mount.

**Note:** These registers must align prior to installation. They are factory set. Check to determine proper orientation.



## Post-installation adjustments



## Locking safety screw & padlock installation

- 1 Locate the pre-installed security locking safety screw at the bottom of each of the mounting brackets.
- 2 Use the Allen key (supplied) to tighten the locking safety screw.
- 3 The ADB-VWP provide installation on each bracket for anti-theft feature.



The locking safety screws keep the mounting bracket from being accidentally dislodged from the mounting base.

Do not overtighten the locking safety screws.

