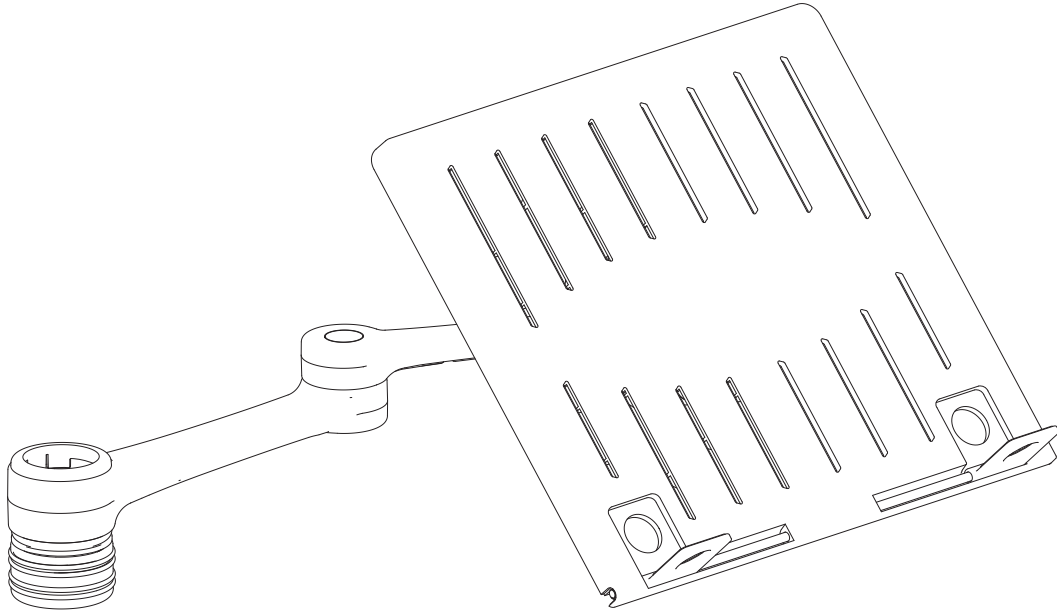
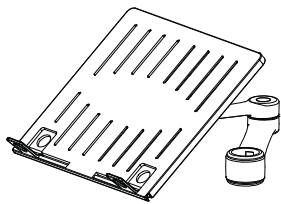


## Notebook Arm



### COMPONENT CHECKLIST



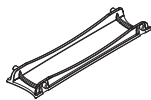
**A**  
Notebook tray  
assembly  
(x1)



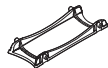
**B**  
Hand grip  
assembly  
(x1)



**C**  
Rotation  
limiter  
(x1)



**D**  
Primary arm  
cable cover  
(x1)



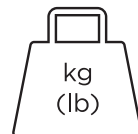
**E**  
Secondary arm  
cable cover  
(x1)



**F**  
Self adhesive  
hook & loop  
(x4 sets)

Desk 

### WEIGHT RANGE



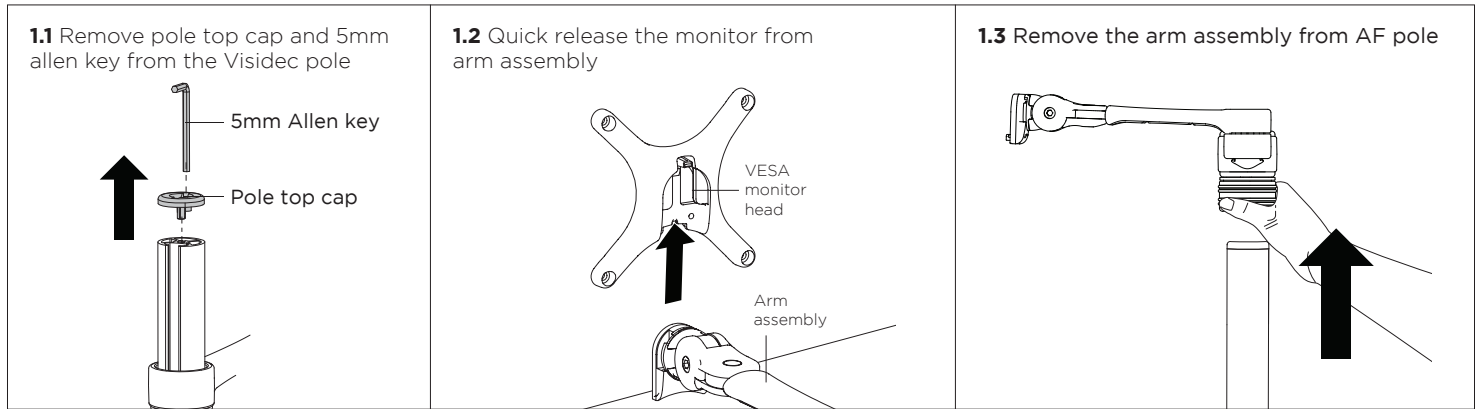
kg  
(lb)

0 - 8kg  
(0 - 17.6lbs)

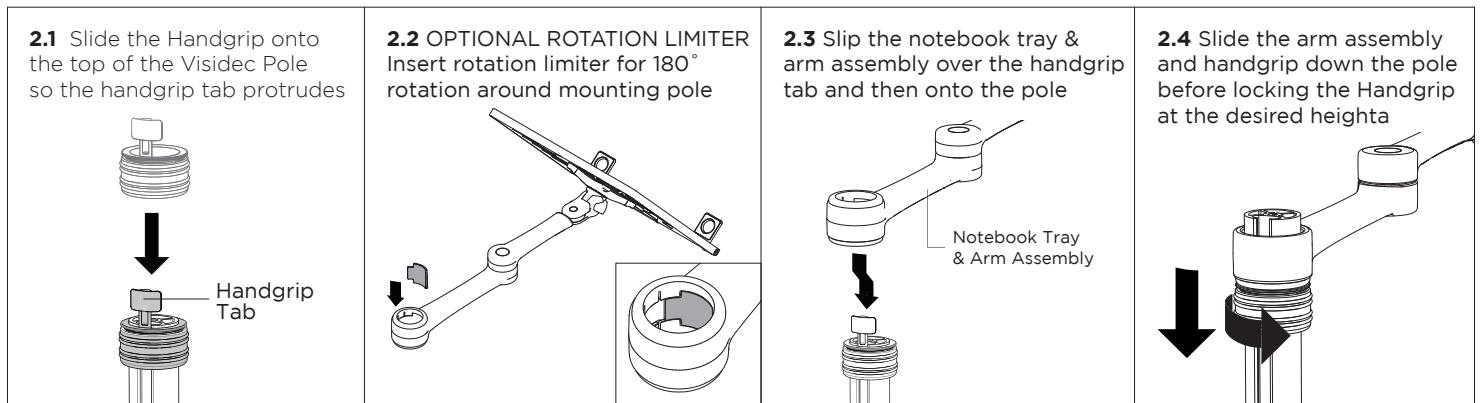
### IMPORTANT INFORMATION

- ! Please ensure this product is installed as per these installation instructions.
- ! This product is designed to be used in conjunction with an external keyboard and mouse.
- ! This product is compatible with the range of AF poles and arms.
- ! The manufacturer accepts no responsibility for incorrect installation.

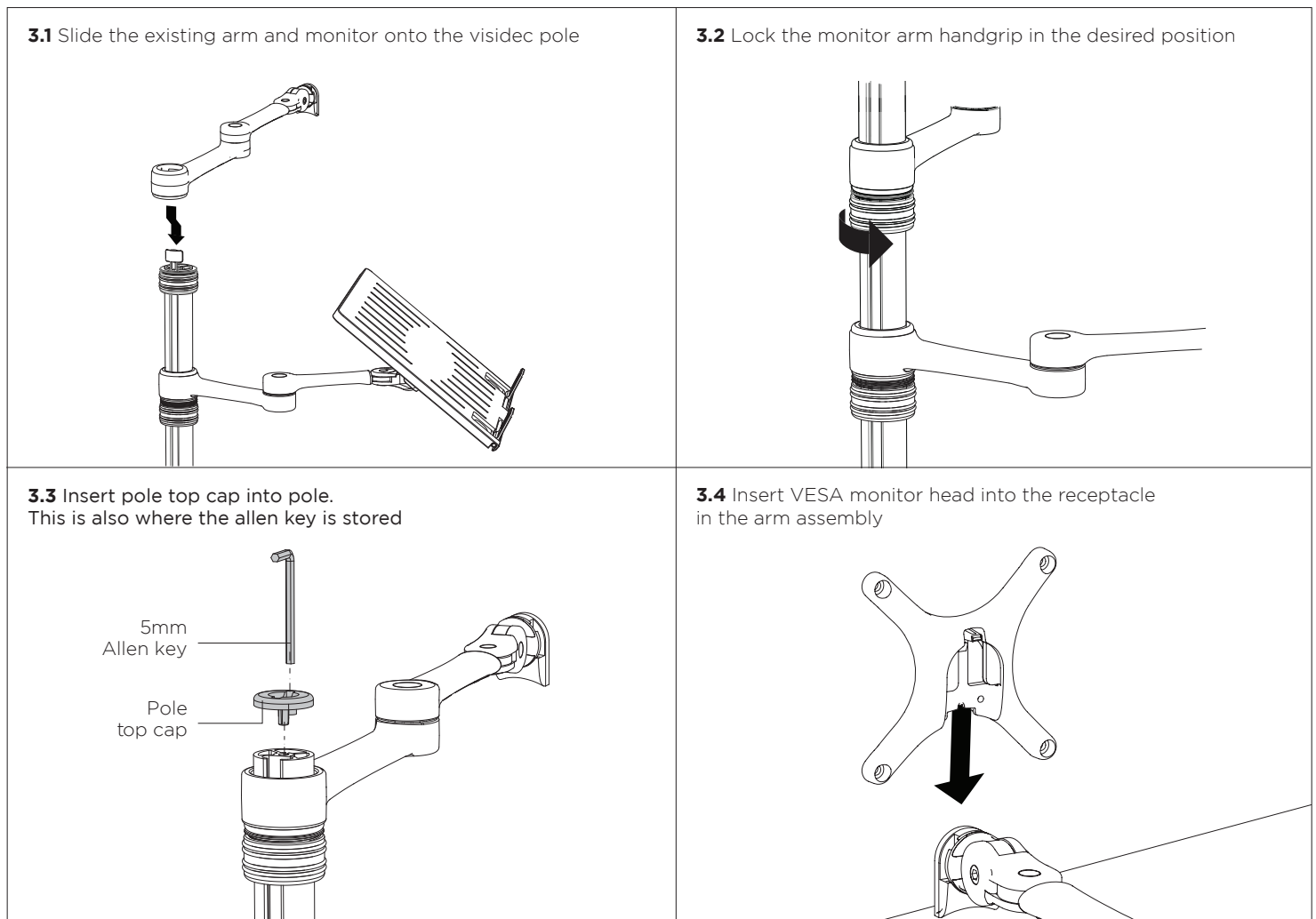
## 1. Remove existing arm and monitor from AF pole (Ensure monitor cables are unplugged)



## 2. Attach notebook tray onto AF Pole

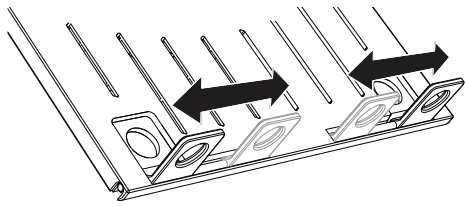


## 3. Re-install the existing arm and monitor



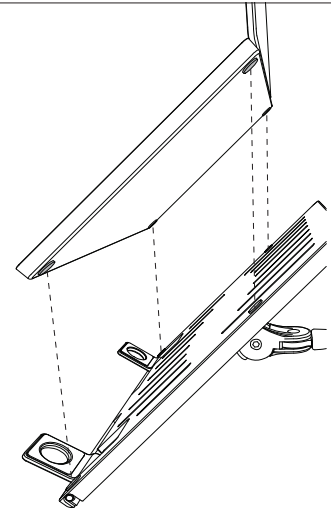
## 4. Install Notebook

**4.1** Adjust the support tabs to suit the width of the notebook computer ensuring that cable ports are not obstructed



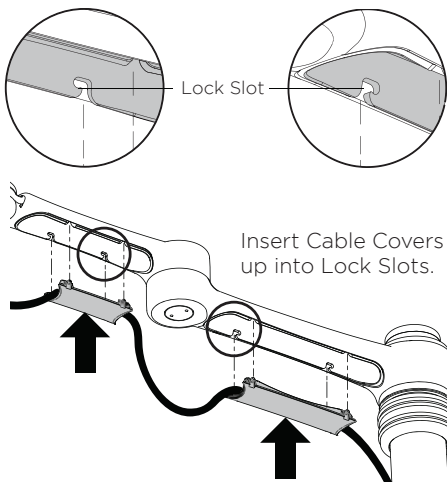
**4.2** To increase stability, use the self adhesive Hook-and-Loop Fasteners supplied

- Peel off the backing paper to the fasteners
- Attach fasteners to both the Notebook Tray and computer
- Ensure that each set of fasteners are correctly aligned i.e. Hook to Loop

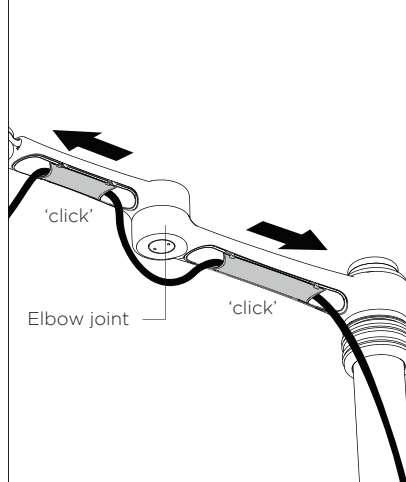


## 5. Cable Management

**5.1** After plugging in your cables, install the Cable Covers

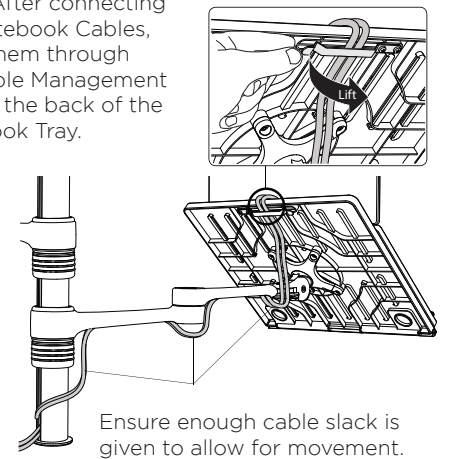


**5.2** Push Cable Covers away from Elbow Joint to secure in place



**5.3** Cable Clips and Cable Stops can be installed to further manage cables. Please See Over

**Note:** After connecting the Notebook Cables, route them through the Cable Management Clip on the back of the Notebook Tray.

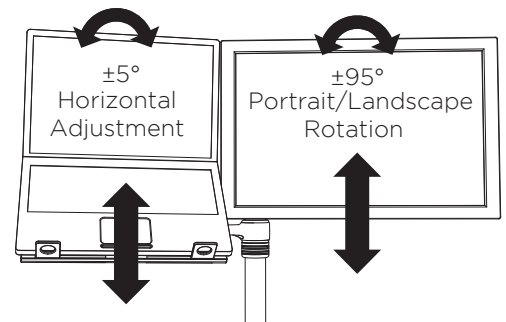
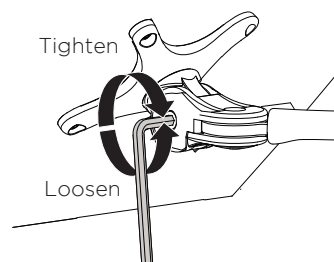


## 6. Adjusting the display bracket

Adjust the tilt angle of the notebook tray as desired, locking it in position using the 5mm allen key



TILT (tray angle up/down)



PAN (tray angle left/right)

