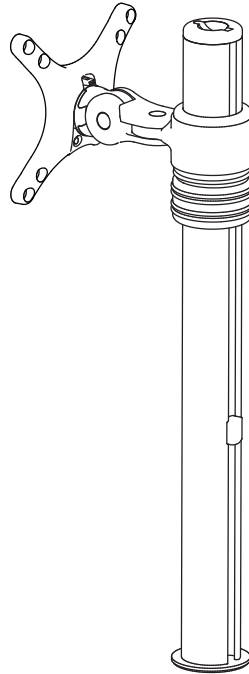
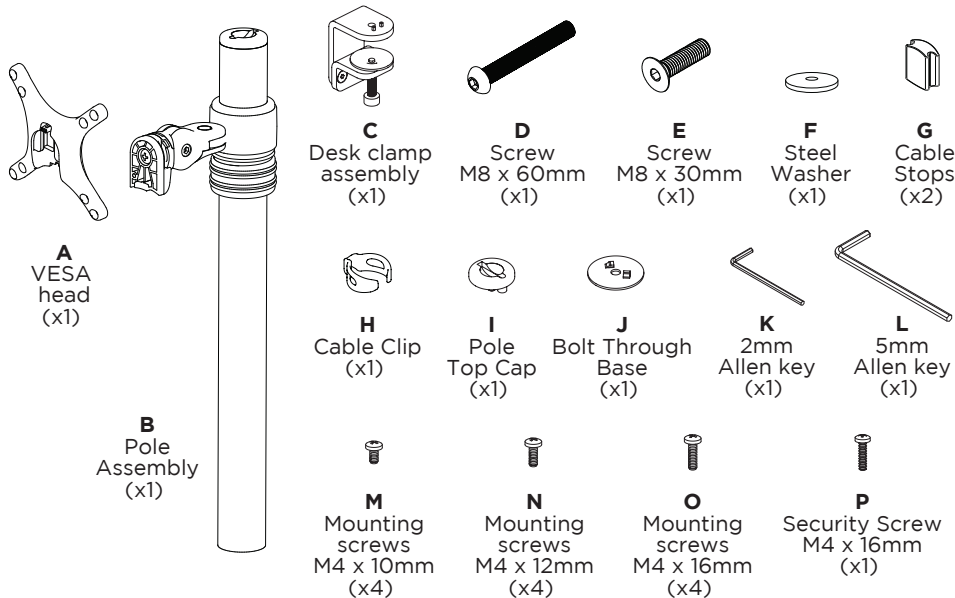


## Micro Desktop Monitor Mount



### COMPONENT CHECKLIST



Desk

### REQUIRED TOOLS

- Phillips Head Screwdriver

### WEIGHT RANGE

#### Flat Monitors

0 - 8kg  
(0 - 17.6lbs)

#### Curved Monitors

0 - 5.5kg  
(0 - 12lbs)

### IMPORTANT INFORMATION

! Please ensure this product is installed as per these installation instructions.

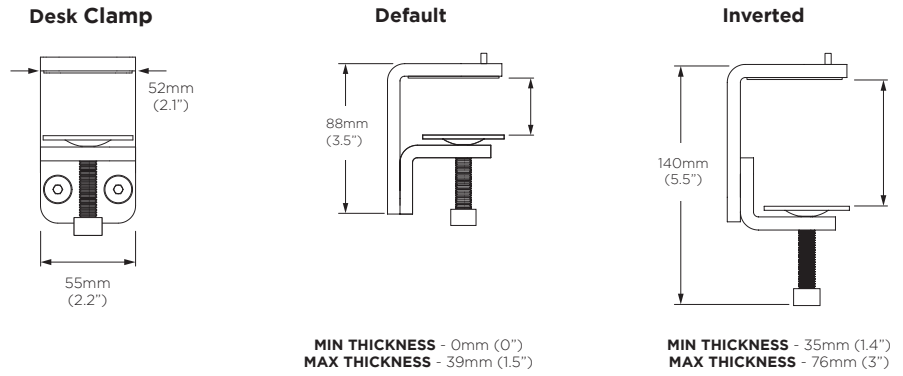
! This product is compatible with the range of AF Poles and arms.

! The manufacturer accepts no responsibility for incorrect installation.

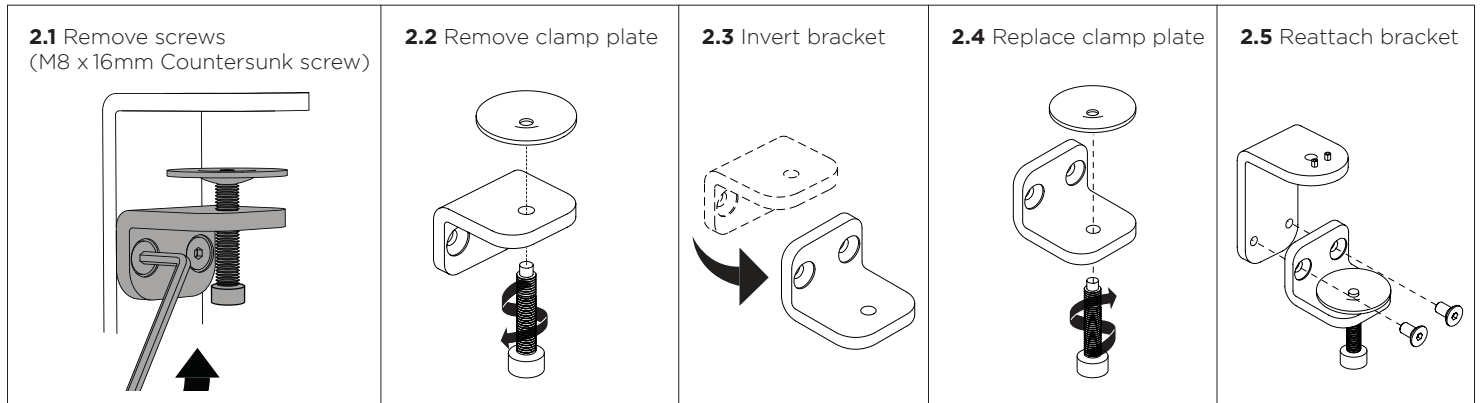
! Curved monitors, deep devices (such as all-in-one PCs) and offset VESA locations exert additional leverage that can exceed the capacity of the mount even though the monitor weight may be within the stated range. Please contact Atdec if you would like further information.

## 1. Desk overview

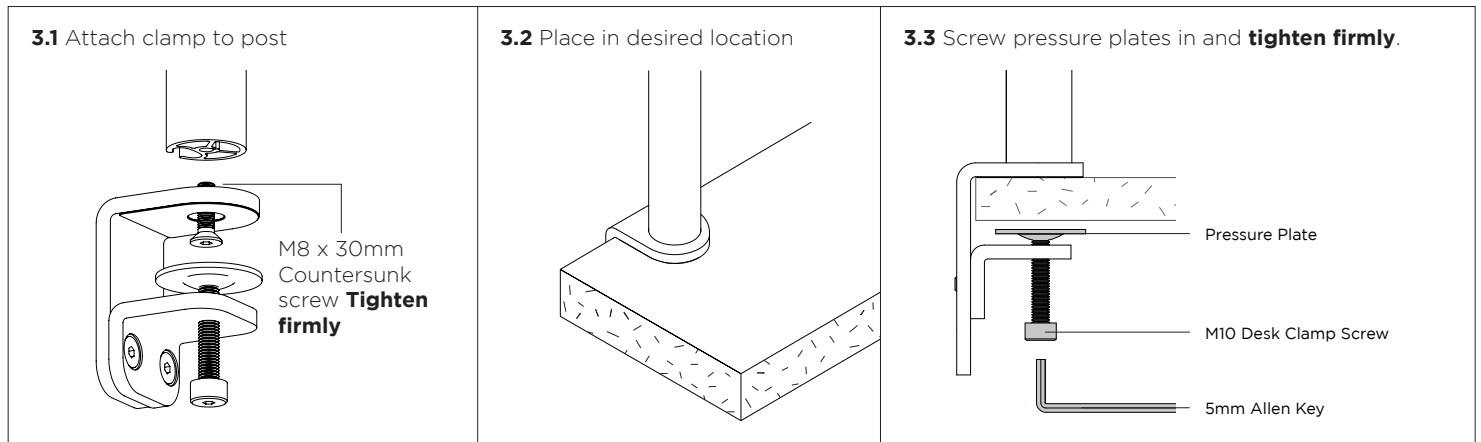
The desk clamp bracket can be repositioned to suit different mounting surface thicknesses.



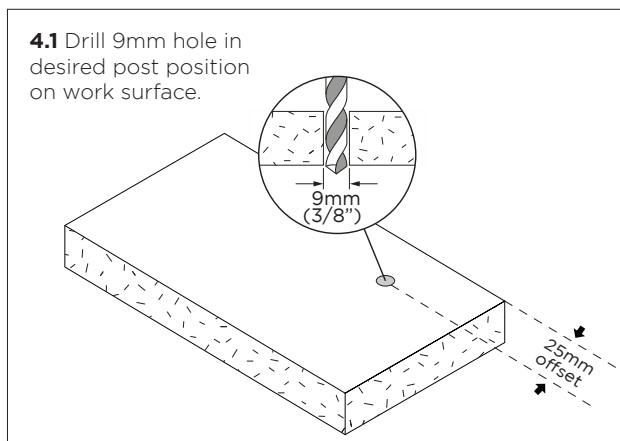
## 2. How to reconfigure desk clamp



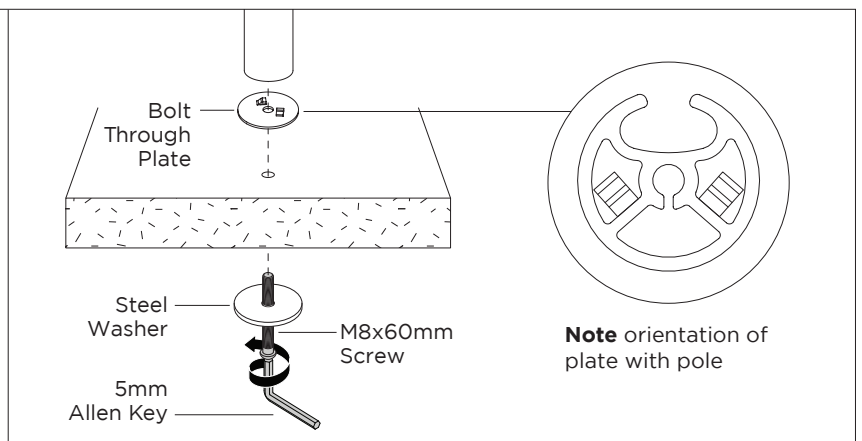
## 3. Post mount configuration



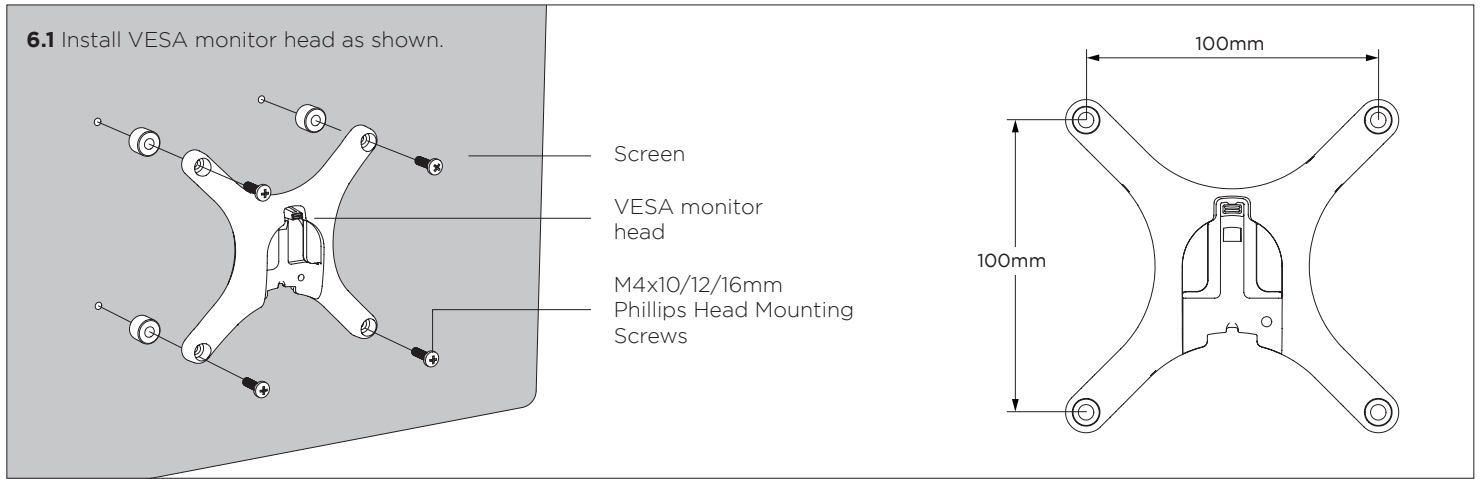
## 4. Bolt through - Drill Hole



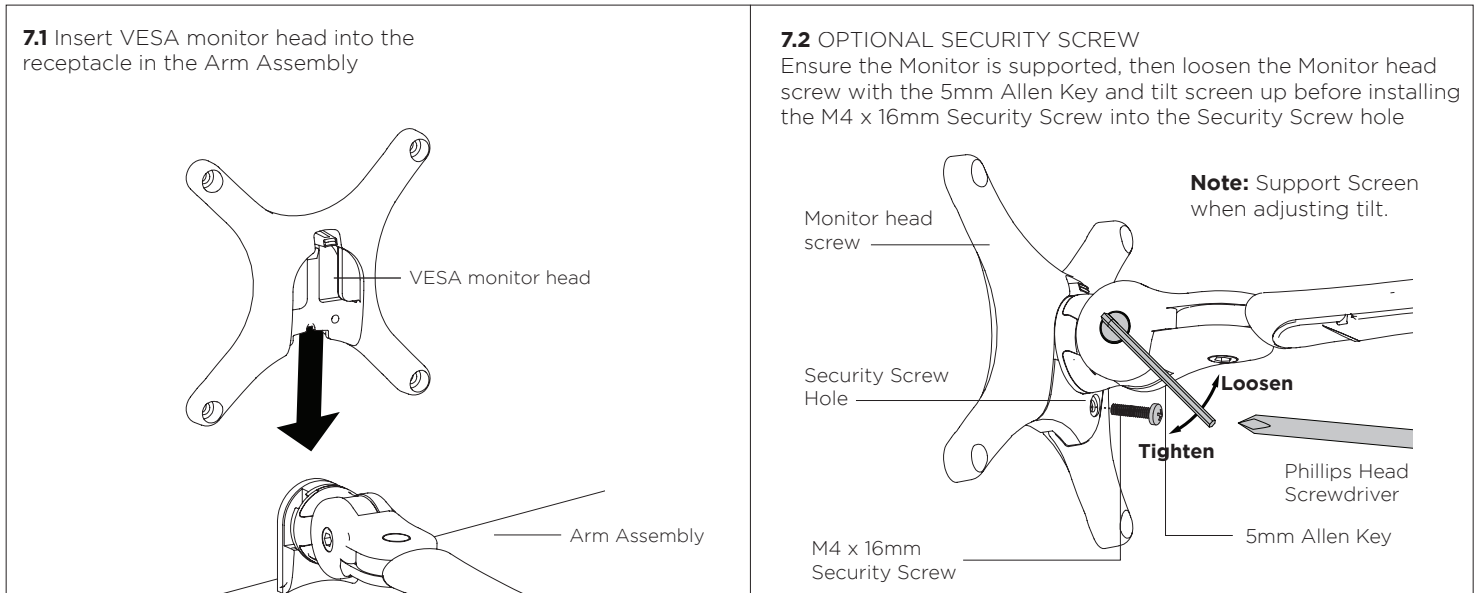
## 5. Bolt Pole to work surface



## 6. Install VESA monitor head



## 7. Mounting Monitor



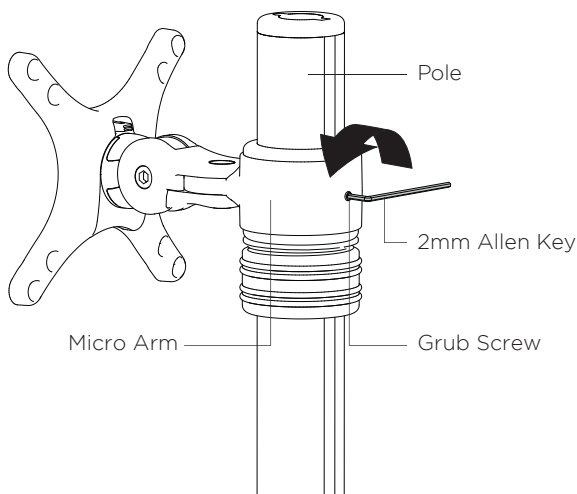
## 8. Unlock/Lock Arm Rotation (Note: Focus Micro comes assembled in the “Locked” Position.)

### Unlock

If you wish your Focus Micro Arm to have 360° rotation about the Pole you will need to unlock the arm's rotation

**Step 1:** Unlock the arm by turning the Grub Screw anti-clockwise removing the Grub Screw completely

**Note:** Store the Grub Screw in a safe place if you are to return the arm to the Locked position

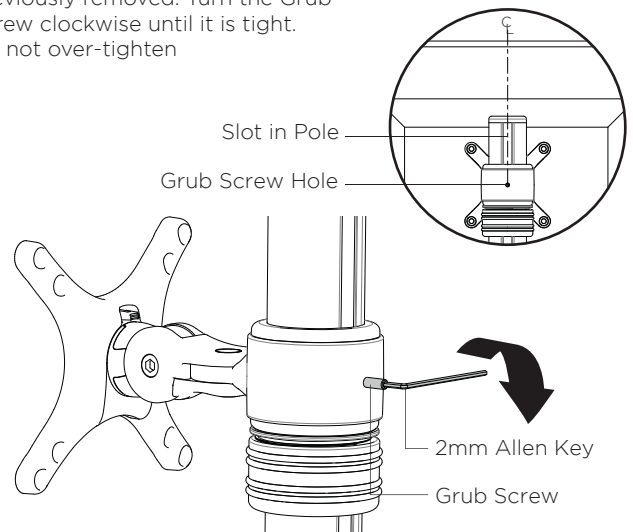


### Lock

If you have unlocked your Focus Micro Arm, but wish to fix rotation around the Pole, you will need to lock the arm

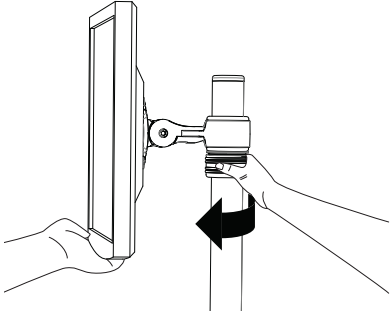
**Step 1:** Ensure the hole for the Grub Screw in the Micro Arm is lined up with the centre of the Slot in the Pole

**Step 2:** Re-insert the Grub Screw previously removed. Turn the Grub Screw clockwise until it is tight. Do not over-tighten

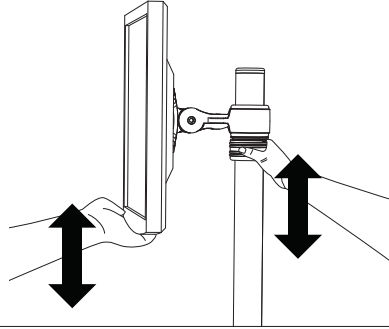


## 9. Adjusting Height

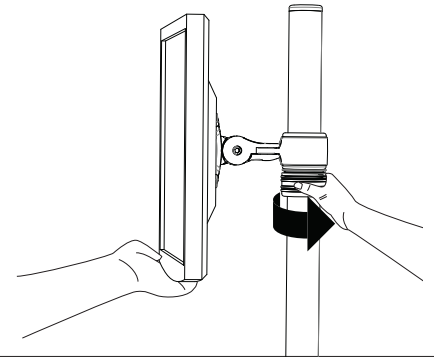
**9.1** Unlock Handgrip ensuring both screen and arm assembly are supported



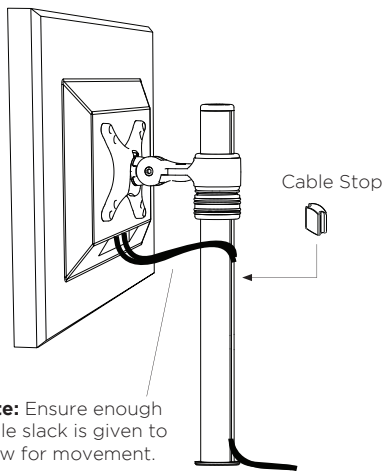
**9.2** Lift/Lower Screen to the desired height. Move both Screen and Arm assembly together.



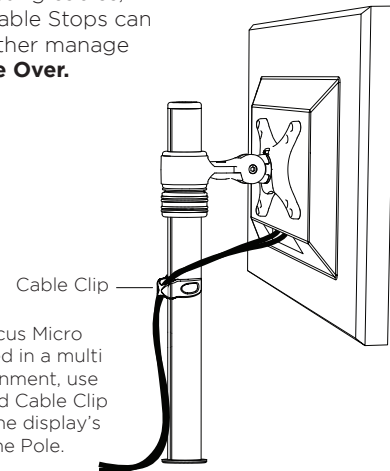
**9.3** Lock Handgrip firmly.



## 10. Cable Management

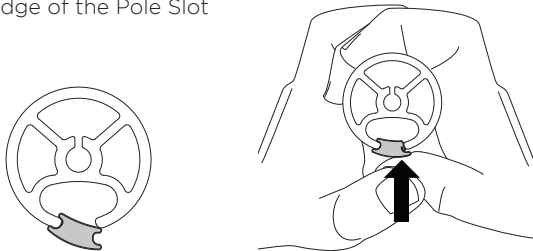


**10.2** After connecting cables, Cable Clips and Cable Stops can be installed to further manage cables. **Please See Over.**



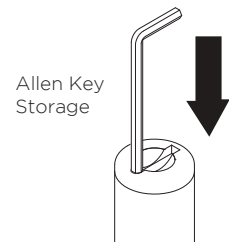
## 11. Insert Cable Stops

**11.1** Insert Cable Stop on one edge of the Pole Slot



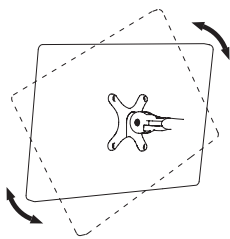
**Note:** Press down firmly onto the other edge of the Cable Stop and hold. This allows the rear profile to flex in place

**11.2** Insert allen key into top cap on pole



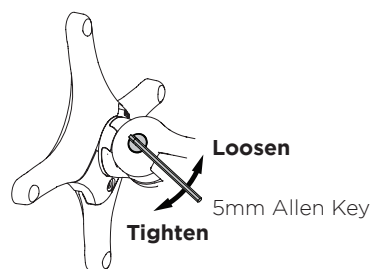
## 12. Adjusting the Display Bracket

**Portrait/ Landscape**



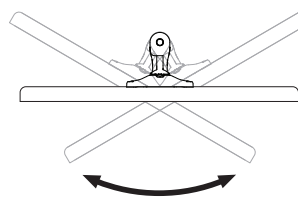
**No Allen Key necessary**

**Tilt** (Screen angle up/down)



**Note:** Support Screen when adjusting tilt.

**Pan** (Screen angle left/right)



**No Allen Key necessary**

**VESA 75 x 75 / 100 x 100mm**

