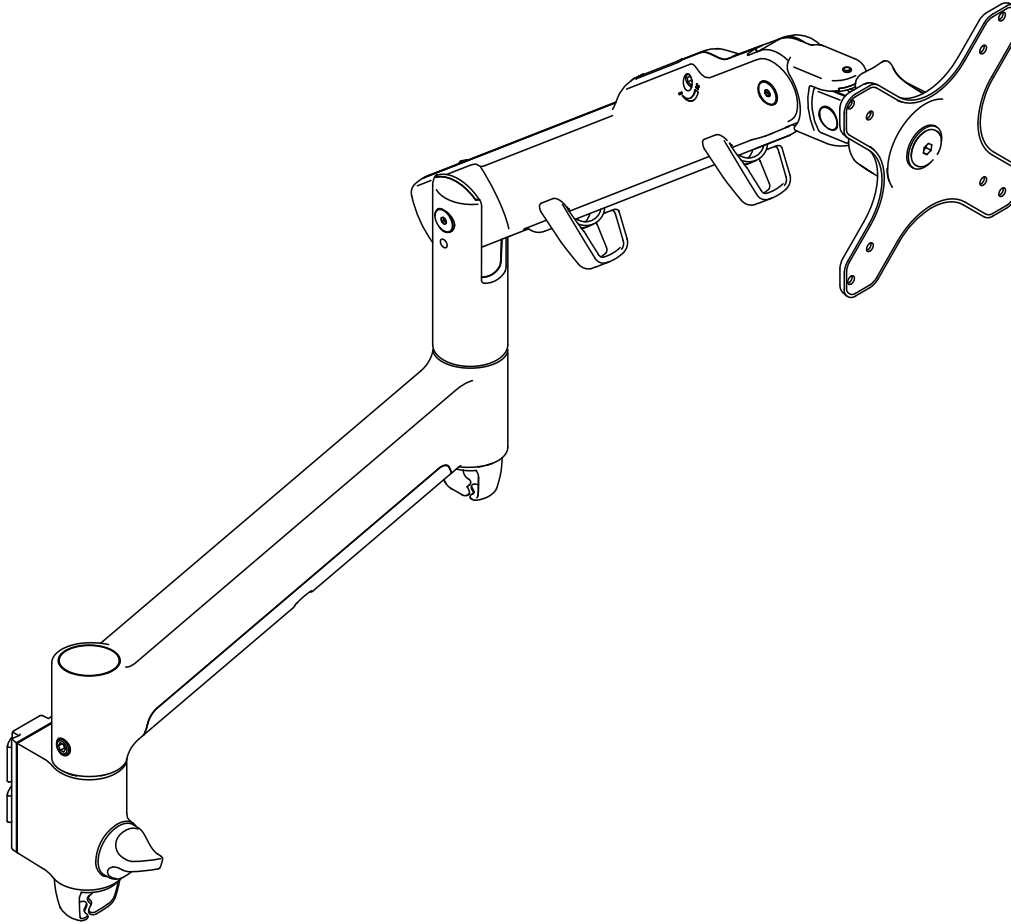


Dynamic Arm with Clamp



FEATURES

- Spring-assisted monitor arm with Post Clamp included for easy mounting to posts in the AWM modular product family.
- Dynamic Arm (AWM-AD) and Post Clamp (AWM-LC) also available separately.
- Adjustable counterbalance to suit a wide range of monitors.
- Tension gauge to make installation of multiple arms faster.
- Integrated 180° rotation limiter to prevent interference with desk mounted panels and dividers.
- Generous cable management guides cables discreetly down the arm to the work surface.

Monitor weight range

Flat monitor 0-9kg (0 - 20lb)*

Curved monitor 0-6kg (0 - 13.5lb)*

Horizontal adjustment 618mm (24.33")

Vertical adjustment 315mm (12.40")

Tilt adjustment +45 /- 25°

Monitor rotation 360°

VESA mounting 75x75 | 100x100

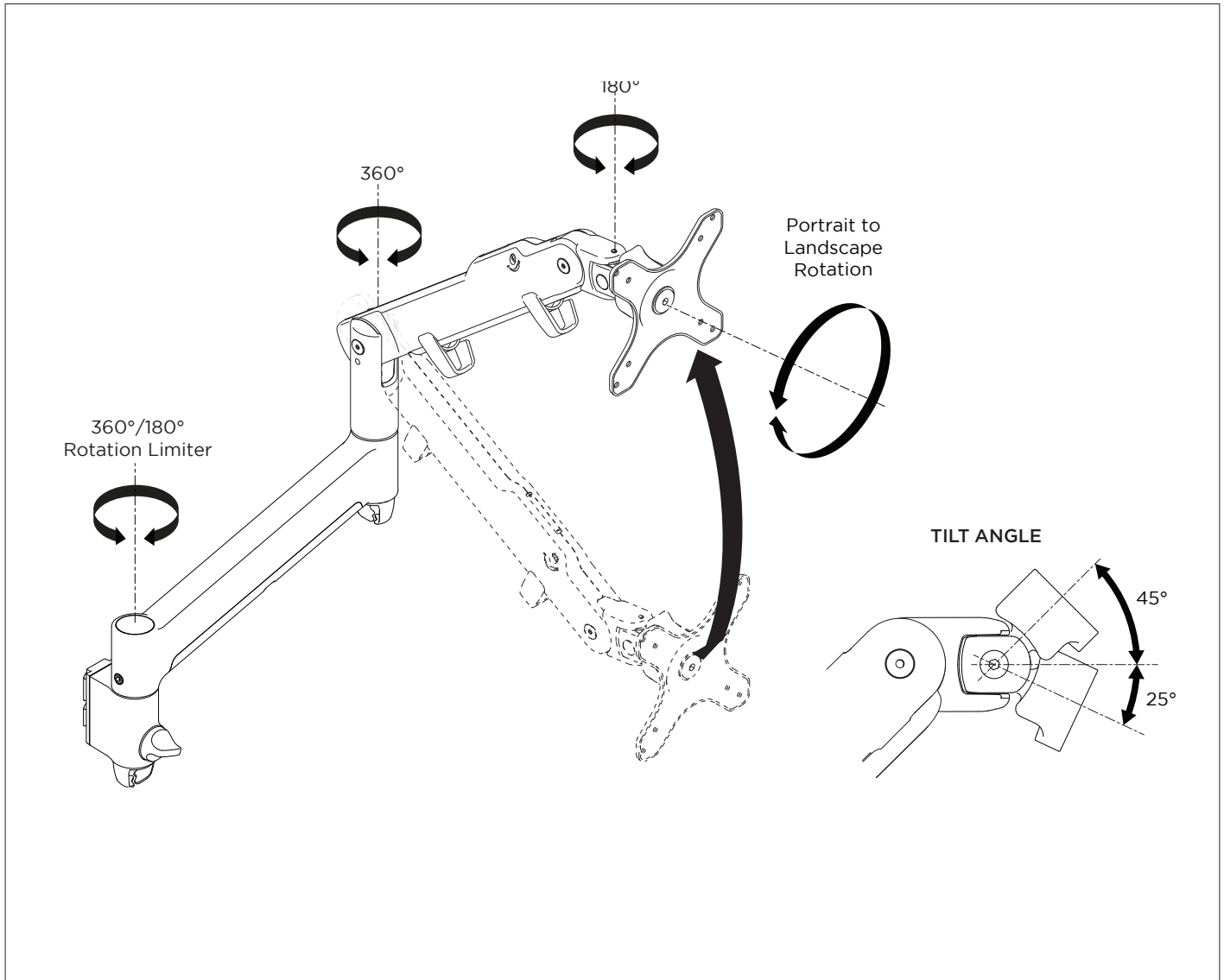
*Monitor weight should be within the weight range of all modular elements that make up the complete monitor mounting solution.

*Curved monitors, deep devices (such as all-in-one PCs) and offset VESA locations exert additional leverage that can exceed the capacity of the mount even though the monitor weight may be within the stated range. Please contact Atdec if you would like further information.

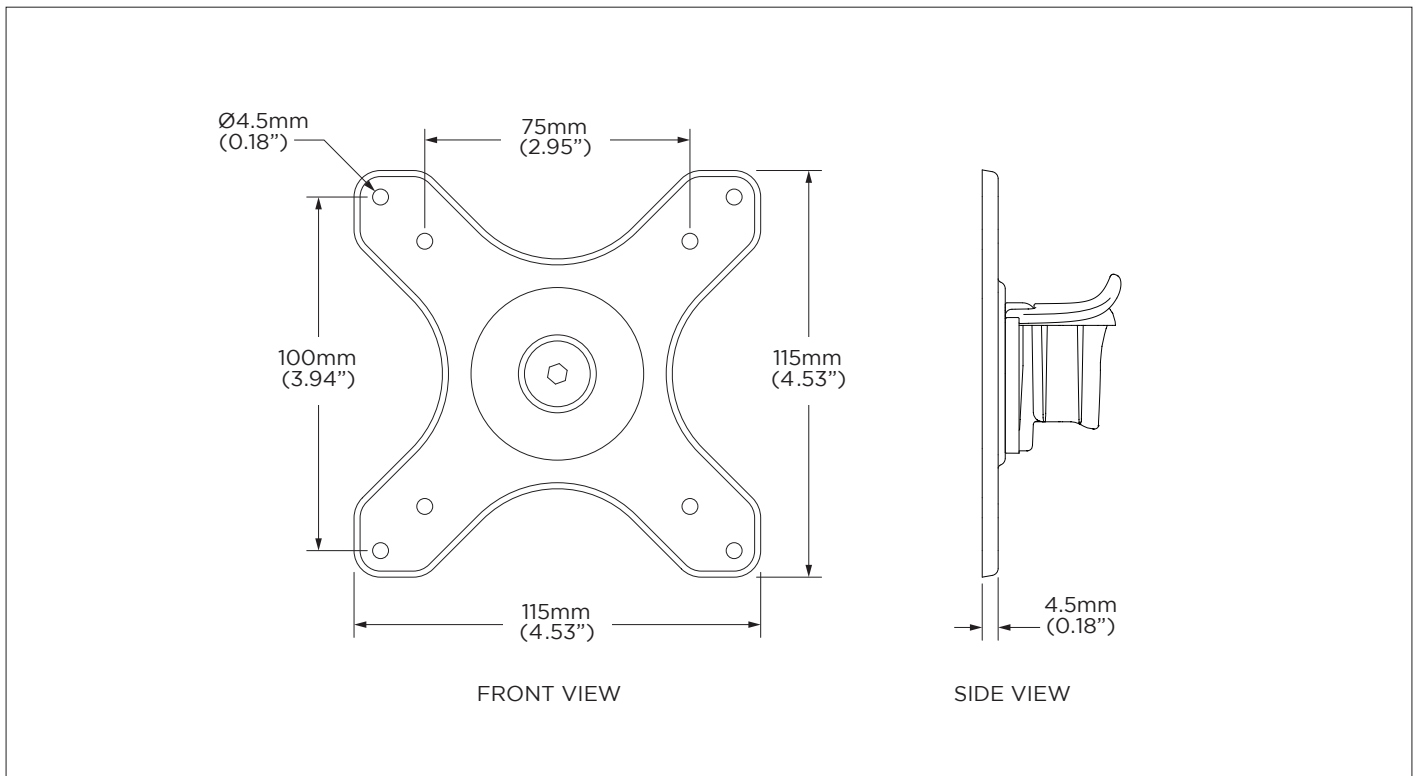
WARRANTY

10 years limited

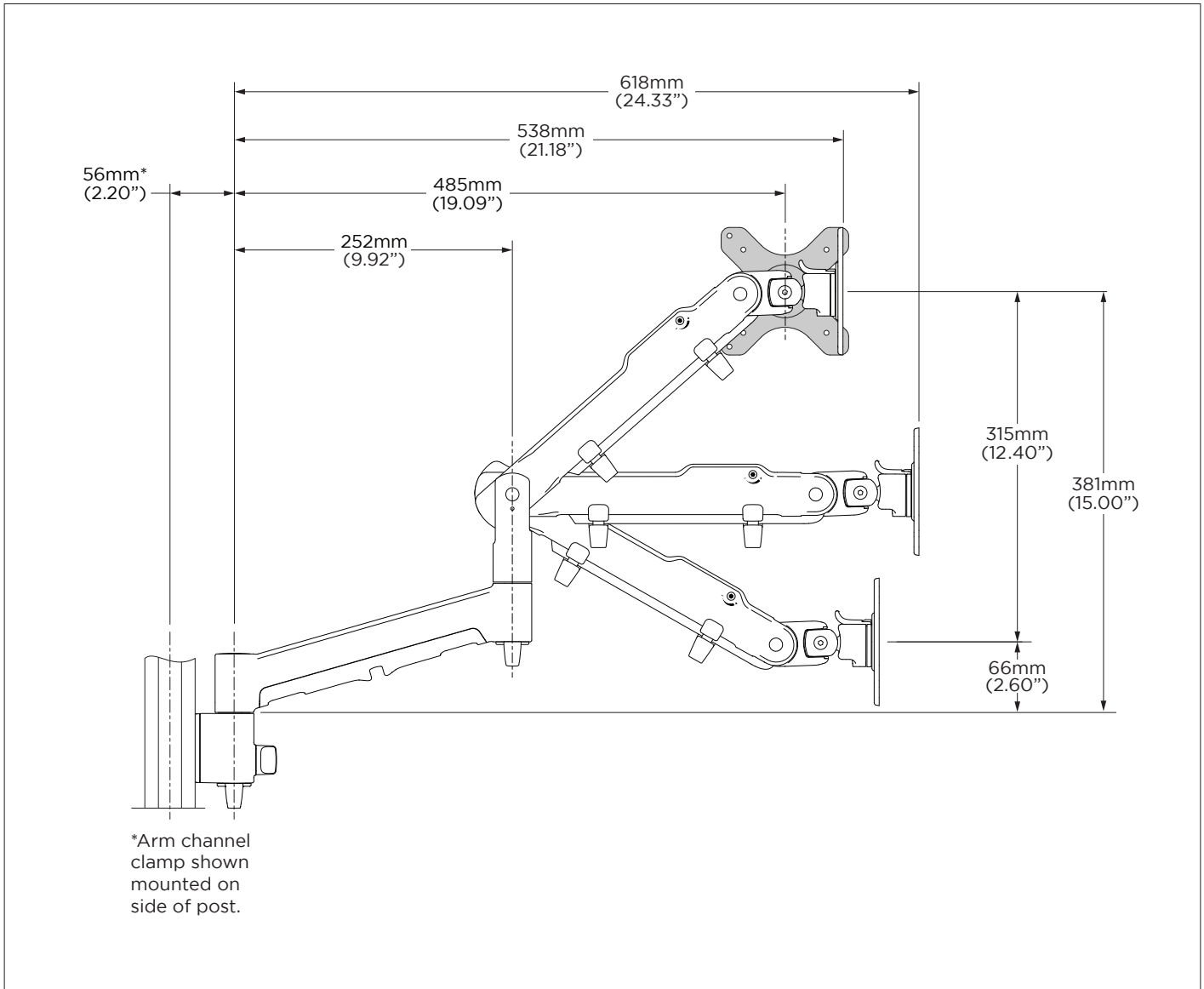
MOVEMENT - DYNAMIC ARM



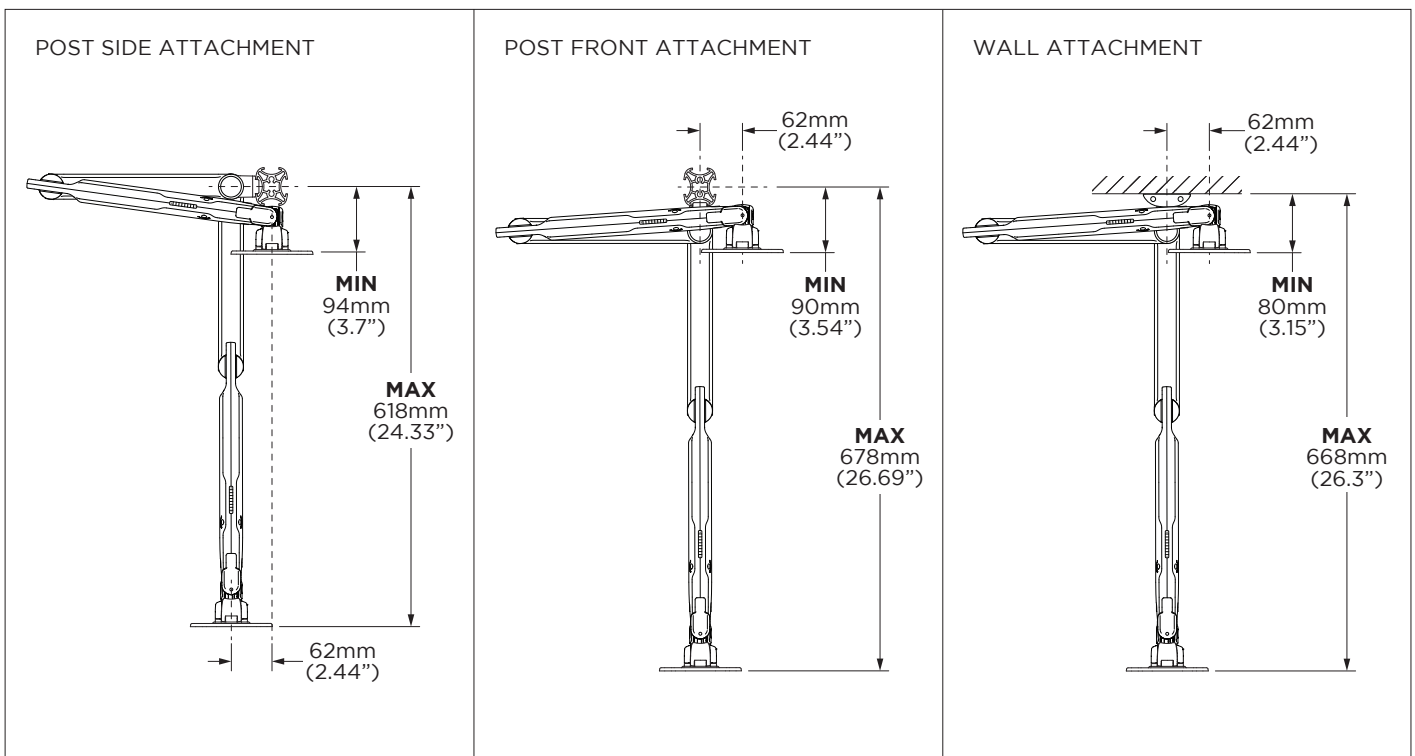
DIMENSIONS - VESA HEAD



DIMENSIONS - DYNAMIC ARM ON POST



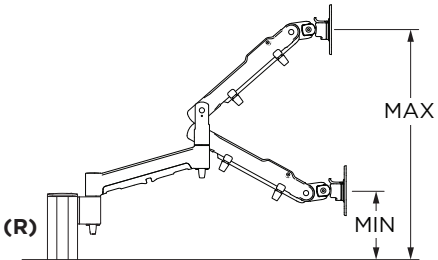
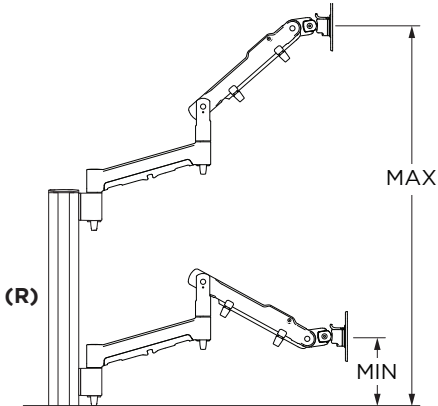
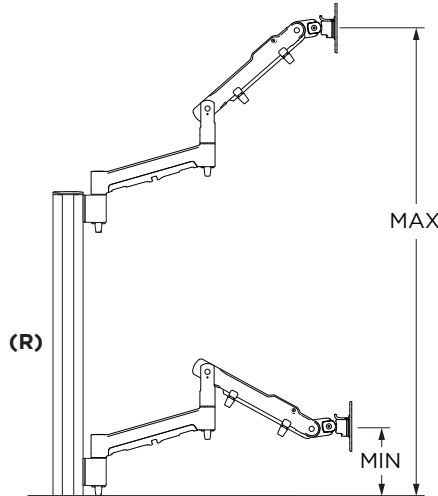
DIMENSIONS - DYNAMIC ARM ON POST AND WALL CHANNEL

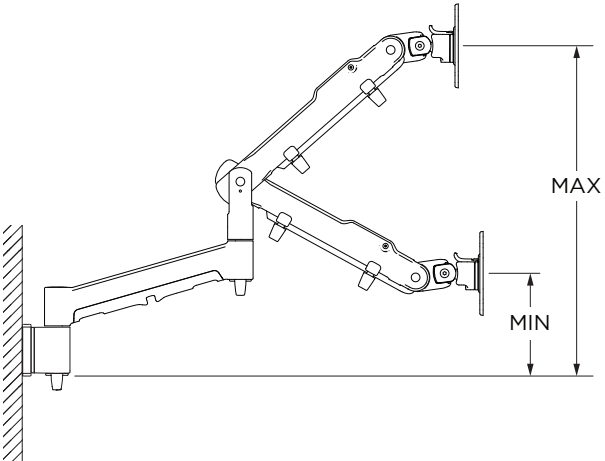
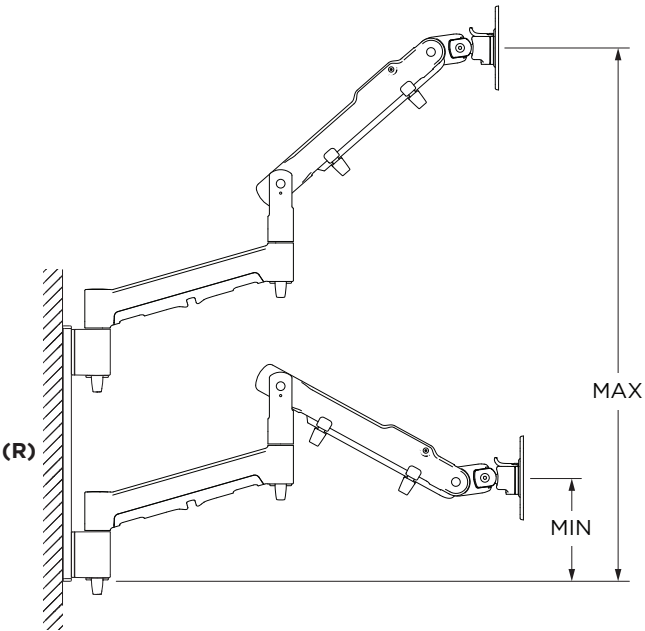


DIMENSIONS - HEIGHT ADJUSTMENT ON POSTS AND WALL CHANNELS

Important Note:

- Arm measurements taken from centre of VESA mount.
- Post measurements taken from the bottom of the post. Add thickness of the fixing (see fixings section) to min and max dimensions.
- Wall Channel measurements taken from bottom of wall channel.
- On posts mounted with the C Clamp (AWM-FC) add 26mm to the minimum height.

<p>135 Post AWM-P13</p>  <p>MIN HEIGHT 132mm (5.2") MAX HEIGHT 500mm (19.68") RANGE (R) 368mm (14.49")</p>	<p>400 Post AWM-P40</p>  <p>MIN HEIGHT 132mm (5.2") MAX HEIGHT 765mm (30.12") RANGE (R) 633mm (24.92")</p>	<p>750 Post AWM-P75</p>  <p>MIN HEIGHT 132mm (5.2") MAX HEIGHT 1115mm (43.9") RANGE (R) 983mm (38.7")</p>
---	--	--

<p>60 Wall Channel AWM-W6</p>  <p>MIN HEIGHT 115mm (4.53") MAX HEIGHT 430mm (16.93") RANGE (R) 315mm (12.4")</p>	<p>350 Wall Channel AWM-W35</p>  <p>MIN HEIGHT 115mm (4.53") MAX HEIGHT 728mm (28.35") RANGE (R) 613mm (23.82")</p>
---	---