

# TH-1040-CT

Display ceiling mount

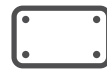
**The TH-1040-CT ceiling mount is designed for small to medium size displays.** It is ideal for retail and commercial environments, offering exceptional durability and multiple display adjustment options. Available in black or white, short or long telescopic pole options.



## Ceiling mounting solutions

Height adjustable pole

- TH-1040-CTS: 400 - 900mm
- TH-1040-CTL: 900 - 1800mm



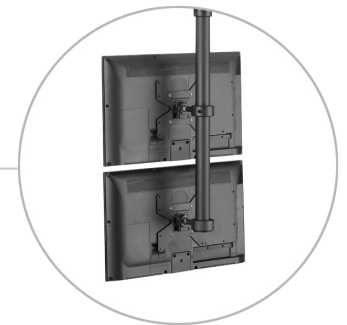
75 x 75, 100 x 100  
200 x 100, 200 x 200  
Can support up to 400 x 400  
via AC-AP-4040 adaptor plate



25kg per display



Ball joint mechanism  
allows display adjustment of up to 20° in any direction



Dual Display  
option for vertical or back to back configuration

Landscape to portrait  
display rotation

Display rotation  
around the pole:  
360° or fixed



Advance Cable Management

Quick release/  
attachment  
display mechanism with  
security screw



Available in black or white

10 year warranty



## Ordering TH-1040-CT

Code	Pole length, mm	Colour	Dual display configuration (available in black only)
TH-1040-CTS	400 - 900	Black	
TH-1040-CTL	900 - 1800	Black	<b>Dual back-to-back:</b> add TH-1040-CT-B2B kit
TH-1040-CTSW	400 - 900	White	<b>Dual vertical:</b> add TH-1040-CT-B2B and TH-1040-CT-RCK kits
TH-1040-CTLW	900 - 1800	White	



Atdec Uncover™ is where our infinite mounting possibilities become your specific mounting solutions.

