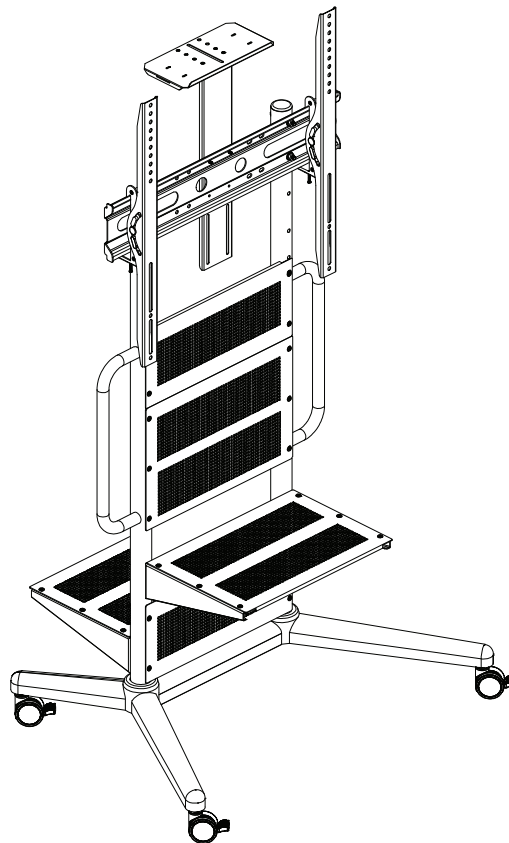




5J.BQP11.025 Instruction Manual



We are here to help!

Thank you for choosing BenQ. Before beginning installation, please check all parts are included and undamaged. BenQ intends to make this manual accurate and complete. However, BenQ makes no claim that the information contained herein covers all details, conditions, or variations. Nor does it provide for every possible contingency on connection with the installation or use of this product. The information contained in this document is subject to change without notice or obligation of any kind. BenQ makes no representation of warranty, expressed or implied, regarding the information contained herein, BenQ assumes no responsibility for accuracy, completeness or sufficiency of the information contained in this document.

For any parts enquiries, please contact BenQ as below:

Australia P 1300 130 336
E bqausales@benq.com

IMPORTANT SAFETY INSTRUCTIONS – SAVE THESE INSTRUCTIONS – PLEASE READ ENTIRE MANUAL PRIOR TO USE

WARNING: A WARNING alerts you to the possibility of serious injury or death if you do not follow the instructions.

CAUTION: A CAUTION alerts you to the possibility of damage or destruction of equipment if you do not follow the corresponding instructions.

WARNING: Failure to read, thoroughly understand, and follow all instructions can result in serious personal injury, damage to equipment, or voiding of factory warranty! It is the installer's responsibility to make sure all components are properly assembled and installed using the instructions provided.

WARNING: Failure to provide adequate structural strength for this component can result in serious personal injury or damage to equipment! It is the installer's responsibility to make sure the structure to which this component is attached can support five times the combined weight of all equipment. Reinforce the structure as required before installing the component.

WARNING: Exceeding the weight capacity can result in serious personal injury or damage to equipment! It is the installer's responsibility to make sure the combined weight of all components attached to the 5J.BQP11.025 up to (and including) the display does not exceed 276 lbs (125kg). Use with heavier televisions may result in instability causing tip over resulting in death or serious injury!

WARNING: Use this mounting system only for its intended use as described in these instructions. Do not use attachments not recommended by the manufacturer.

WARNING: Never operate this mounting system if it is damaged. Return the mounting system to a service center for examination and repair.

WARNING: Do not use this product outdoors.

WARNING: RISK OF INJURY TO PERSONS! Do not place video equipment such as televisions or computer monitors on trolley legs.

WARNING: RISK OF SERIOUS INJURY OR DEATH! Placing a remote control or toy on the trolley may encourage a child to climb onto the cart causing the trolley to tip over onto the child. DO NOT place remote controls or toys on the trolley!

WARNING: RISK OF SERIOUS INJURY OR DEATH! Relocating audio and/or video equipment to the trolley may result in the trolley collapsing or overturning onto a child. DO NOT relocate audio and/or video equipment to the trolley!

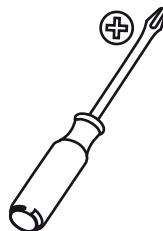
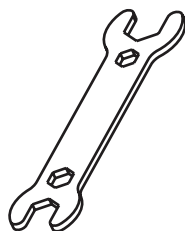
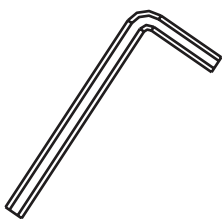
NOTE: The 5J.BQP11.025 trolley has no user serviceable parts.

NOTE: The 5J.BQP11.025 trolley can support screen sizes up to a maximum of 86" wide.

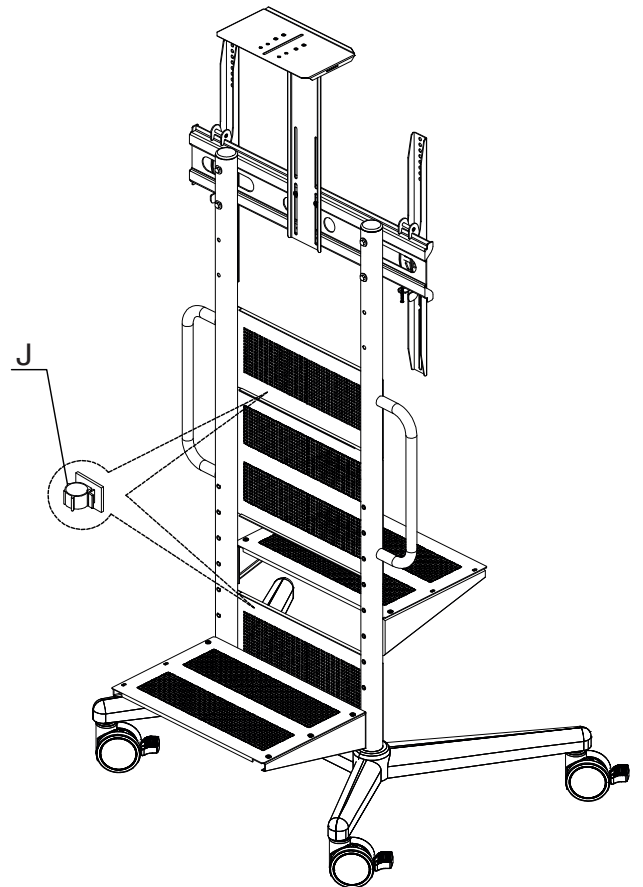
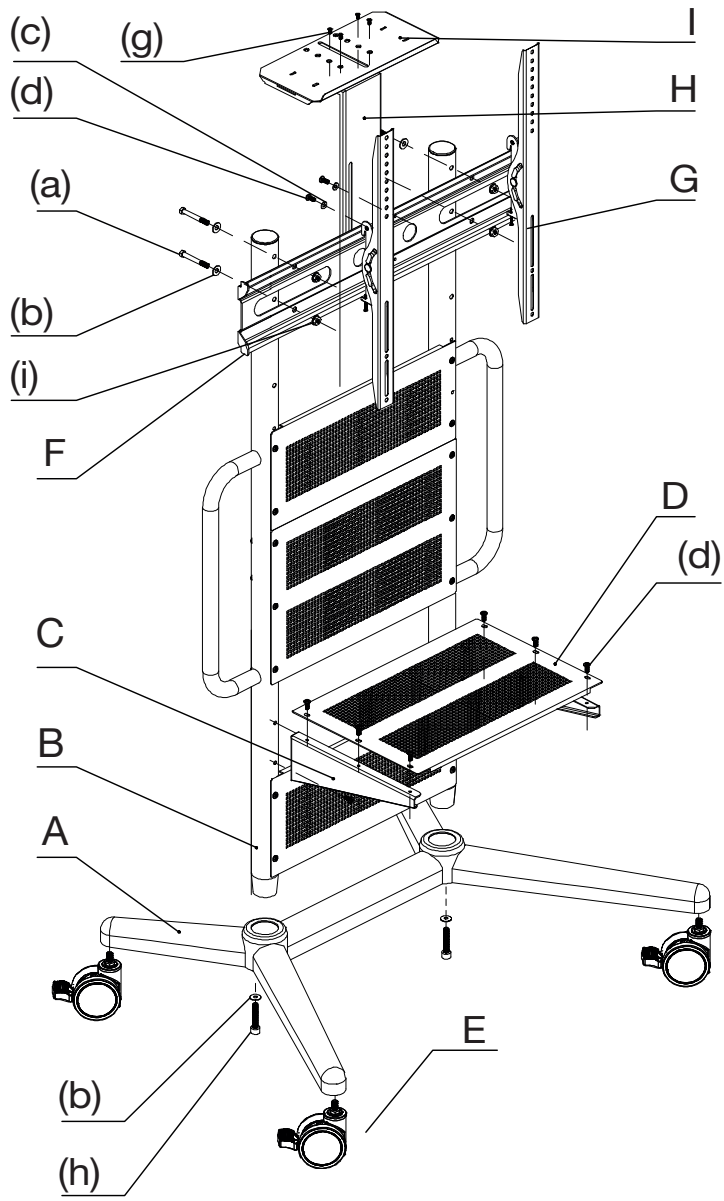
NOTE: Due to continuous product improvement, images shown in this manual may vary from actual product.

--SAVE THESE INSTRUCTIONS--

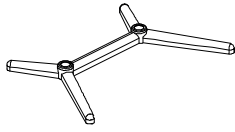
Tools



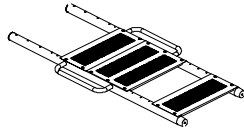
Supplied parts and Hardware



Supplied parts and Hardware



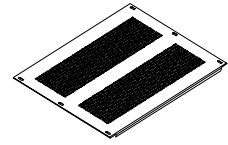
A Base



B Frame



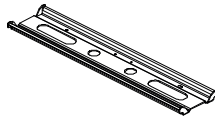
C Shelf Support (x4)



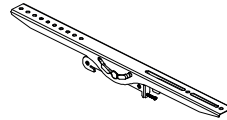
D Shelf Tray (x2)



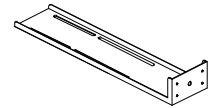
E Lockable Castor (x4)



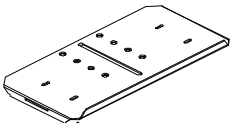
F Back Plate



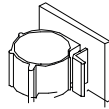
G TV Mount Arm (x2)



H Adjustable Camera Support Rail



I Camera Baseplate



J Cable Management Clip (x3)



(a) M8 x 65 Hex screw (x4)



(b) M8 Washer (x10)



(c) M6 Washer (x6)



(d) M6 x 16 Philips screw (x22)



(e) M6 x 14 with inner face screw (x4)



(f) M8 x 20 with interface screw (x4)



(g) M5 x 8 Countersink screw (x4)



(h) M8 x 40 inner hex screw (x2)



(i) Nut (x4)

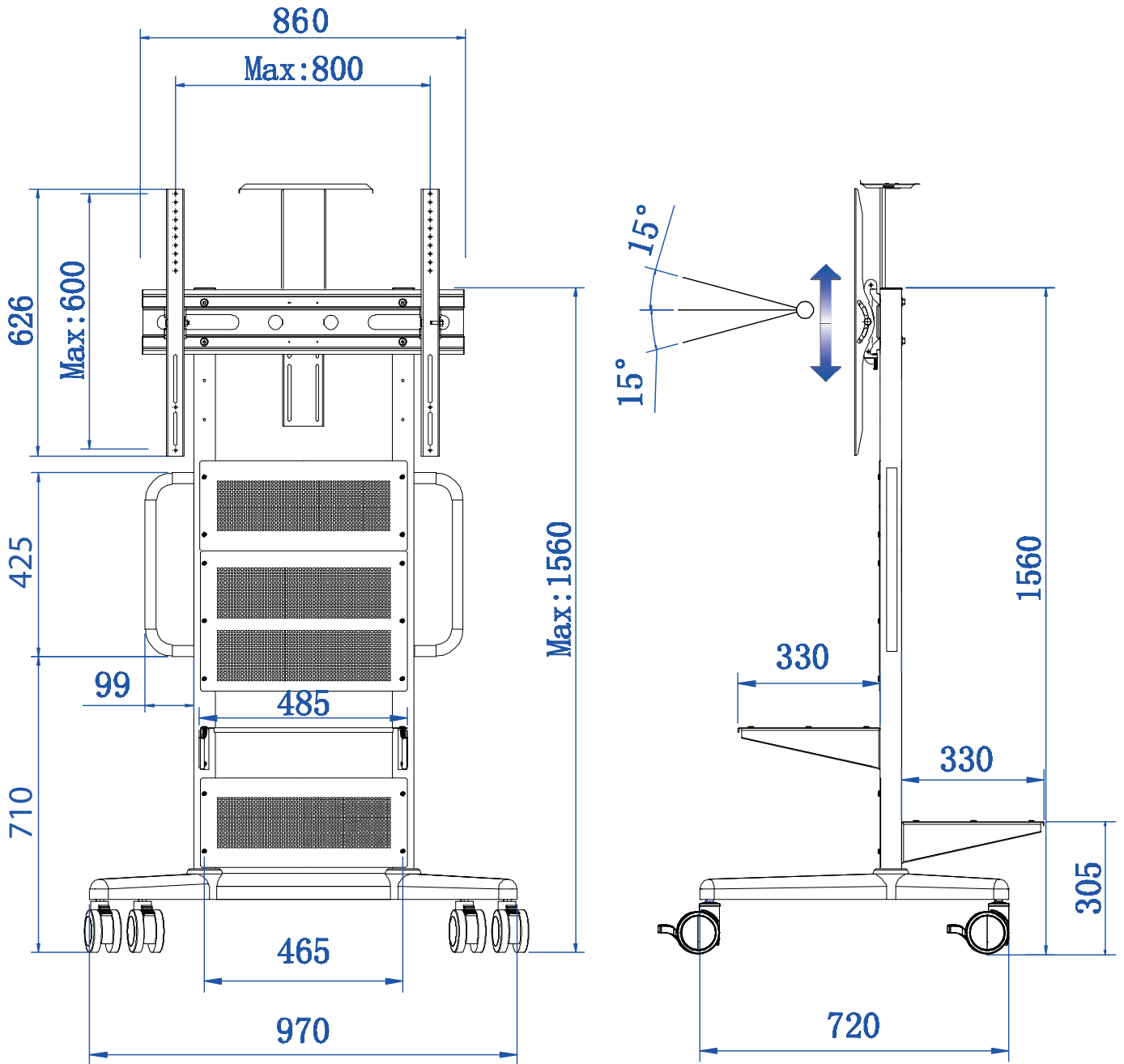


(j) 6 x 6 Allen Key (x1)

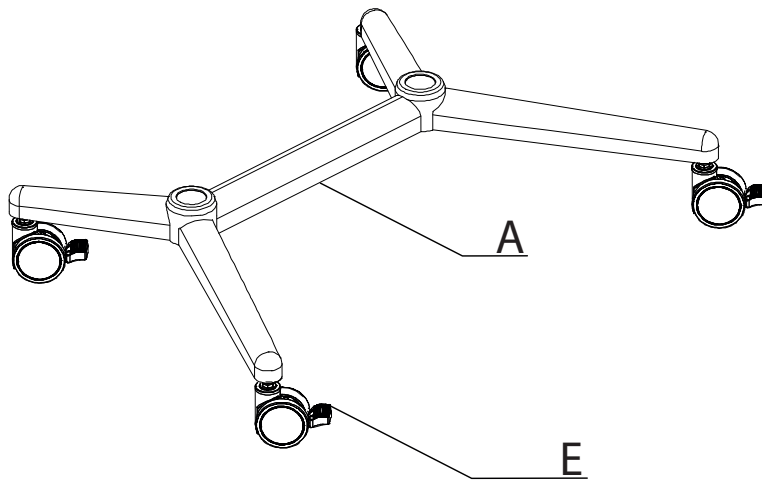


(k) Wrench (x1)

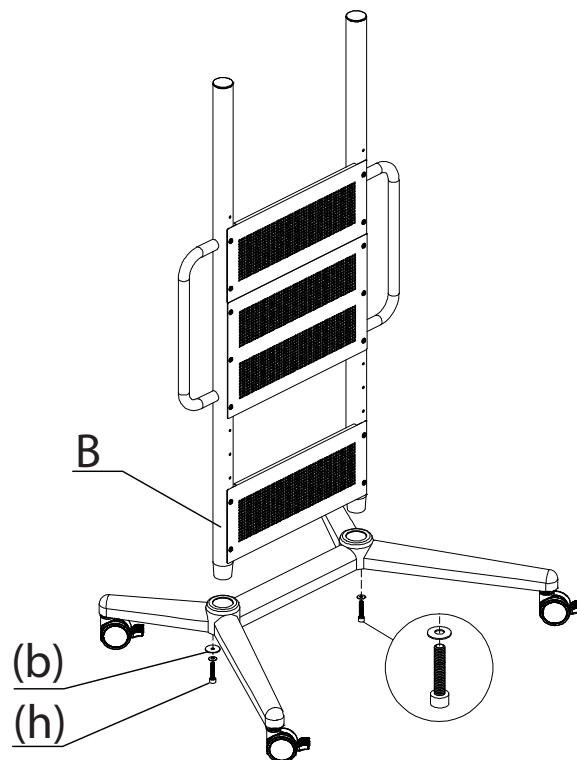
Dimensions



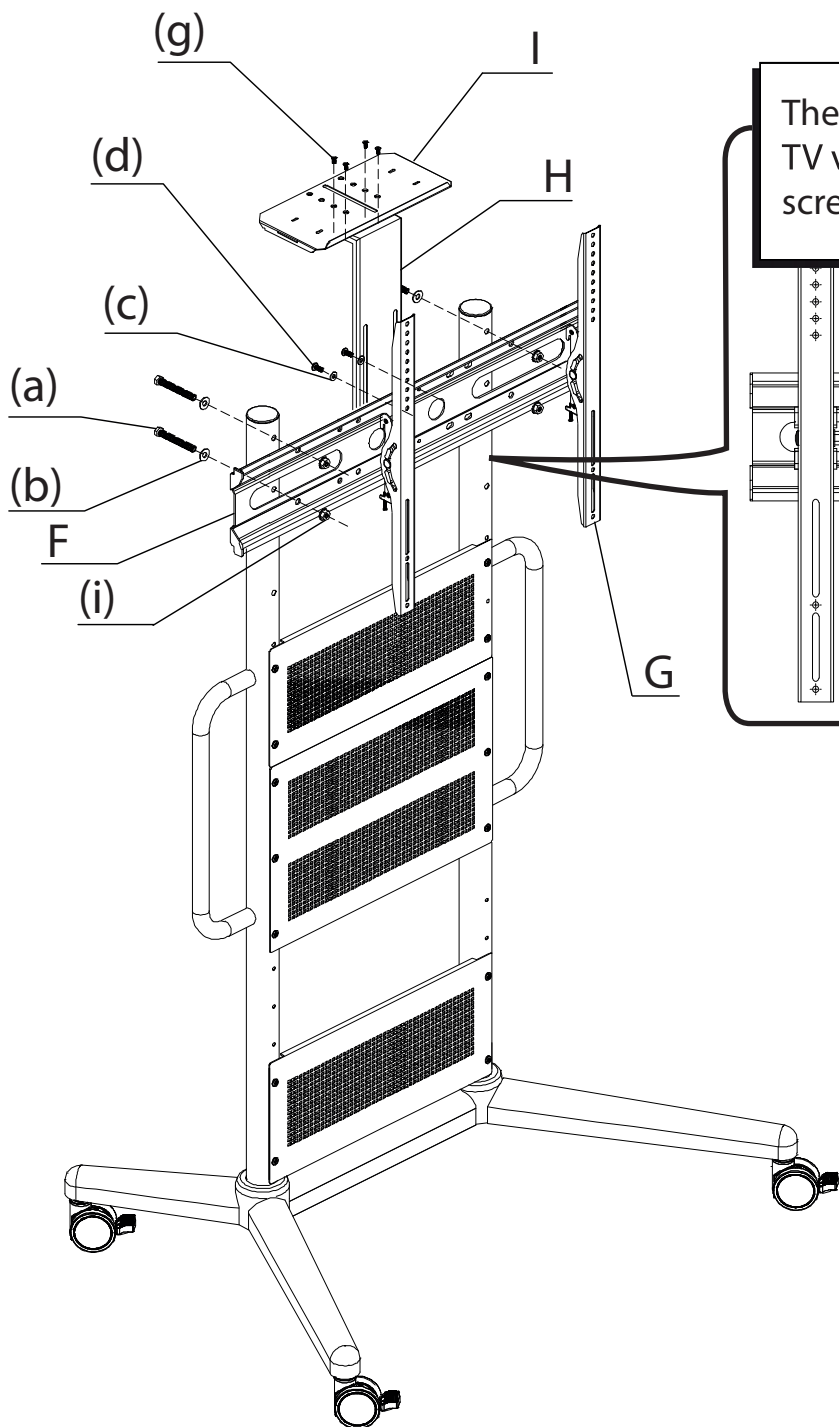
1 Install Casters to the Base



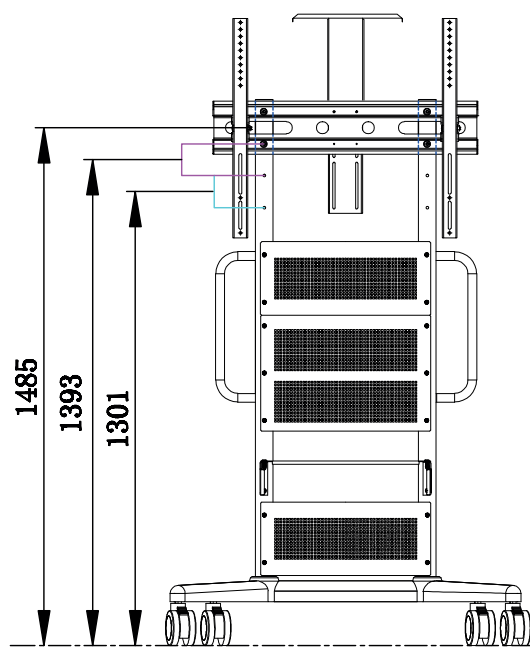
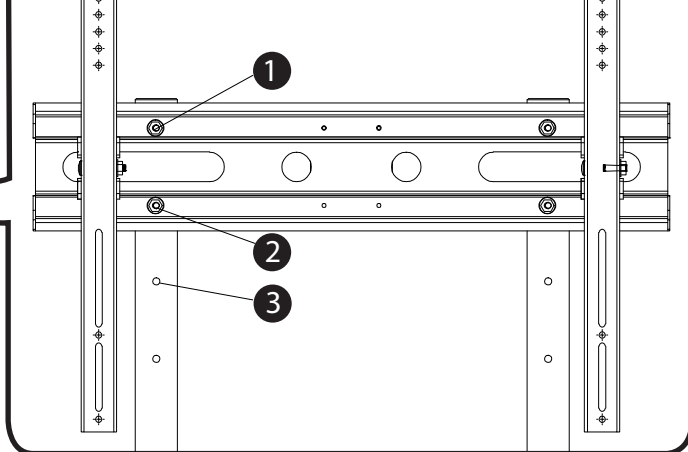
2 Install Frame to the Base



3 Install TV Mount to the Frame in Desired Location

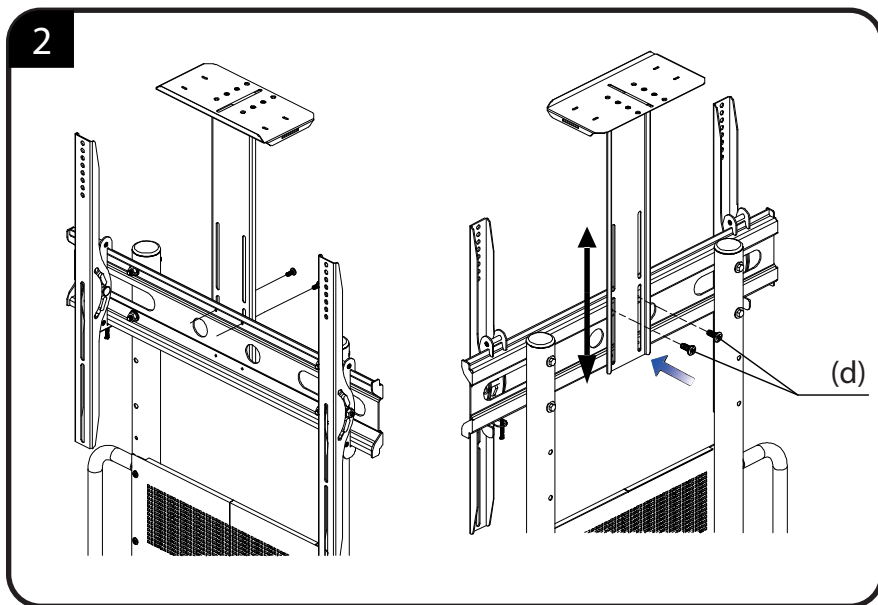
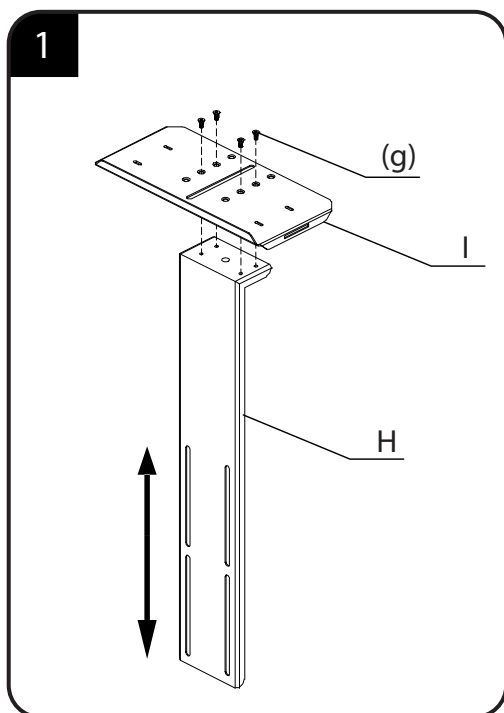


There are three heights you can adjust the TV via installing on different two sets of screw holes. Please see below:

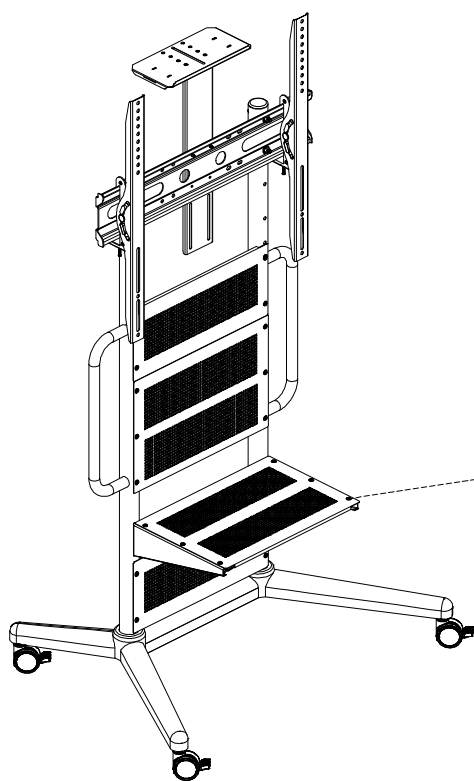


The height from the centre of the TV to the floor

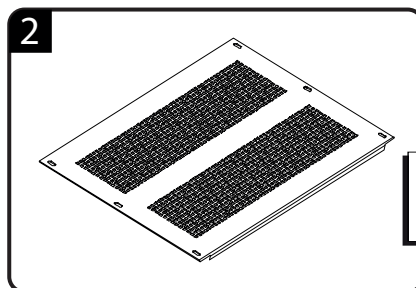
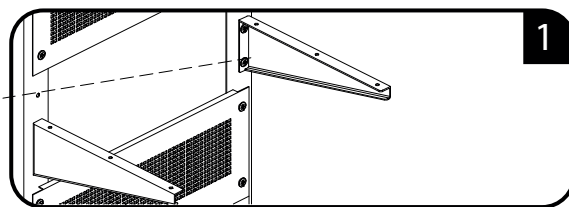
4 Install Camera Shelf in Desired Location



5 Install Shelf Support Rail



Choose which position is desired for shelves. Multiple locations are available on the front and back of TV trolley. Put the shelf support into desired location.

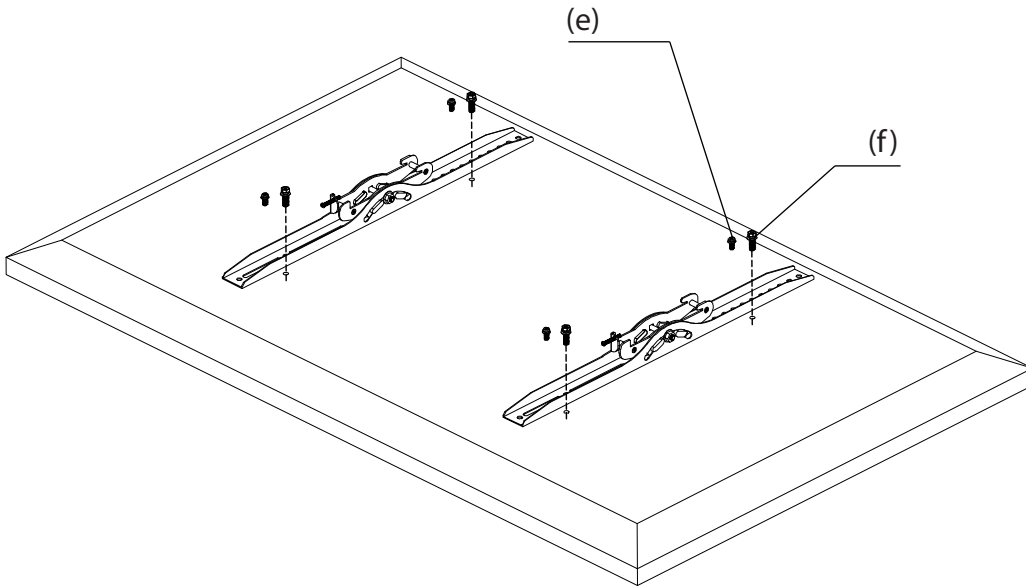


Attach the front and back trays.

6 Install TV to the TV Mounts

1

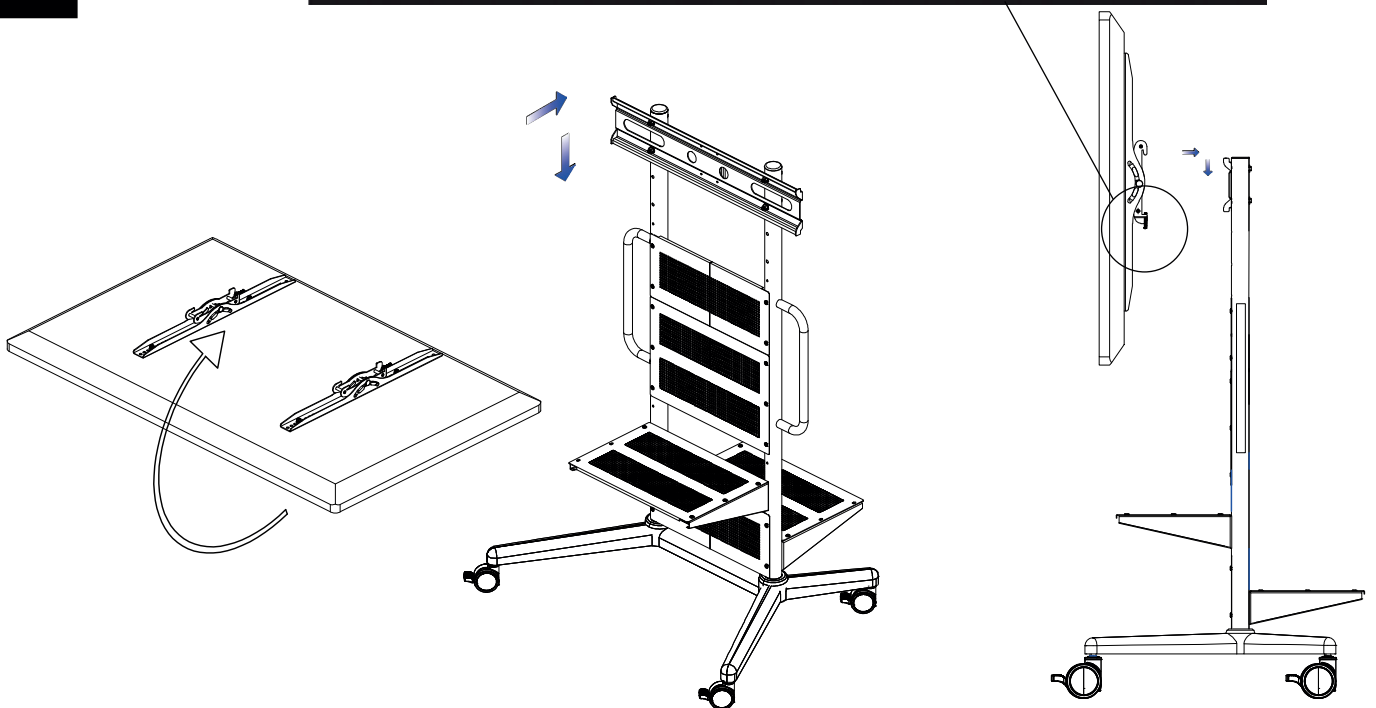
Check the TV's installation hole, and use the appropriate parts (f) or (e) to install the TV to the mount arm.



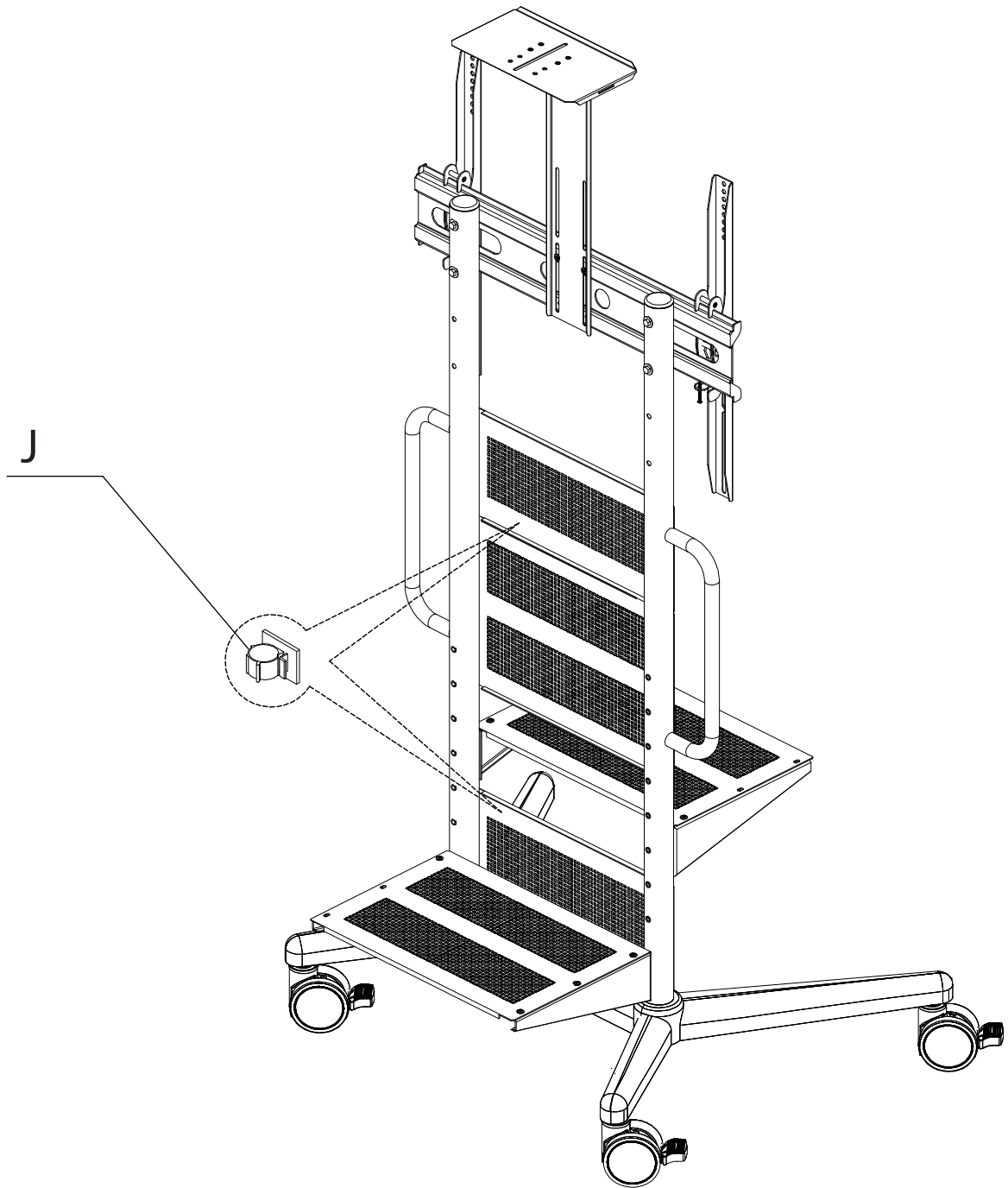
2

Flip the TV and hang it on the backplate.

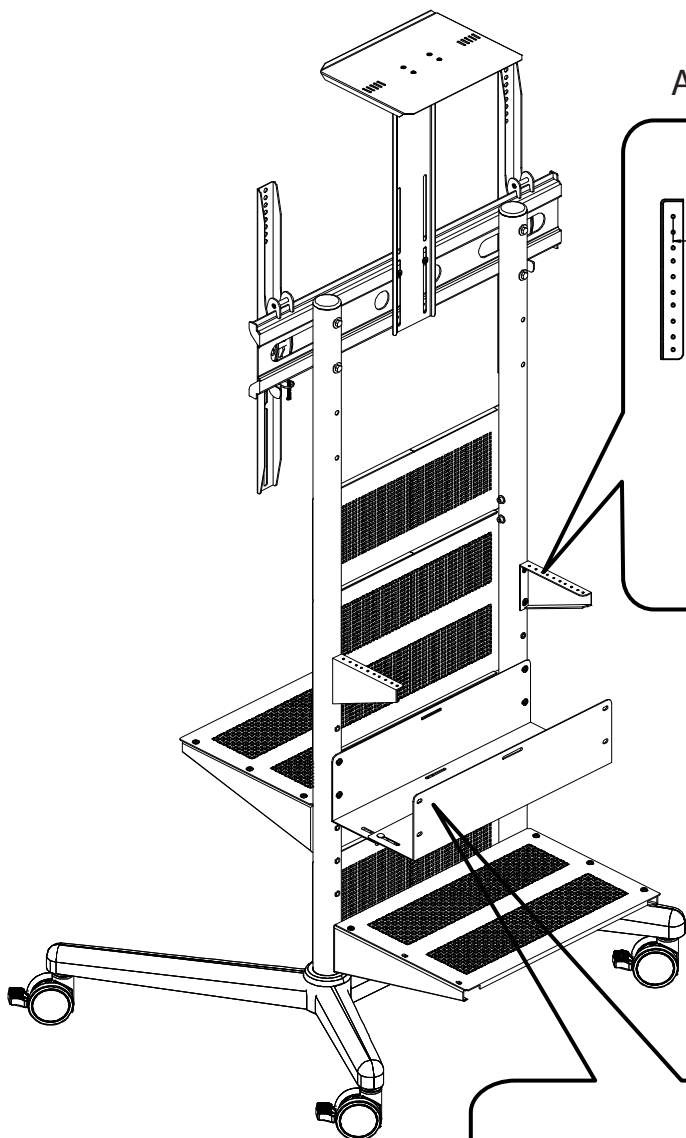
⚠ CAUTION: Make sure the screws are tightened once TV is in position to secure the TV.



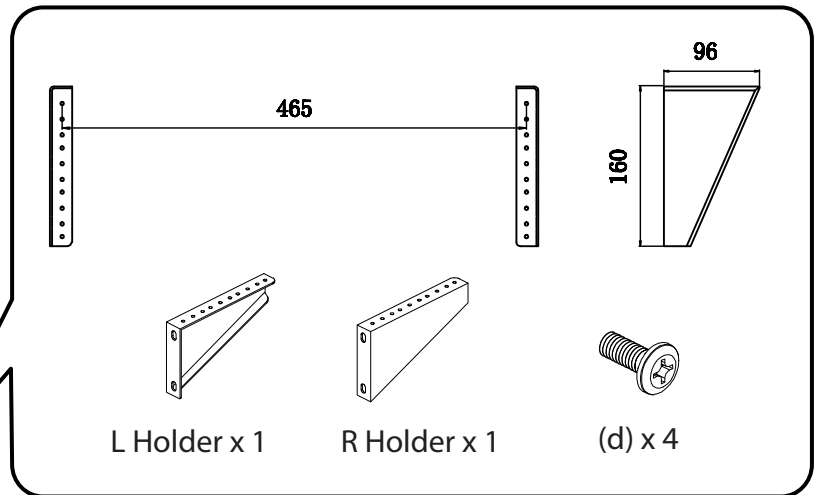
7 Cable Management



8 Optional Accessories



A. Rack Mount Kit



B. PC Holder

