



The Sound That Will Move You.



EARTHQUAKE MARINE SPEAKERS Owner's Manual & Warranty

M5

2-WAY 5" COAXIAL SPEAKER



M6

2-WAY 6" COAXIAL SPEAKER

MC5

5" MATCHED COMPONENT SET



MC6

6" MATCHED COMPONENT SET



The Sound That Will Move You.

Earthquake Sound reserves the right to amend details of the specifications without notice.

Copyright © Earthquake Sound Corporation

Earthquake Sound Corporation • 2727 McCone Avenue Hayward CA, 94545 • Phone: 510-732-1000 Fax: 510-732-1095

www.earthquakesound.com

MARINE

High-Performance, Protection and Sound Quality

Table of Content

Page# 3.....Warranty guidelines

Page# 4.....Components set dimensions

Page# 5.....Coaxial dimensions / Coaxial and component specs

Page# 6 & 7.....Instalation

Thank you for choosing Earthquake Sound's line of Earthquake Marine coaxial and component sets for superior enhancement of your water craft audio system. With proper installation and responsible listening, your marine speakers will give you years of near perfect sound reproduction.

We strongly recommend you to have your new marine speakers installed by an authorized Earthquake Sound dealer: Installation professionals employed by your dealer have the correct tools and knowledge to install your speakers neatly and successfully. Also, when your new products are installed by an authorized dealer, your product will include a FIVE YEAR LIMITED WARRANTY. If you choose to perform your own installation, your warranty will be subject to limitations. Dealer policies on handling warranty requests may vary from one dealer to the next. Please read the warranty information in its entirety and use good judgment when making these vital decisions.

Please keep this warranty information in your files for future reference if necessary. It is recommended that you stick your serial number here for future reference.

SERIAL NUMBER

Five (5) year limited warranty:

Earthquake warrants the original purchaser that all Factory Sealed New Audio Products be free from defects in material and workmanship under normal and proper use for a period of five (5) years from the date of purchase (as shown on the original bill of sale with serial number affixed/written on it). The five (5) year warranty period is valid only if an authorized Earthquake dealer properly installs the product and the warranty registration card is properly filled out and sent to Earthquake Sound Corporation. If a non-authorized party installs the product a ninety (90) day warranty period will be applied.

(A) Five (5) years limited warranty plan coverage guidelines:

- **First year:** Earthquake pays for labor, parts, and return ground freight (only in US mainland, not including Alaska and Hawaii).
- **Second year:** Earthquake pays for labor and parts only, customer must pay freight both ways.
- **Third, fourth & fifth year:** Earthquake pays for labor only. Customer must pay for parts and freight both ways.

(B) Warning:

Products (sent for repair) that are tested by Earthquake technicians and deemed to have no problem(s) will not be covered by the five (5) year limited warranty. Customer will be charged a minimum of one (1) hour of labor (ongoing rates) plus shipping charges back to customer.

(C) Earthquake will repair or replace - at our option - all defective products/parts subject to the following provisions:

- Defective products/parts have not been altered or repaired by other than an Earthquake factory approved technician.
- Products/parts are not subjected to negligence, misuse, improper use, or accident, damaged by improper line voltage, used with incompatible products, or have its serial number or any part of it altered, defaced or removed, or have been used in any way that is contrary to Earthquake's written instructions.

(D) Warranty Limitations:

Warranty does not cover products that have been modified or abused. Including but not limited to the following:

- Damages to speaker cabinet and cabinet finish due to misuse, abuse, or use of improper use of cleaning materials/methods.
- Bent speaker frame, broken speaker connectors, holes in speaker cone, surround & dust cap, burnt speaker voice coil.
- Fading, deterioration of speaker components & finish due to improper exposure to elements.
- Bent amplifier casing, damaged finish on the casing due to abuse, misuse, or improper use of cleaning material.
- Burnt traces on PCB.
- Product/part damaged due to poor packaging or abusive shipping conditions.
- Subsequent damage to other products.

A warranty claim will not be valid if the warranty registration card is not properly filled out & returned to Earthquake with a copy of the sales invoice.

(E) Service Request:

To receive product/s service, contact Earthquake's service department at (510) 732-1000 and request an RMA number (Return Material Authorization); items shipped without a valid RMA number will be refused. Make sure you provide us with your complete/correct shipping address, a valid phone number, and a brief description of the problem you are experiencing with the product. In most cases, our technicians might be able to resolve the problem over the phone, thus eliminating the need to ship the product.

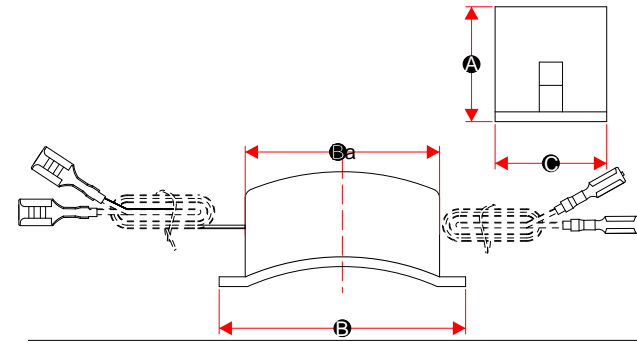
(F) Shipping Instructions:

Product/s must be packaged in its original protective box(s) to minimize transport damage. Shipping claims regarding items damaged in transit must be presented to carrier. Earthquake Sound Corporation reserves the right to refuse any products improperly packed. Original bill of sale must accompany product returned for service. We encourage you to include with the package a written description of the problem. Ship product to: Earthquake Sound Corp. 2727 Mc Cone Avenue, Hayward, CA 94545. Ph (510) 732-1000. You are responsible for the cost of shipping the product to Earthquake Sound Corporation.

(G) Disputes Resolution:

All disputes - between clients and Earthquake Sound Corporation - resulting from the five (5) years limited warranty policy must be resolved according to the laws & regulations of the county of Alameda -California.

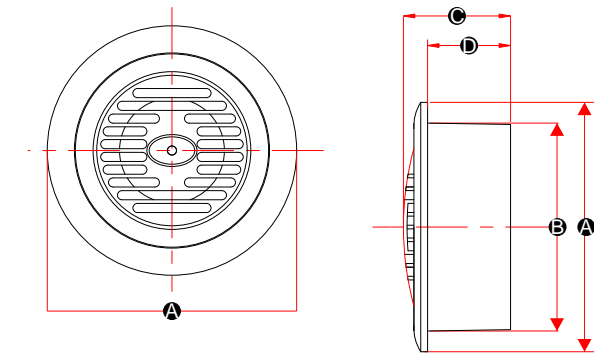
MC Crossover Dimensions



This diagram displays only the crossover. Mounting components vary in size.

Height A	.97" • 24.7mm
Width B_a	1.64" • 41.8mm
Width B	2.08" • 53mm
Depth D	.94" • 24mm

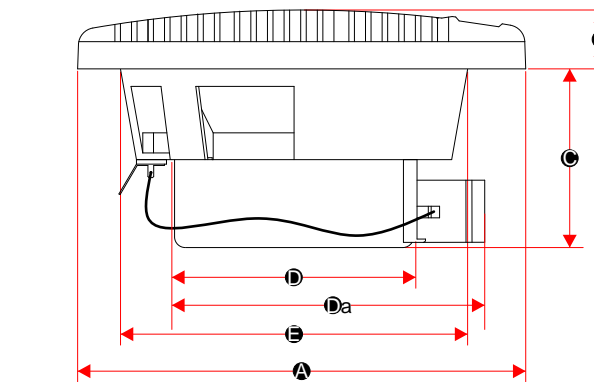
MC, Tweeter Dimensions



This diagram displays only the raw tweeter. Mounting components vary in size.

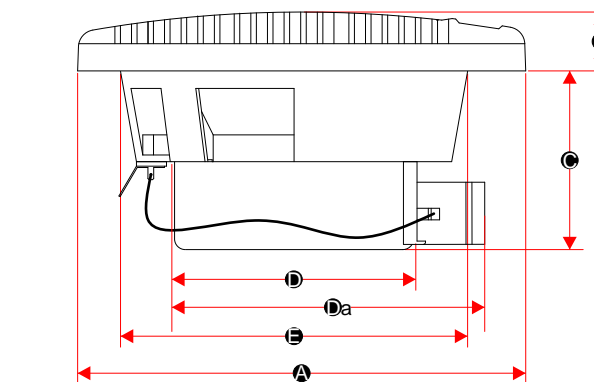
Trim Ring Diameter A	2.15", 54.7mm
Cut Out Hole Diameter B	1.79", 45.6mm
Total Depth C	.925", 23.5mm
Mounting Depth D	.71", 18.2mm

MC5 WOOFER DIMENSIONS



A Grille tray outer diameter	166.5mm • 6.55"
B Grille protrusion	20mm • .78"
C Mounting depth	61mm • 2.40"
D Magnet width	87mm • 3.42"
D_a Magnet width + crossover	+ 20mm • .78" for x-over
E Cut out hole	129.0mm • 5.07"

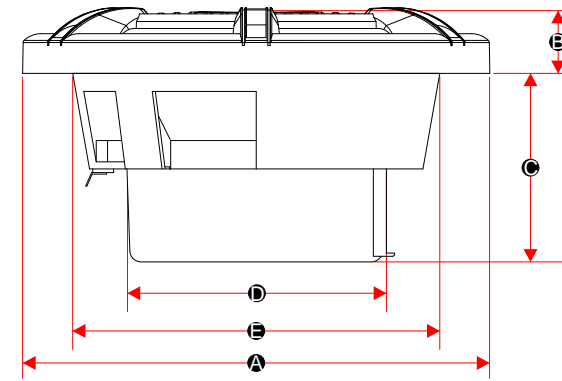
MC6 WOOFER DIMENSIONS



A Grille tray outer diameter	190.5mm • 7.5"
B Grille protrusion	29.5mm • 1.16"
C Mounting depth	59mm • 2.32"
D Magnet width	90mm • 3.54"
D_a Magnet width + crossover	+ 20mm • .78" for x-over
E Cut out hole	147mm • 5.78"

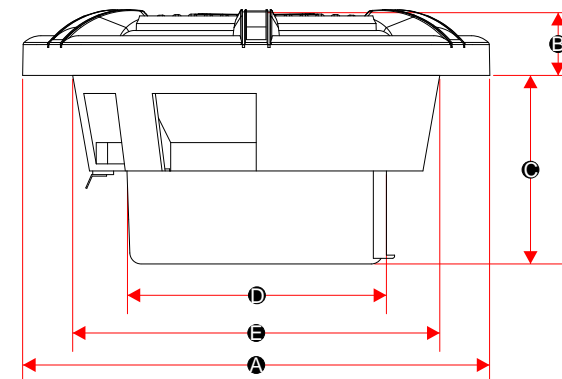
All specifications are subject to change without notice.

M5 COAXIAL DIMENSIONS



A Grille tray outer diameter	165.5mm • 6.51"
B Grille protrusion	21mm • .82"
C Mounting depth	62mm • 2.44"
D Magnet width	87mm • 3.42"
E Cut out hole	130.0mm • 5.11"

M6 COAXIAL DIMENSIONS



A Grille tray outer diameter	190.2mm • 7.48"
B Grille protrusion	26mm • 1.02"
C Mounting depth	59mm • 2.32"
D Magnet width	90mm • 3.54"
E Cut out hole	147mm • 5.78"

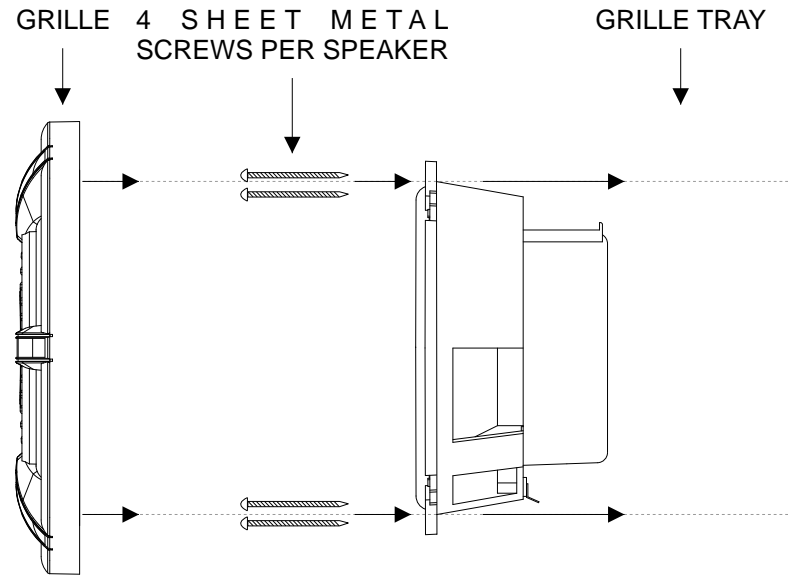
MARINE MATCHED COMPONENT SPECIFICATIONS

Model	M5 (2-way)	M6 (2-way)
Woofers	<ul style="list-style-type: none"> 5" UV treated poly injection cone body 25mm (over 1") ASV voice coil Butyl rubber surround 	<ul style="list-style-type: none"> 6.5" UV treated poly injection cone body 30mm (almost 1.25") ASV voice coil Butyl rubber surround
Tweeter	<ul style="list-style-type: none"> 20mm • .78" PEI dome 	<ul style="list-style-type: none"> 20mm • .78" PEI dome
Crossover Networks	<ul style="list-style-type: none"> 2-way network Completely sealed 	<ul style="list-style-type: none"> 2-way network Completely sealed
Frequency Response	50Hz-22kHz	45Hz-22kHz
Rec. Amp power	75 watts RMS • 145 watts max	85 watts RMS • 165 watts max
Sensitivity	89 dB @ 1W/1M	89 dB @ 1W/1M
Nominal Impedance	4 ohm	4 ohm

MARINE COAXIAL SPECIFICATIONS

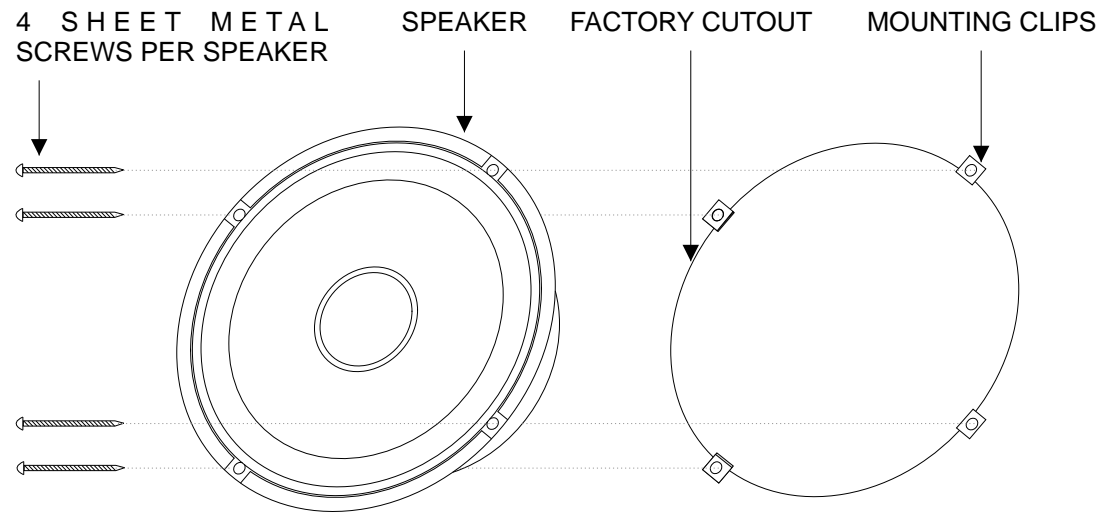
Model	M5 (2-way)	M6 (2-way)
Woofers	<ul style="list-style-type: none"> 5" UV treated poly injection cone body Sealed motor structure 25mm (over 1") VC Butyl rubber surround 	<ul style="list-style-type: none"> 6" UV treated poly injection cone body Sealed motor structure 25mm (over 1") VC Butyl rubber surround
Tweeter	<ul style="list-style-type: none"> 20mm • .78" mylar dome 	<ul style="list-style-type: none"> 20mm • .78" mylar dome
Rec. Amp power	50-130 Watts RMS	60-180 Watts RMS
Frequency Response	65Hz - 20kHz (±3dB)	55Hz to 20kHz (±3dB)
Sensitivity	89 dB @ 1W/1M	90 dB @ 1W/1M
Nominal Impedance	4 ohm	4 ohm

CUSTOM SPEAKER INSTALLATION



NOTE:
INSTALLATION APPLIES TO BOTH COMPONENT AND COAXIAL SPEAKERS

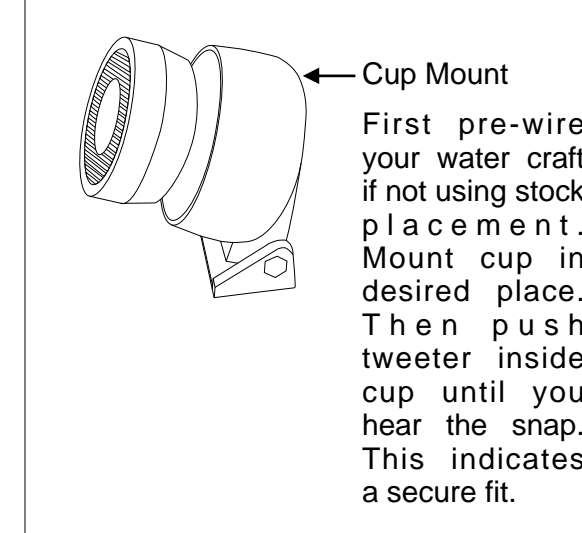
FACTORY REPLACEMENT INSTALLATION



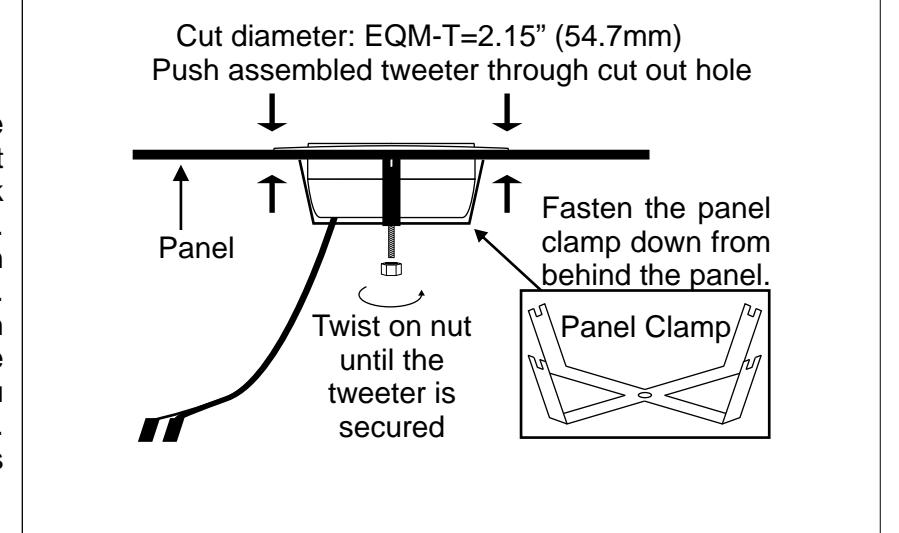
NOTE:
INSTALLATION APPLIES TO BOTH COMPONENT AND COAXIAL SPEAKERS

NOTE:
Hand tighten the screws in a crisscross pattern to avoid bending the speaker basket or stripping screws.

SURFACE MOUNT



FLUSH MOUNT COMPLETE ASSEMBLY



COMPONENT SET WIRING DIAGRAM

