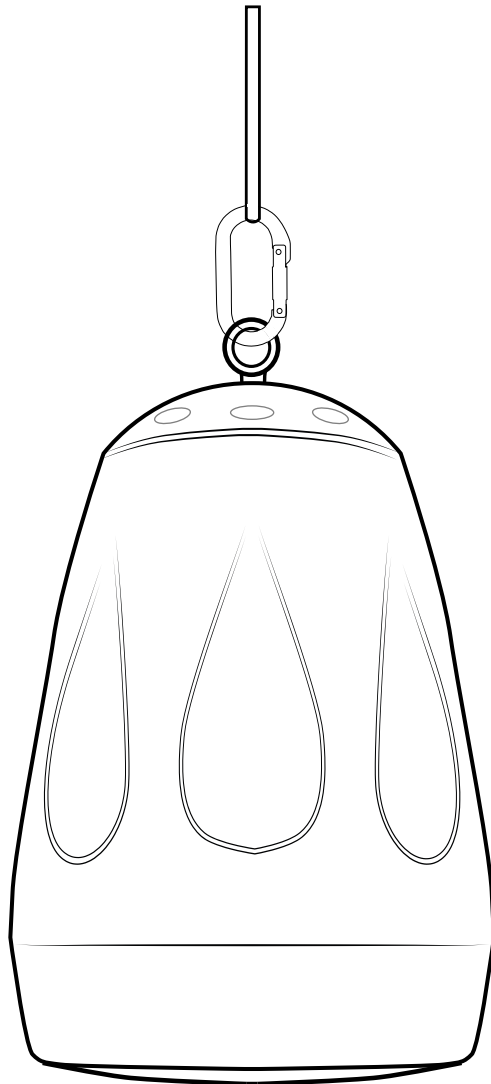




# Pendant Ceiling Speaker

## User's Manual

**MODEL PCS6.5**



---

# Table Of Contents

Introduction and Features.....	3
Important Safety Instructions.....	4
Set up and Operation.....	5
Standard 8Ohm Application.....	6
25V/70V/100V Application.....	7
Mounting and Hanging Information.....	8
Specifications and Troubleshooting.....	9
Warranty Information.....	10-11



The Sound That Will *Move* You

Earthquake Sound Corporation  
2727 McCone Avenue  
Hayward, CA 94545  
Tel: 510-732-1000  
Fax: 510-732-1095

Customer Technical Support  
US Toll Free: 1-800-576-7944  
tech@earthquakesound.com

This document should not be construed as a commitment on the part of Earthquake Sound Corporation. The information is subject to change without notice. Earthquake Sound Corporation assumes no responsibility for errors that may appear within this document.

© 2017 Earthquake Sound Corporation. All rights reserved.

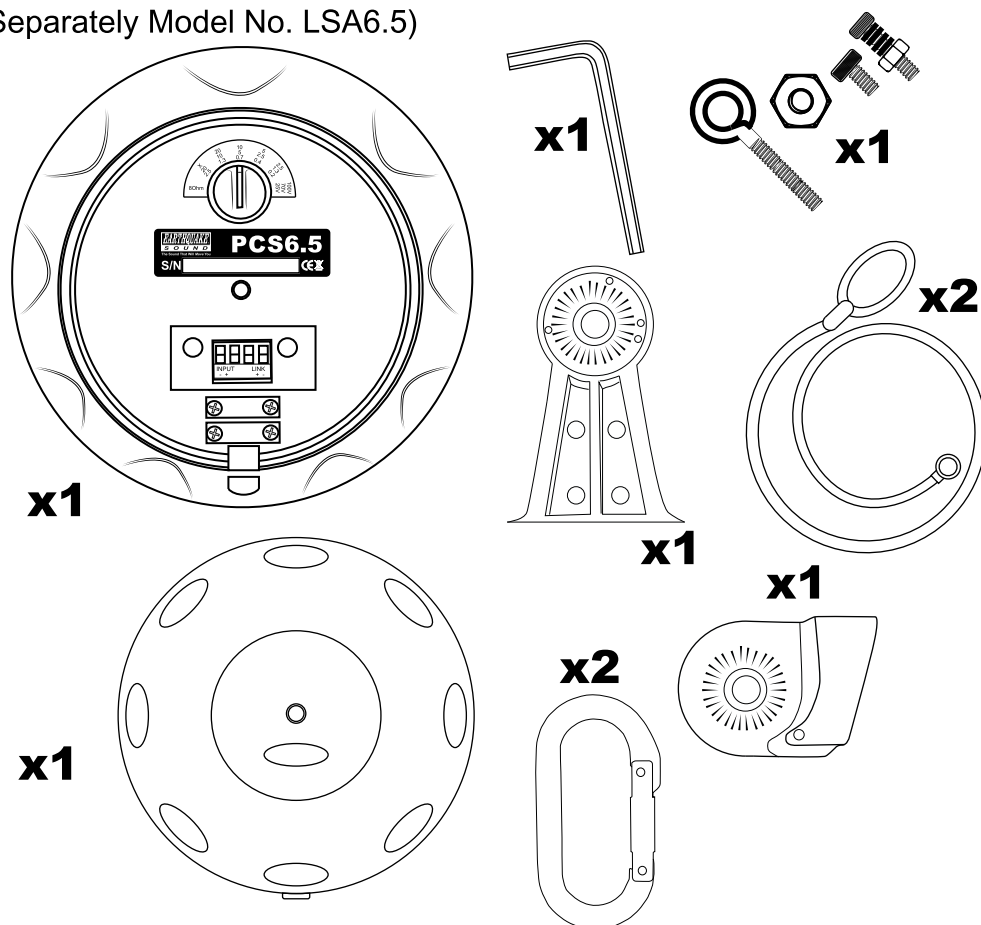
# INTRODUCTION

Thank you for purchasing Earthquake Sound's Pendant Ceiling Speaker. The 6.5-inch Pendant Ceiling Speaker (Model No. PCS6.5) is the ideal choice for high ceiling and open space environments. This speaker has a 1-inch aluminum dome tweeter with a rust resistant aluminum grille. It's UV resistant cabinet makes it a great outdoor speaker. This speaker also comes with a 25V/70V/100V/8-Ohm selector. PCS6.5 provides a convenient way to equip a room with sound where ceiling mount speakers cannot be used. This product comes with easy-to-install hanging suspension cables. The speakers can be mounted to the wall and outdoor landscapes (outdoor mounting accessories are sold separately). Please read through the manual to familiarize yourself with the safety information, features, and applications before installing the product.

## FEATURES

- 6.5 inch Polypropylene Coned Woofer
- 1-inch Aluminum Dome Tweeter
- 25V/70V/100V/8-Ohm Selectable
- UV Resistant PP Cabinet
- Rust Resistant Aluminum Grille
- Wall (Indoor Mountable)
- Paintable Enclosure To Match Any Decor
- Outdoor and Landscape Mountable  
(Accessories Sold Separately Model No. LSA6.5)

## INCLUDED



---

## IMPORTANT SAFETY INSTRUCTION - READ FIRST



This symbol, whenever it appears, alerts you to the presence of uninsulated dangerous voltage inside enclosure-voltage that may be sufficient to constitute risk of shock.



This symbol, whenever it appears, alerts you to important operating and maintenance instructions in the accompanying literature. Please read the manual.

**READ INSTRUCTIONS:** Retain safety and operating instructions for future reference. Heed all warnings printed here and on the equipment. Follow the operating instructions printed in this user guide.

### HANDLING:

Do not use nails, adhesives or other devices. Long-term use and vibrations may cause the speaker to fall.

Do not touch or bump the woofer or tweeter. If these are damaged, the sound will be distorted.

### SERVICING:

Do not attempt to clean the speakers with chemical solvents as this may damage the paint surface;. Clean with a dry cloth.

### INSTALLATION:

When speakers are installed in ceiling, check that the wall structure is reliable and the speaker is firmly attached.

Do not install the speakers in fine wood or soft wall material. Doing so can cause the speaker to become unsecured and potentially cause personal injury or damage to the speaker.

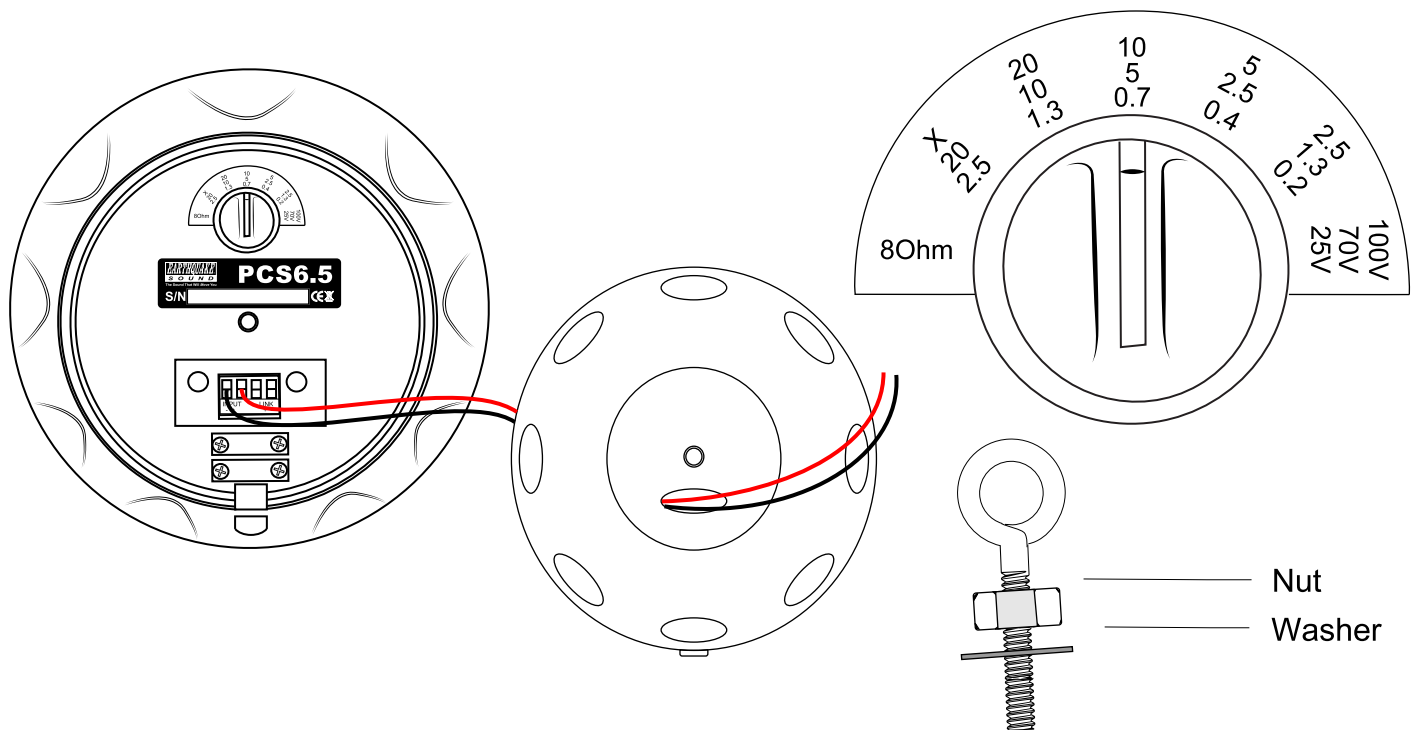
**Be sure to use both cables. One is for hanging and one is for safety.**

# SET UP AND OPERATION

**MUST BE INSTALLED BY A PROFESSIONAL!**

This Speaker is designed to hang from the ceiling. A safety cable should be used when installing the speakers to avoid personal injury and damage to the speaker.

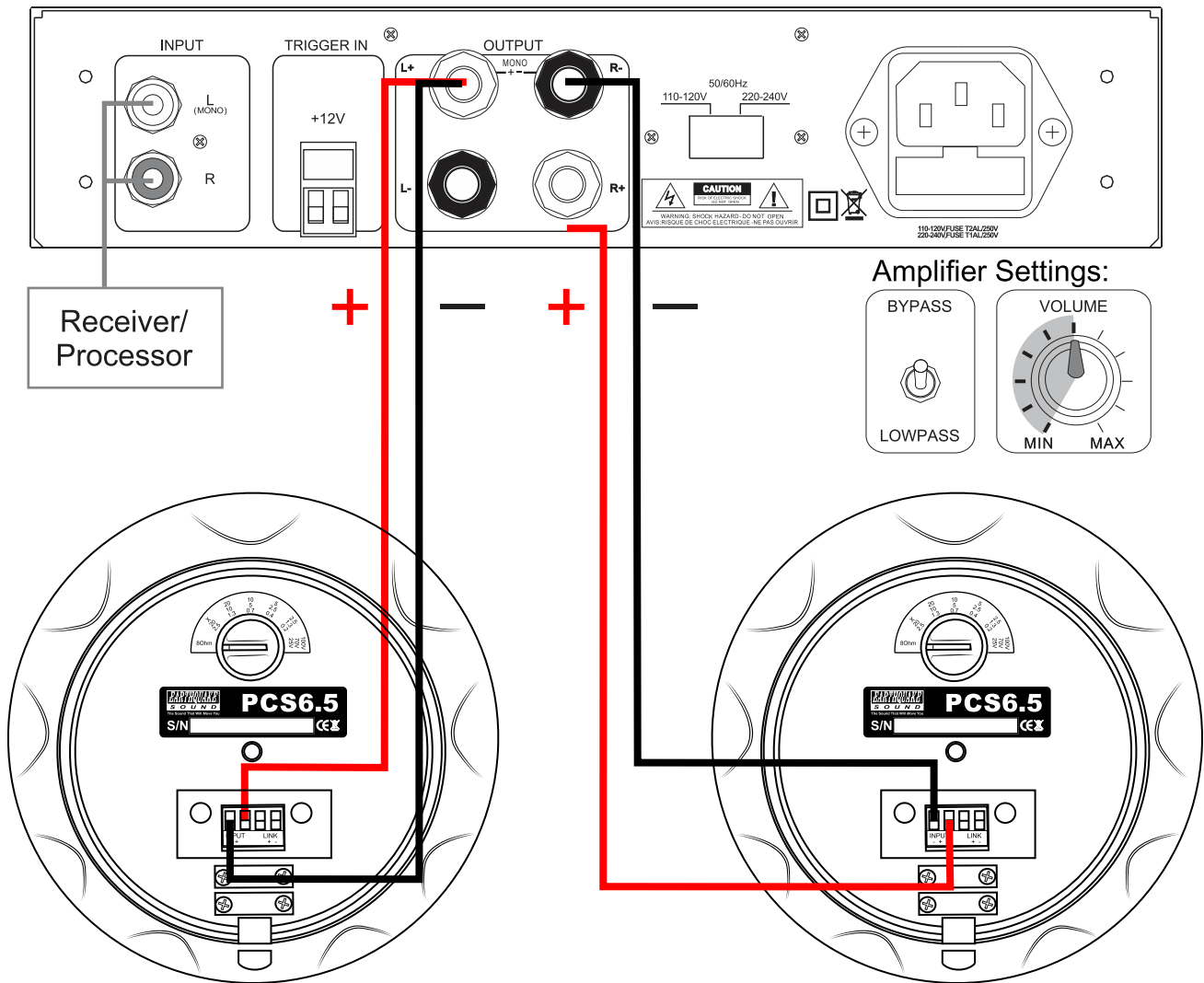
1. Set speaker to the proper setting for your installation (100V/70V/25V/80hm)
2. Install the top cover and fasten the provided eye-hook, nut and washer to the top cover and speaker, as illustrated below.
3. At each speaker location, route the speaker cable(s) hanging from the ceiling area through the top cover, and dress the cables to the wire rope using plastic cable ties. If using a supplied back cover, slide the speaker cables through the back cover. Strip the ends of the cables approximately 1/8" to 3/16" (~3 mm to ~5 mm) and, if the wire is stranded, twist the strands.
4. Connect the wires from the amplifier (or the previous speaker) to the supplied terminal block, using the IN terminals; red to + and black to -. Please refer to the following pages for examples of various types of applications.
5. Attach the speakers to the safety cable. (Please refer to page 8)
6. If mounting to the wall/ceiling with the mounting bracket, mount the bracket using the appropriate hardware and securely attach to the ceiling/wall. (Please refer to page 8.)



**NOTE:** If the speaker is installed outdoor, you will need to purchase the accessories sold separately (model No.LSA6.5)

# STANDARD 8OHM APPLICATION

This example shows the XJ-300ST amplifier with 8Ohm Output

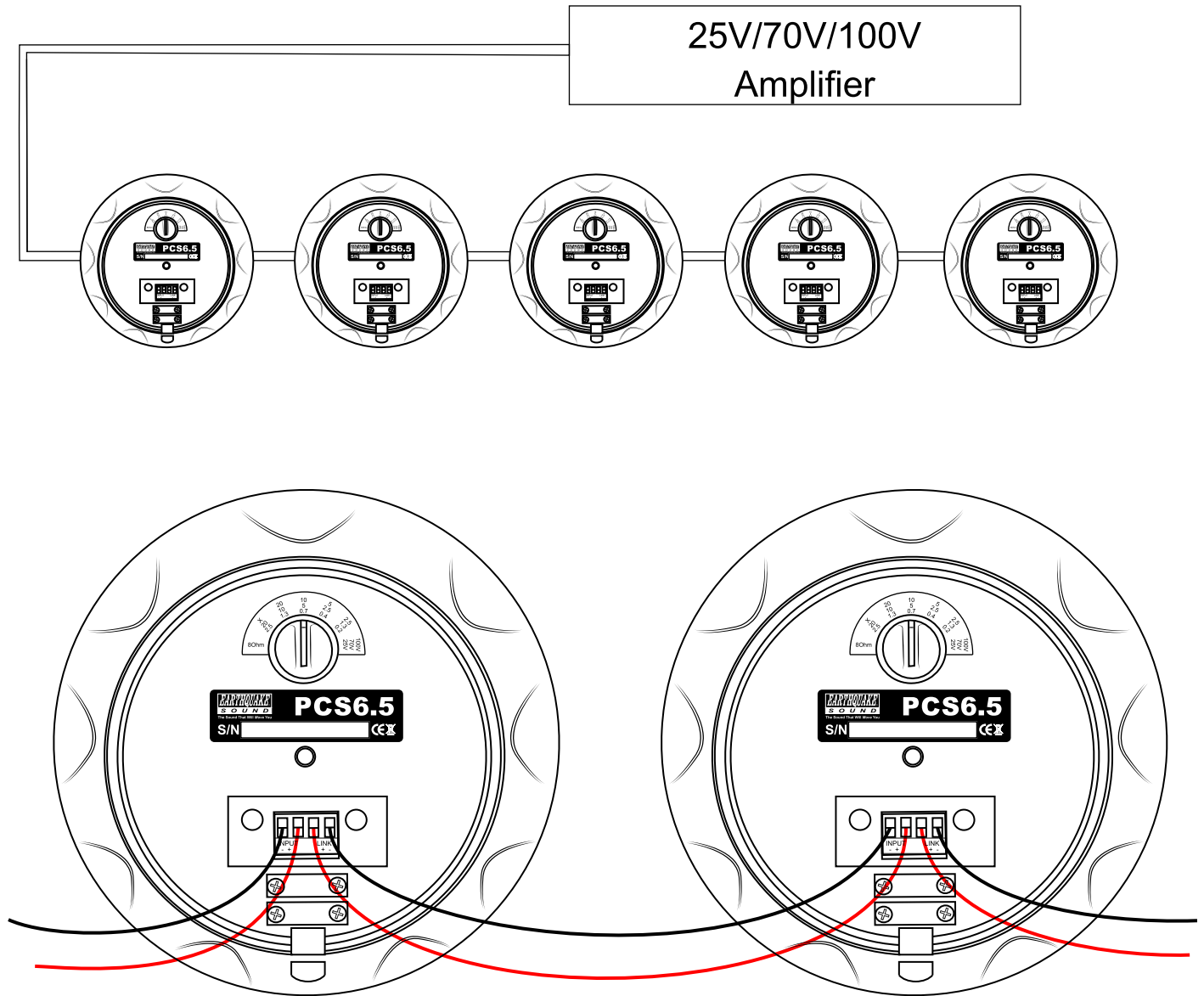


**Note:** for the XJ-300ST

Make sure the front toggle switch is set to **BYPASS**.

**DO NOT** set the volume too high as doing so may overload the speakers.

## 25V/70V/100V APPLICATION

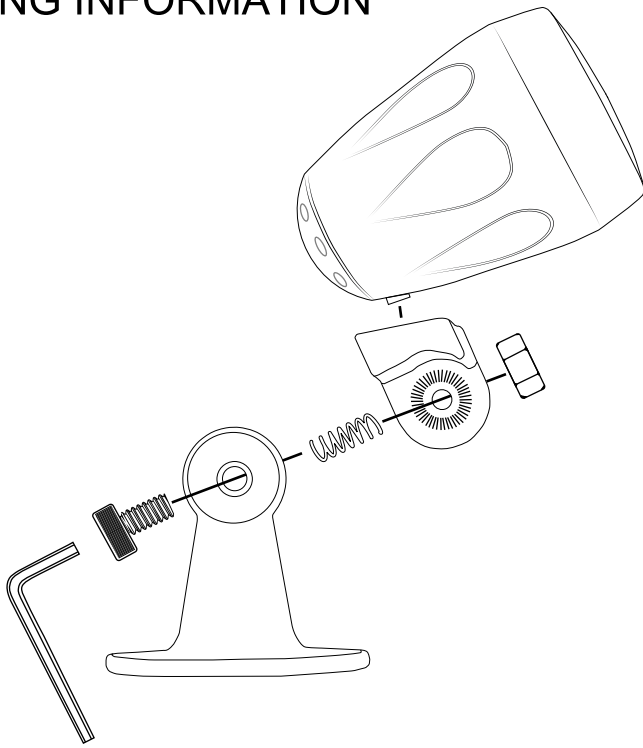



**NOTE:** The above example shows 5 total speakers. Using the 10W selection, you will need an amplifier with at least  $(5) \times (10) = 50\text{W}$ . A good rule of thumb to remember is that the total number of speakers multiplied by the setting you select, cannot exceed the output power of the 25V/70V/100V amplifier. You should select an amplifier with 20% greater power; in this case, an amplifier that delivers about 60W.



When installing multiple rows of speakers, we strongly recommend doing multiple wire runs, one run per row. We do not recommend doing a single wire run.

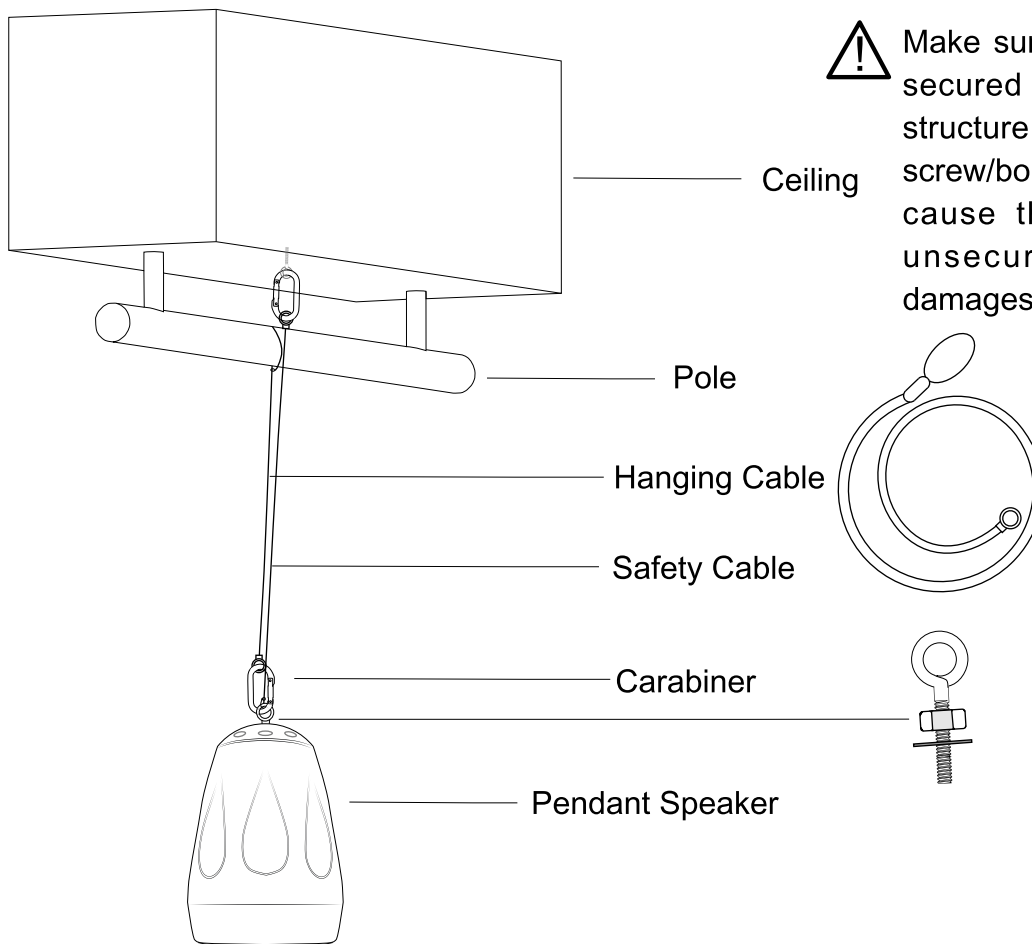
## MOUNTING INFORMATION




 When mounting the Speaker to the wall, make sure the proper screws/bolts and anchors are used.

We strongly suggest adding the safety cable to the speaker and secure it to the building's structure.

## HANGING INFORMATION



 Make sure the speaker is properly secured to the ceiling/building's structure. Please use the proper screw/bolt. As failure to do so may cause the speaker to become unsecured & cause potential damages/injuries.



## SPECIFICATIONS

Frequency Range (-3dB)	40 Hz - 20 kHz
Frequency Response (-10dB)	30 Hz - 22 kHz
Sensitivity (1W/1M)	90 dB
Power Handling	20 - 40 WRMS
Max SPL @1M	119 dB - 125 dB
Nominal Impedance	8-Ohms
Transformer Taps	8 Ohms 25V: 2.5W/1.3W/0.7/0.4W/0.2W 70V: 20W/10W/5W/2.5W/1.3W 100V: 20W/10W/5W/2.5W
Finish	Black (Paintable)
Height	11-1/2" (291.50mm)
Width	8-1/8" (206.41mm)
Weight	6.13lbs (2.78kgs)

## TROUBLESHOOTING

PROBLEM	POSSIBLE CAUSE	FIX
There is no sound	Power Off Equipment Setting is wrong	Assure power is applied to all equipment in system. Check that routing in/output controls are set correctly.
Low sound level	Setting/Volume is set too low. Connection is shorted or bad.	Check volume controls or amplifiers and equalizers. Check that connections aren't partially shorted
Sound cuts in and out	System overload/oscillation intermittent connection	Check for overload condition or bad connection
Distortion at increased level	Amplifier/Speaker over driven	Check that power to speaker is not over limits, amplifier is not over driven. Reduce Power to amplifier slightly
Speaker makes "buzzing" noise	Hardware loose or speaker damaged	Make sure speaker is tight. Check speakers for loose parts or speaker damage.

---

# WARRANTY INFORMATION

## Limited Warranty (USA only)

Earthquake Sound warrants to the original purchaser that all factory Sealed New Audio Products to be free from defects in material and workmanship under normal and proper use for a period of one (1) year from the date of purchase (as shown on the original sales receipt with serial number affixed/ written on it.) The one (1) year warranty period is valid only if an authorized Earthquake dealer properly installs the product and the warranty registration card is properly filled out and sent to Earthquake Sound Corporation. If a non-authorized party installs the product, a ninety (90) day warranty period will be applied.

### A) One (1) year limited warranty plan coverage guidelines:

Earthquake pays for labor, parts, and ground freight (only in US mainland, not including Alaska and Hawaii. Shipping to us is not covered).

### (B) Warning:

Products (sent for repair) that are tested by Earthquake technicians and seemed to have no problem(s) will not be covered by the one (1) year limited warranty. Customer will be charged a minimum of one (1) hour of labor (at the ongoing rates) plus shipping charges back to customer.

### (C) Earthquake will repair or replace at our option all defective products/parts subject to the following provisions:

- Defective products/parts have not been altered or repaired by other than an Earthquake factory-approved technicians.
- Products/parts are not subjected to negligence, misuse, improper use or accident, damaged by improper line voltage, used with incompatible products or have its serial number or any part of it altered, defaced or removed, or have been used in any way that is contrary to Earthquake's written instructions.

### (D) Warranty Limitations:

Warranty does not cover products that have been modified or abused, including but not limited to the following:

- Damages to cabinet/casing finish due to misuse, abuse or improper use of cleaning materials/methods.
- Fading and or deterioration of speaker components & finish due to improper exposure to elements.
- Bent amplifier casing, damaged finish on the casing due to abuse, misuse or improper use of cleaning material.
- Burnt tracers on PCB.

- 
- Product/part damaged due to poor packaging or abusive shipping conditions.
  - Subsequent damage to other products

A warranty claim will not be valid if the warranty registration card is not properly filled & returned to Earthquake with a copy of the sales receipt.

(E) Service Request:

To receive product service, contact Earthquake Service Department at (510) 732-1000 and request an RMA number (Return Material Authorization). Items shipped without a valid RMA number will be refused. Make sure you provide us with your complete/correct shipping address, a valid phone number, and a brief description of the problem you are experiencing with the product. In most cases, our technicians might be able to resolve the problem over the phone, thus eliminating the need to ship the product.

(F) Shipping Instructions:

Product(s) must be packaged in its original protective box(es) to minimize transport damage and prevent repackaging cost (at the ongoing rates). Shipper claims regarding items damaged in transit must be presented to carrier. Earthquake Sound Corporation reserves the right to refuse improperly packed product. Original bill of sale must accompany product returned to service. We encourage you to include with the package a written description of the problem. Ship product to:

Earthquake Sound Corp.  
2727 McCone Avenue, Hayward, CA 94545.  
Tel: (510) 732-1000.

You are responsible for the cost of shipping the product to Earthquake Sound Corporation.

(G) Disputes Resolution:

All disputes between clients and Earthquake Sound Corporation resulting from the one (1) year limited warranty policy must be resolved according to the laws & registration of the county of Alameda California.

Product Registration

This Pendant Ceiling Speaker can be registered by returning the Product Registration card attached to this manual. Please also retain the sales receipt which represents proof of purchase and helps expedite warranty issues.



The Sound That Will *Move* You

Earthquake Sound reserves the right to amend details of the specifications without notice.

© Copyright Earthquake Sound Corporation

Earthquake Sound Corporation

2727 McCone Avenue, Hayward CA, 94545

Phone: (510) 732-1000 U.S. Toll Free: (800) 579-7944 Fax: (510) 732-1095

---