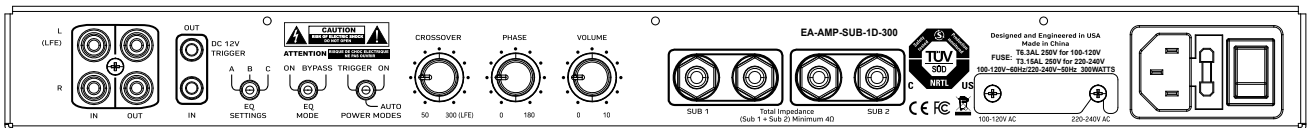




# INSTALLATION MANUAL



## EA-AMP-SUB-1D-300




**REAL. LIFE. SOUND.**

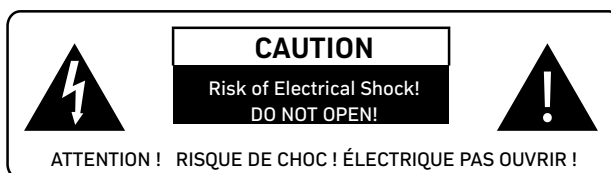


	<b>CAUTION</b> Risk of Electrical Shock! DO NOT OPEN!	
ATTENTION ! RISQUE DE CHOC ! ÉLECTRIQUE PAS OUVRIR !		

	The lightning flash with arrowhead symbol, within an equilateral triangle, is intended to alert the user to the presence of uninsulated dangerous voltage within the product's enclosure that may be of sufficient magnitude to constitute a risk of electric shock to persons.
	The exclamation point within an equilateral triangle is intended to alert the user to the presence of important operating and maintenance (servicing) instructions in the literature accompanying the appliance.

### IMPORTANT SAFETY INSTRUCTIONS


1. Read these instructions.
2. Keep these instructions.
3. Heed all warnings.
4. Follow all instructions.
5. Do not use this apparatus near water.
6. Clean only with dry cloth.
7. Do not block any ventilation openings. Install in accordance with the manufacturer's instructions.
8. Do not install near any heat sources such as radiators, heat registers, stoves, or other apparatus (including amplifiers) that produce heat.
9. Do not defeat the safety purpose of the polarized or grounding-type plug. A polarized plug has two blades with one wider than the other. A grounding type plug has two blades and a third grounding prong. The wide bladed or the third prong are provided for your safety. If the provided plug does not fit into your outlet, consult an electrician for replacement of the obsolete outlet.
10. Protect the power cord from being walked on or pinched particularly at plugs, convenience receptacles, and the point where they exit from the apparatus.
11. Only use attachments/accessories specified by the manufacturer.
12.  Use only with the cart, stand, tripod, bracket, or table specified by the manufacturer, or sold with the apparatus. When a cart is used, use caution when moving the cart/apparatus combination to avoid injury from tip-over.
13. Unplug this apparatus during lightning storms or when unused for long periods of time.
14. Refer all servicing to qualified service personnel. Servicing is required when the apparatus has been damaged in any way, such as power-supply cord or plug is damaged, liquid has been spilled or objects have fallen into the apparatus, the apparatus has been exposed to rain or moisture, does not operate normally, or has been dropped.
15. The equipment shall be used at maximum 35 degree C ambient temperature.
16. To reduce the risk of electrical shock, do not open the equipment. For safety reasons it is only allowed to be opened by qualified service personnel.
17. **WARNING:** To reduce the risk of fire or electric shock, do not expose this apparatus to rain or moisture. Additionally, the apparatus shall not be exposed to dripping or splashing and no objects filled with liquids shall be placed on the apparatus.
18. The MAINS plug is used as the disconnect device and shall remain readily operable.
19. The product shall be used on open bench or rack.
20. No naked flame sources, such as lighted candles, should be placed on the apparatus.
21.  The apparatus should be connected to a mains socket outlet with a protective earthing connection.
22. **WARNING:** This product may expose you to chemicals known to the State of California to cause cancer and reproductive harm. For more information go to [www.P65Warnings.ca.gov](http://www.P65Warnings.ca.gov).
23. The use of the apparatus is in moderate climates.



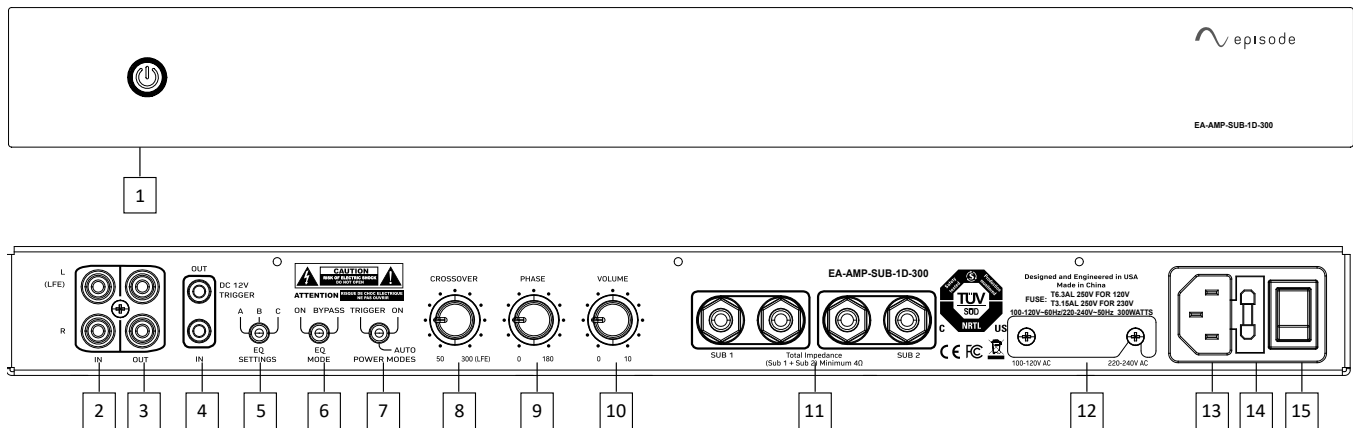
	Le flash de foudre avec le symbole de pointe de flèche, dans une triangle équilatérale, est prévu pour alerter l'utilisateur à la présence de la tension dangereuse non isolée dans la clôture du produit qui peut être de la grandeur suffisante pour constituer un risque de décharge électrique aux personnes..
	Le point d'exclamation dans une triangle équilatérale est prévu pour alerter l'utilisateur à la présence des instructions importantes de fonctionnement et d'entretien (entretien) dans la littérature accompagnant l'appareil.

## CONSIGNES DE SÉCURITÉ IMPORTANTES

**Avertissement:** Pour réduire le risque d'incendie ou un choc électrique, ne pas exposer cet appareil à la pluie ou à l'humidité.

1. Lisez ces instructions.
2. Conservez ces instructions.
3. Respectez tous les avertissements.
4. Suivez toutes les instructions.
5. Ne pas utiliser cet appareil près de l'eau.
6. Nettoyer avec un chiffon sec.
7. Ne pas bloquer les ouvertures de ventilation . Installer conformément aux instructions du fabricant.
8. Ne pas installer près de sources de chaleur telles que des radiateurs , registres de chaleur, poêles ou autres appareils (incluant les amplificateurs) qui produisent de la chaleur.
9. Ne pas contourner le dispositif de sécurité de la fiche polarisée ou de mise à la terre . Une fiche polarisée possède deux lames dont une plus large que l'autre . Une fiche de terre a deux lames et une troisième broche de mise à la terre . La lame large ou la troisième broche sont fournies pour votre sécurité . Si la fiche fournie ne rentre pas dans votre prise, consultez un électricien pour le remplacement de la prise obsolète.
10. Protégez le cordon d'alimentation ne soit piétiné ou pincé, en particulier au niveau des fiches , des prises de courant et le point de sortie de l'appareil.
11. N'utilisez que des fixations / accessoires spécifiés par le fabricant.
12. Utilisez uniquement avec le chariot, le trépied, le support ou la table spécifiés par le fabricant, ou vendu avec l'appareil. Quand un chariot est utilisé, faites attention en déplaçant l'ensemble chariot/appareil pour éviter les blessures en cas de renversement.
13. Débranchez cet appareil pendant les orages ou lorsqu'il n'est pas utilisé pendant de longues périodes de time.
14. Refer à un technicien qualifié personnel . Une réparation est nécessaire lorsque l'appareil a été endommagé de quelque façon que ce cordon d' alimentation ou la prise est endommagé , du liquide a été renversé ou des objets sont tombés dans l'appareil, l'appareil a été exposé à la pluie ou à l'humidité ,ne fonctionne pas normalement , ou s'il est tombé .
15. L'équipement doit être utilisé à une température ambiante maximale de 35°C
16. Pour réduire les risques d'électrocution, n'ouvrez pas l'appareil. Pour des raisons de sécurité, il est uniquement autorisé d'être ouvert par du personnel qualifié.
17. **AVERTISSEMENT:** afin de réduire les risques d'incendie ou de choc électrique, n'exposez pas cet appareil à la pluie ou à l'humidité. En outre, l'appareil ne doit pas être exposé à des gouttes d'eau ni à des éclaboussures et aucun objet ne doit être rempli de liquide doit être placé sur l'appareil.
18. La prise MAINS sert de dispositif de déconnexion et doit rester facilement utilisable.
19. Le produit doit être utilisé sur un banc ou un rack ouvert.
20. Aucune source de flamme nue, telle que des bougies allumées, ne doit être placée sur l'appareil.
21.  L'appareil doit être branché sur une prise secteur avec une connexion de protection à la terre.
22. **AVERTISSEMENT:** ce produit peut vous exposer à des produits chimiques reconnus par l'état de la Californie comme pouvant causer le cancer et des problèmes de reproduction. Pour plus d'informations, visitez [www.P65Warnings.ca.gov](http://www.P65Warnings.ca.gov).
23. L'utilisation de l'appareil est dans les climats modérés.

## FEATURES

1. **POWER**

Red: Off/Standby

Blue: On/Operating

2. **RCA LINE LEVEL INPUTS**

LFE IN: Connects the left female RCA input to an LFE output connection on a receiver or pre-amp processor.

L/R IN: Connects the left and right female RCA input to the left and right front output connections on a receiver or pre-amp processor.

3. **RCA LINE LEVEL OUTPUTS**

OUT: Connects additional amplifiers.

4. **12V TRIGGER IN/OUT**

12V TRIGGER IN: Turns on the amp when a 12V signal is received from another 12V trigger device.

12V TRIGGER OUT: Sends a 12V signal to another 12V trigger device.

5. **EQ SETTINGS**

EQ Preset A: +4dB (optimized for enclosures > 4 cu. ft.)

EQ Preset B: +7dB (optimized for enclosures 1-4 cu. ft.)

EQ Preset C: +10dB (optimized for enclosures < 1 cu. ft.)

6. **EQ MODE**

ON: EQ SETTINGS are enabled, while CROSSOVER, PHASE and VOLUME also remain enabled.

BYPASS: EQ SETTINGS are disabled, while CROSSOVER, PHASE and VOLUME remain enabled.

7. **POWER MODES**

TRIGGER: Amplifier turns on when 12V signal is detected and off when 12V signal is absent.

AUTO: Auto sense enabled. Amplifier turns on when audio signal is detected. Unit enters standby mode if no signal is sensed after 15 minutes.

ON: Always on. Amplifier does not turn off automatically. Unit turns on/off using the front panel power button.

8. **CROSSOVER**

Adjusts from 50 to 300 Hz.

**NOTE:** When using the LFE input, set to LFE so the preamplifier or receiver can control the crossover frequency.

9. **PHASE**

Adjusts blending of the subwoofer with other speakers.

10. **VOLUME**

Adjusts master volume to the desired listening level.

11. **SPEAKER OUTPUTS**

Connects the speaker wires to the binding posts.

**NOTE:** Total impedance (SUB 1 + SUB 2) should not be less than 4Ω.

12. **VOLTAGE SELECTOR**

Selects the appropriate input voltage setting: 100V or 230V.

13. **AC POWER IN**

IEC power cord.

## FEATURES (CONTINUED)

### 14. FUSE

Additional fuse included for servicing.

### 15. MASTER POWER SWITCH

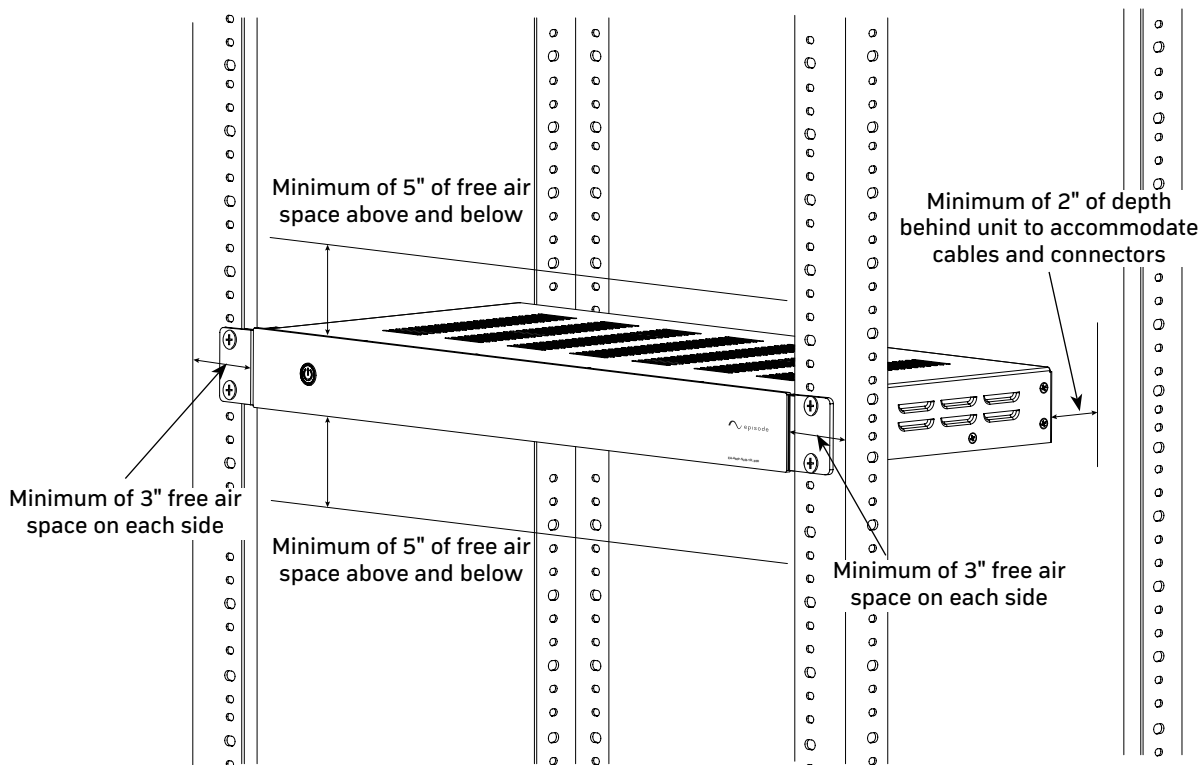
Switch between on/off.

## SETUP

### Amplifier Positioning

Placing the amplifier can have a large impact on performance and longevity. Please take the following guidelines into consideration.

- Ensure that the unit is in a well-ventilated area that provides adequate cooling.
- A minimum of 5" should be allowed for optimum performance.



### Installation

- Rack mount ears may be removed if not needed.
- Bottom feet on the amplifier chassis may be removed if necessary.

## CONNECT

**CAUTION:** All connections and switching must be done with the amplifier turned off. Connect the power cord last to ensure that the amplifier is off during all the connections and set up.

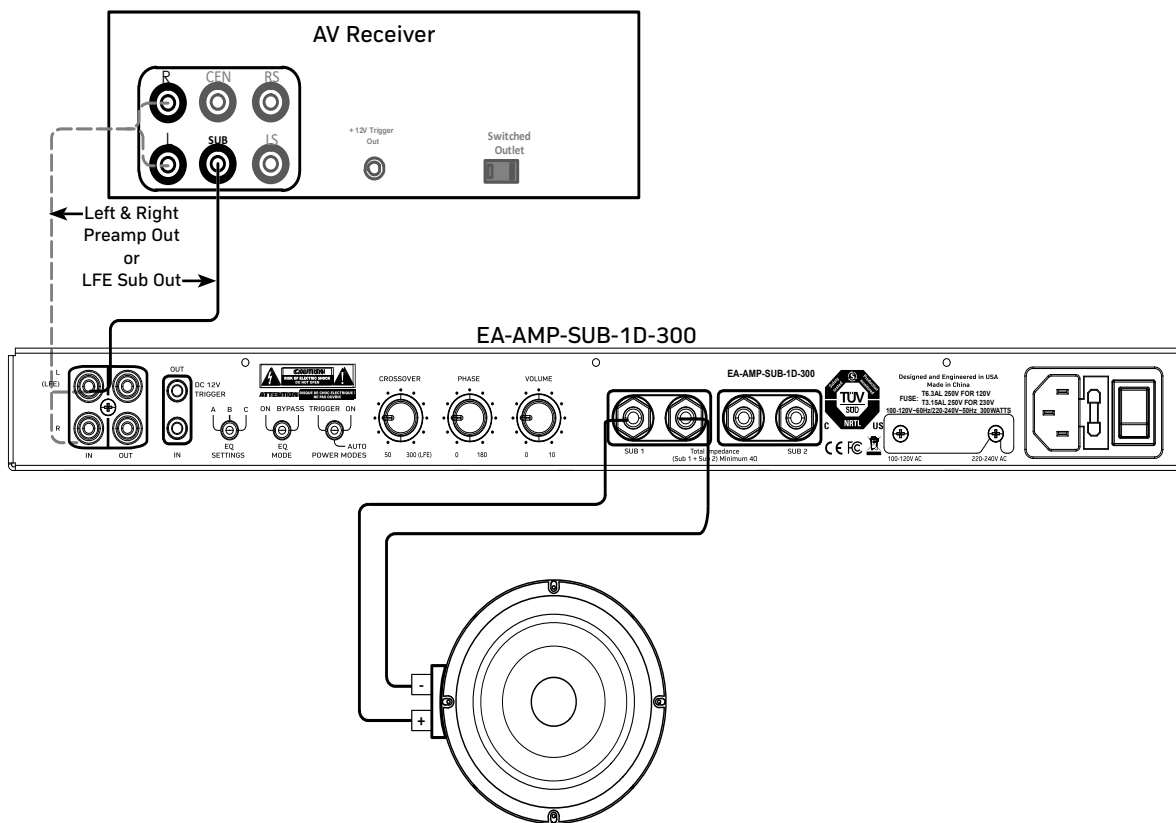
### RCA Line Level

Use high-quality RCA cables that feature low impedance with adequate shielding and high-quality connectors.

### Speaker Outputs

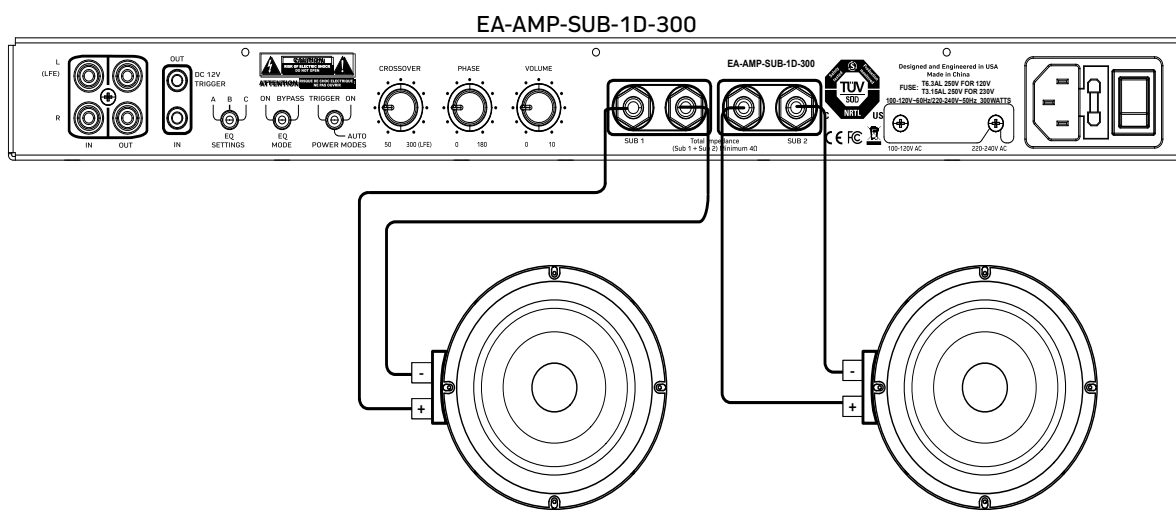
Use 14-18 gauge stranded two-conductor speaker wire. Connect the appropriate conductor to each screw terminal, observing correct polarity.

**CAUTION:** When two subwoofers are connected in parallel, the nominal impedance of each subwoofer should not be less than 8Ω.



### Single Sub Connections

4Ω Minimum



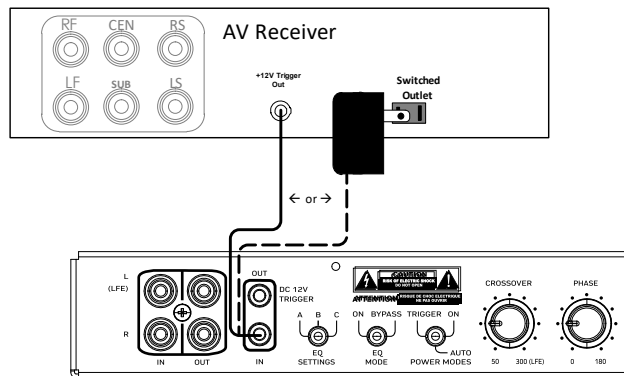
### Dual Sub Connections

8Ω Minimum

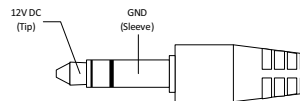
8Ω Minimum

### 12V DC Trigger

Connect the 12V trigger output of any other device with a 12V trigger cable to the input of the EA-AMP-SUB-1D-300 using a high-quality 3.5mm (1/8") mono cable.



If the receiver does not have a 12V trigger output, using a 12V power supply plugged into a switched outlet on the receiver provides the same functionality.



### FINE TUNE

After making all connections and calibrating the speakers, fine tune the subwoofer as instructed below.

**NOTE:** When using an AV receiver and the LFE input, set the subwoofer calibration level to the factory setting.

1. Ensure that the subwoofer is plugged in.

During initial setup, set the 'POWER MODES' switch to the 'ON' position. Once calibration is complete, switch to 'AUTO' to enable the automatic power-saving mode. For reference, the different modes are as follows:

**TRIGGER:** Amplifier turns on when 12V signal is detected and off when 12V signal is absent.

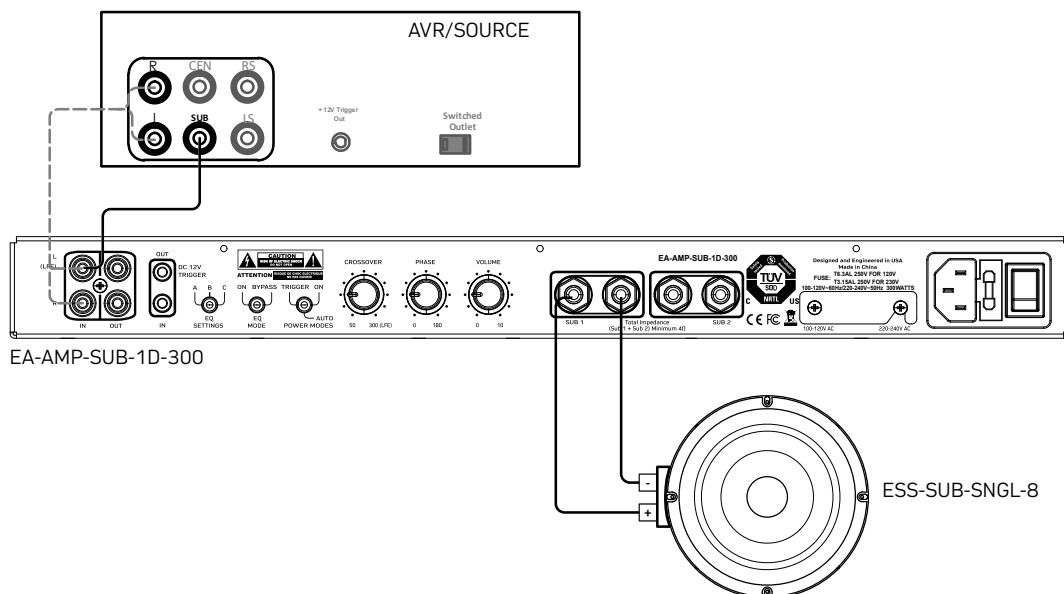
**AUTO:** Auto sense enabled. Amplifier turns on when audio signal is detected. Unit enters standby mode if no signal is sensed after 15 minutes.

**ON:** Always on. Amplifier does not turn off automatically. Unit turns on/off using the front panel power button.

2. If using one of the EQ presets, switch the 'EQ MODE' to the 'ON' position. Then select the desired setting. Preset EQ's are optimized for use with ES-SUB-SNGL-8 in wall / in ceiling subwoofers. Choose the correct EQ setting depending on the air volumes behind the subwoofer. For example, smaller air volumes will have a larger bump in the EQ

**EQ PRESET A:** +4dB (optimized for enclosures > 4 cu. ft.)

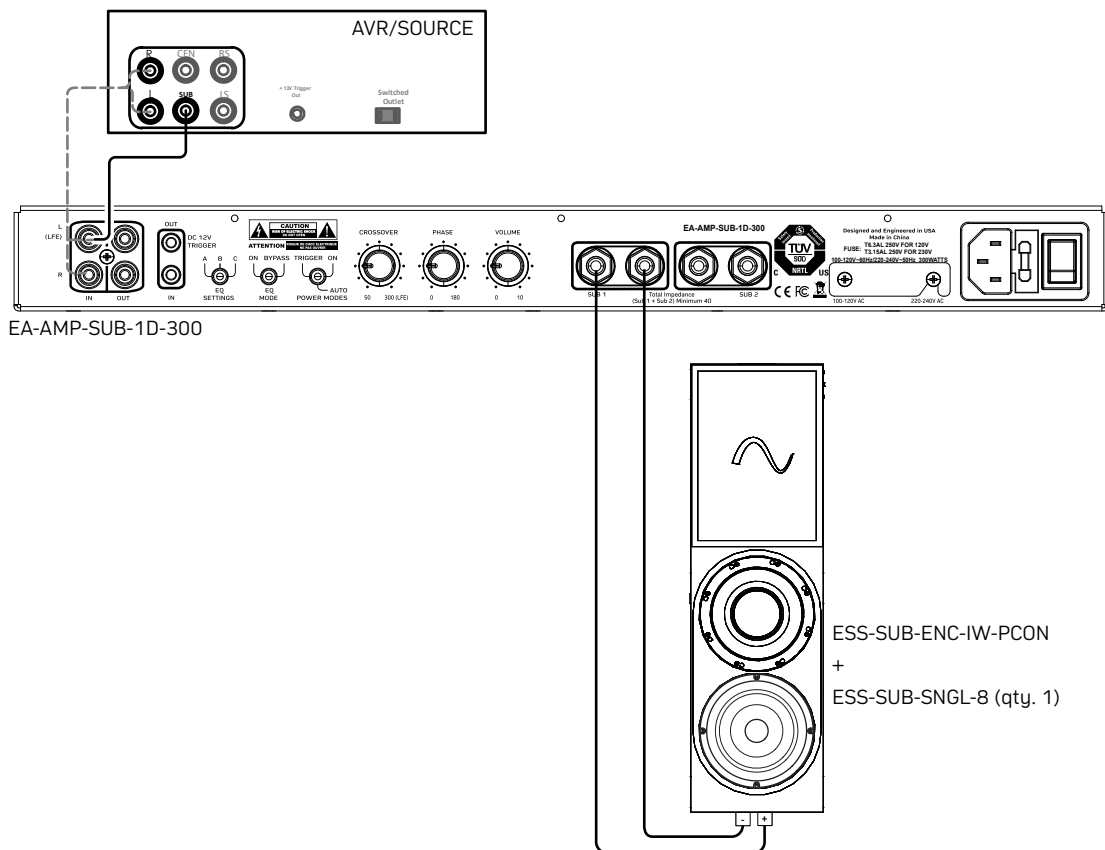
**Example:** ES-SUB-SNGL-8 in a free air installation (no back box)





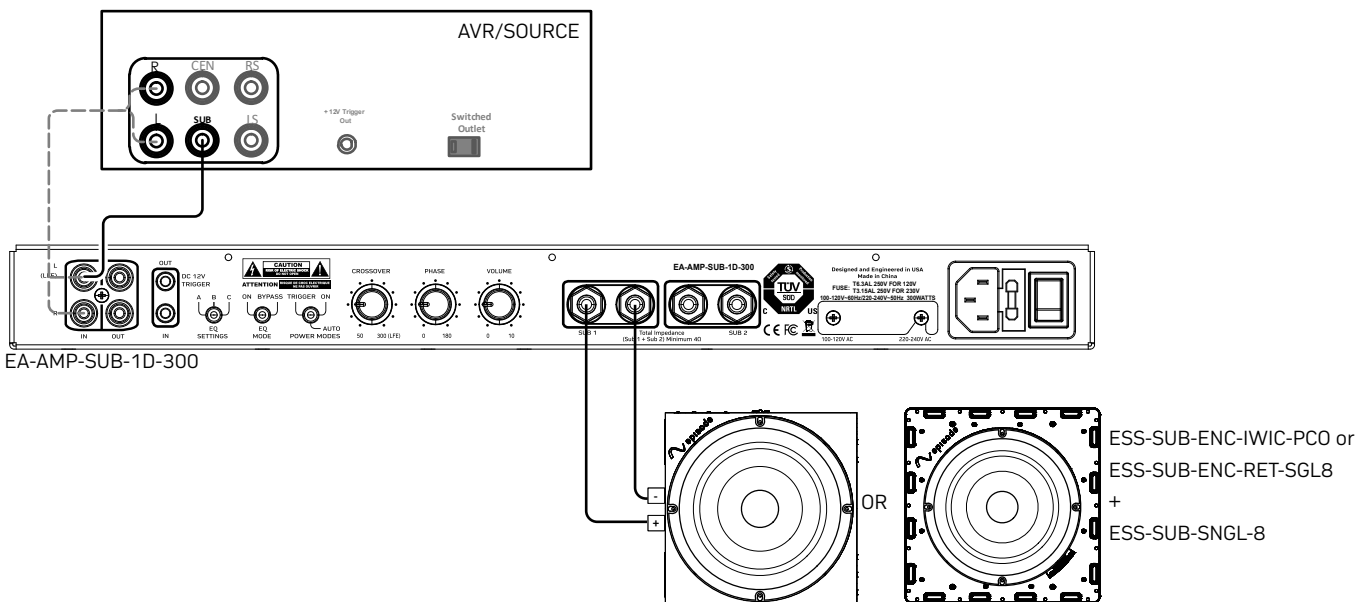
**EQ PRESET B:** +7dB (optimized for enclosures 1 to 4 cu. ft.)

**Example:** ES-SUB-SNGL-8 in a dual 8" pre-construction back box.



**EQ PRESET C:** +10dB (optimized for enclosures < 1 cu. ft.)

**Example:** ES-SUB-SNGL-8 in a dual 8" pre-construction back box.



3. Set the controls to positions that will enable tuning for maximum performance.
  - VOLUME** set to 50%, or 12 o'clock
  - CROSSOVER** set to 175 Hz, or 12 o'clock – OR – set to 'LFE' if LFE input is used
  - PHASE** set to 0°
4. Play a movie scene or music track and set the system volume to an average level. Listen to the bass level from the preferred listening position. Adjust the 'VOLUME' control as desired.
5. If deeper bass is desired, adjust the 'CROSSOVER' control toward the lower frequencies. Experiment with different frequency settings until finding one that sounds best.

**NOTE:** When using the LFE input, set to LFE and make any crossover adjustments in the preamplifier or receiver crossover settings.

6. Continue listening to music and movie sources using the settings chosen for volume and crossover.
7. Experiment with the phase until finding the best setting. Depending on the subwoofer's placement, the bass may sound louder or deeper when the phase has been optimized. In some cases, adjusting phase will make no discernible difference.

## SPECIFICATIONS

Continuous Power Output	150 watts RMS at 8 ohms 300 watts RMS at 4 ohms
Input Sensitivity	140 mV for full output (L/LFE only driven), 300 watts, with level control set to max
Frequency Response	30-200Hz (EQ MODE set to BYPASS)
Distortion	.10% THD+N 1W/2W 100 Hz
Auto On Sensitivity	4 mV
External Trigger Voltage	2.0 V - 20 V
Dimensions	16.9" W (19" including rack mounts) 1.75" H (2.1" including feet) 8.1" D (front switch to rear chassis) 8.9" D (front switch rear speaker connector)
Weight	9.3 lbs
Certification	TUV Listed and tested under UL/EN60065 for US and Canada

## TROUBLESHOOTING

Episode amplifiers are designed to function trouble-free. Most problems that occur are due to simple issues. If having trouble, check the list of simple fixes below. If the problem persists, contact Episode technical support at 866-838-5052.

No audio output	<ul style="list-style-type: none"> <li>• Power cable to the amplifier is incorrectly connected or plugged into an outlet that does not have power. Check connections and verify power at the outlet.</li> <li>• Audio cable to the source component is not connected properly, connection to output or the cable is defective. Check connections or replace cable with one that has been verified as good.</li> <li>• Amplifier is in standby mode and needs to be turned on (blue LED).</li> <li>• Check the connections of the speaker wire at both the speaker and amplifier.</li> <li>• The level adjustment is turned down. Slowly turn the dial to the right to raise the volume.</li> </ul>
Hum or buzzing sound is heard	<ul style="list-style-type: none"> <li>• Check RCA input cables by removing them one at a time (powering down the amplifier before disconnecting) and verify connections.</li> </ul>
Amplifier will not turn on	<ul style="list-style-type: none"> <li>• Ensure the amplifier is plugged into a live outlet.</li> <li>• Ensure the power switch on the front panel is on (blue LED).</li> <li>• Fuse is blown. Replace with T6.3AL/250V fuse type.</li> <li>• The power mode may be set to the wrong mode for the system's configuration or setup.</li> </ul>

## **WARRANTY**

### **2-Year Limited Warranty**

Episode® Amplifiers have a 2-Year Limited Warranty. This warranty includes parts and labor repairs on all components found to be defective in material or workmanship under normal conditions of use. This warranty shall not apply to products which have been abused, modified or disassembled. Products to be repaired under this warranty must be returned to the SnapAV or a designated service center with prior notification and an assigned Return Authorization (RA) number.

### **CONTACTING TECHNICAL SUPPORT**

As a thank you for purchasing Episode® Electronics products, direct technical support services are available via phone or e-mail. We encourage you to use this resource for any questions or concerns about our products. Visit our website for more support documentation.

(866) 838-5052

[techsupport@snapav.com](mailto:techsupport@snapav.com)

[snapav.com](http://snapav.com)



© 2019 Episode®  
Rev: 190906-1445