

# EZYmount

RED



Suits most  
TV screens from  
10" to 26"



\* **Attention.** If your TV requires a **VESA** pattern of 200 x 100mm, an adaptor plate is available upon request - at no additional charge.

**Note.** Adaptor must be ordered and shipped with the main mounts(s) to be FOC.

Screens  
**10-26"**  
26-66cm

Up to  
**200x100mm\***  
VESA

## VLC-303

### ARTICULATED TV WALL MOUNT

Weight  
Capacity  
**15kg**

**BLACK**

- Full Motion Adjustment:  
Swivels up to 180° and Tilts from ±45°
- Extends from wall up to 370mm
- Adjustable reach
- Three Pivot Arm
- Easy installation



See over page for detailed product information

## VLC-303

### Articulated TV Wall Mount

#### Features

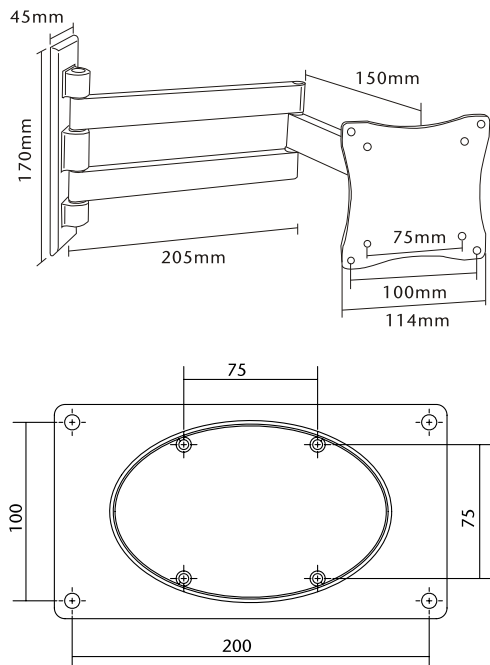
Enjoy the many features of mounting your Ezymount Red flat panel screen to the wall. Ideal for both private homes and commercial premises alike. Easy to install, the VLC-303 comes fully assembled. Complete with an elegant combination of three arms and tilt and swivel adjustments, the VLC-303 allows the screen to be viewed at the optimum angle from any position.

**Strong and Attractive.** Easily attaches to most 10" to 26" (26 to 66cm) LED/LCD screens weighing up to 15kgs using the supplied hardware kit and without the need for special tools. Solid die cast aluminium construction is powder coated in an attractive black finish. The unobtrusive design fits easily into any environment.

**Quality.** Ezymount Red VLC-303 wall mount is made from quality materials and is covered by a ten year warranty.

#### Package includes

Wall mount plate assembled with adjustable reach tilting screen plate, quality mounting hardware and installation instructions.



#### Specifications

<b>Colour</b>	Black
<b>Capacity</b>	15kg
<b>Screen sizes</b>	10" to 26" (26 to 66 cm)
<b>Tilt Range</b>	±45°*
<b>Horizontal Swivel</b>	180° (90° both left & right)*
<b>Mounting screw hole pattern</b>	<b>VESA:</b> 75x75, 100x100 and 200x100mm* compliant. * Using available adapter. Please request at time of ordering
<b>Distance of TV from Wall</b>	50mm – 370mm
<b>Retracted offset</b>	60mm

\* Degree of swivel and tilt may be affected by the size of your TV.

*Available: 200 x 100mm 'VESA' adaptor plate available FOC to allow fitment of screens using this mounting hole pattern.*

#### Notes:

**1.** Do not use the available adaptor plate if your TV screen mounting holes conform to those on the main bracket. i.e. 100 x 100mm or less.

**2.** If your TV, regardless of its screen size, weighs less than the weight capacity stated here, and the location of its mounting screw holes correspond with those listed, then this mount is suitable for your TV.

Screens  
**10-26"**  
26-66cm

Up to  
**200x100mm\***  
VESA

Weight  
Capacity  
**15kg**

**BLACK**

