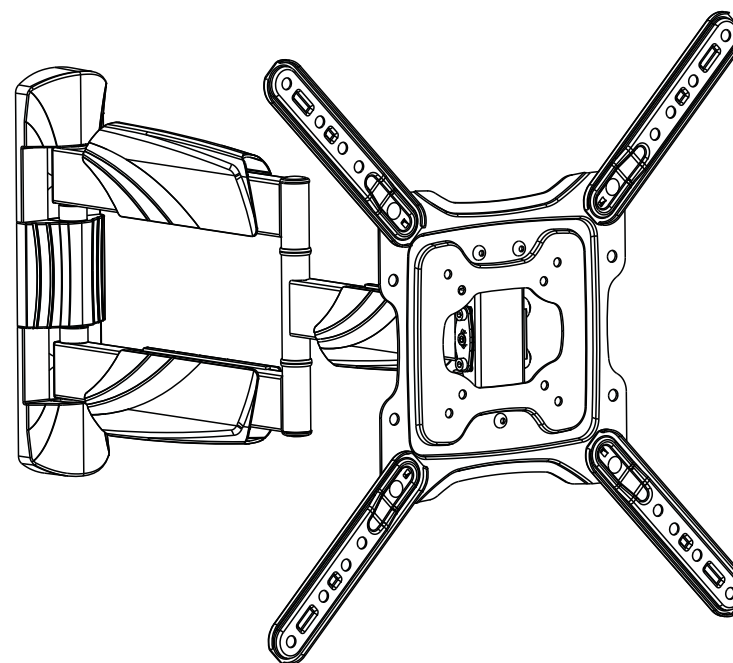


# ***EZYmount***

## **Installation Instructions**

### **Full Motion TV Wall Mount**



***EZYmount***


Please dispose of this packaging in a responsible manner – recycle cardboard/plastic wherever possible.

**VLM-3400**



75x75/100x100  
200x100/200x200  
300x200/400x200  
300x300/400x300  
400x400



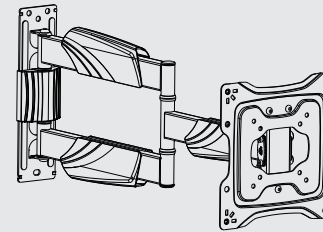
 Read the entire instruction manual before you start installation and assembly. If you have any questions regarding any of the instructions or warnings, please contact your local distributor for assistance.

## CAUTION

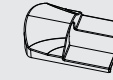
- Use with products heavier than the rated weights indicated may result in instability causing possible injury.
- Please closely follow the assembly instructions. Improper installation may result in damage or serious personal injury.
- Safety gear and proper tools must be used. This product should only be installed by professionals.
- This product is designed to be installed on solid concrete walls, masonry walls or wood stud walls.
- Make sure that the supporting surface will safely support the combined weight of the equipment and all attached hardware and components.
- Use the mounting screws provided and **DO NOT OVER TIGHTEN** mounting screws.
- This product contains small items that could be a choking hazard if swallowed. Keep these items away from children.
- This product is intended for indoor use only. Using this product outdoors could lead to product failure and personal injury.

## Component Checklist

**IMPORTANT:** Ensure that you have received all parts according to the component checklist prior to installation. If any parts are missing or faulty, telephone your local distributor for a replacement.



TV Mount (x1)  
A



Decorative Cover (x2)  
B



Extension Adapter Arm (x4)  
C



Screw (x4)  
D



Nut (x4)  
E



4mm Allen Key (x1)  
F



Wrench (x1)  
G

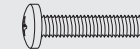
### Package M



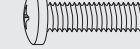
M5x14 (x4)  
M-A



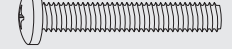
M6x14 (x4)  
M-B



M6x30 (x4)  
M-C



M8x30 (x4)  
M-D



M8x50 (x4)  
M-E



D5 Washer (x4)  
M-F



D8 Washer (x4)  
M-G

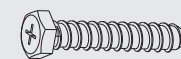


Small Spacer (x8)  
M-H

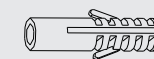


Big Spacer (x8)  
M-I

### Package W



ST6.3x55 Lag Bolt (x4)  
W-A

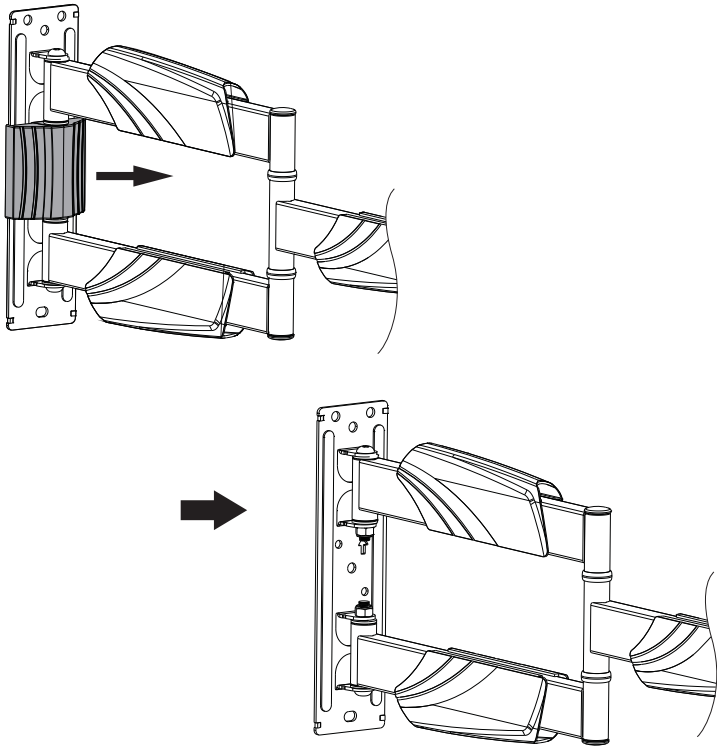


Concrete Anchor (x4)  
W-B

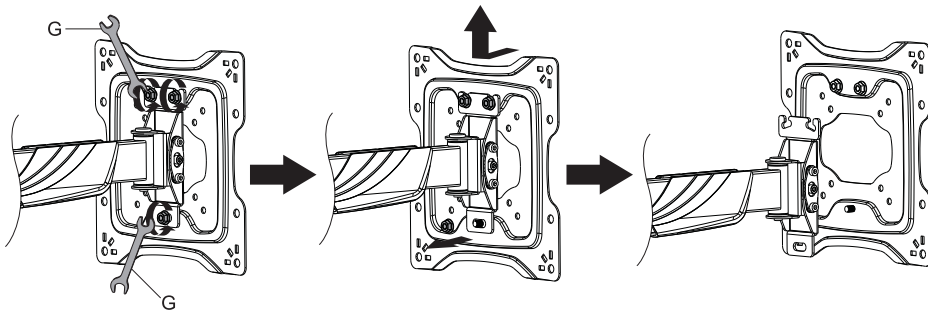


Washer (x4)  
W-C

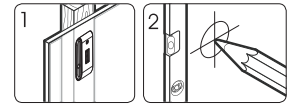
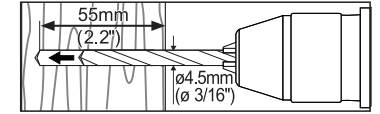
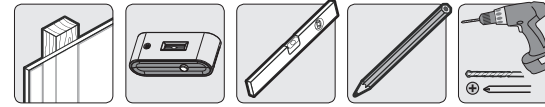
## 1. Remove the Decorative Cover



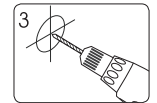
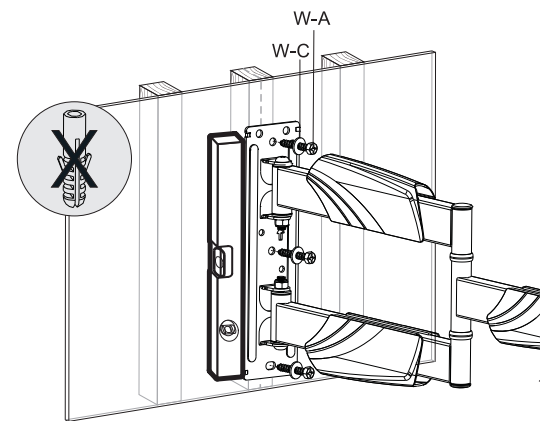
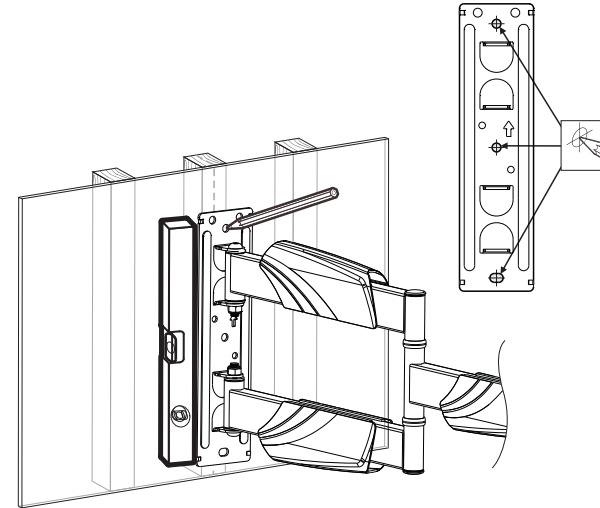
## 2. Detach the VESA Plate



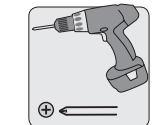
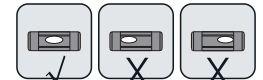
## 3a. Attach Wall Plate to Wood Stud Wall



Find and mark the exact location of mounting holes



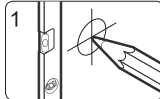
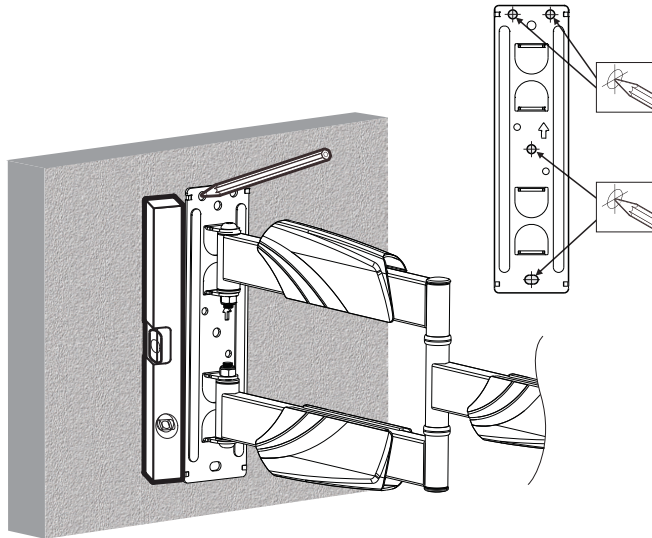
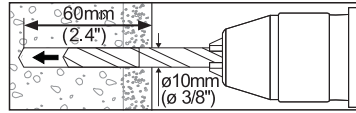
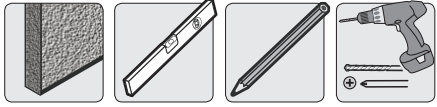
Drill pilot holes



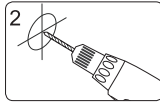
Screw the wall mount onto the wall

**Note:** Make sure that mounting screws are anchored into the centre of the studs. The use of a stud finder is highly recommended.

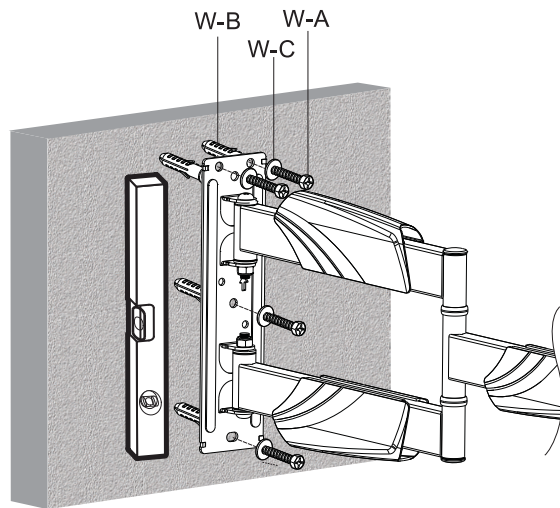
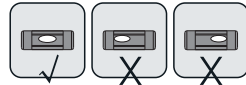
### 3b. Attach Wall Plate to Masonry Wall or Concrete Wall



1  
Mark the exact location of mounting holes

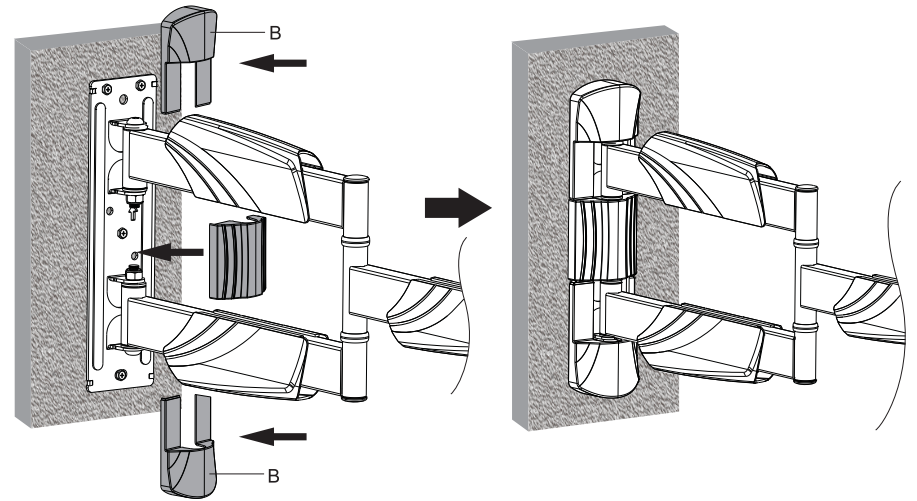


2  
Drill pilot holes



⊕  
Screw the wall mount onto the wall

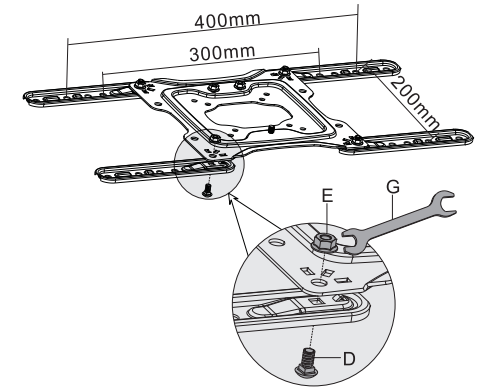
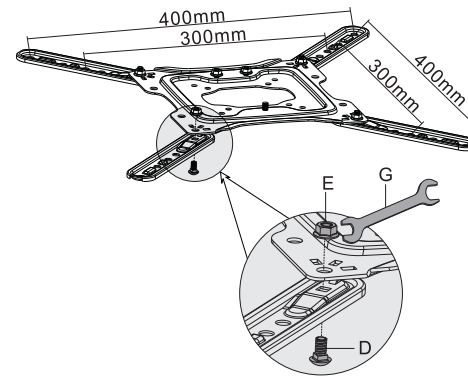
### 4. Attach the Decorative Cover



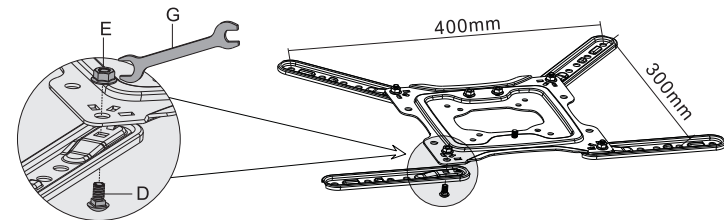
### 5. Install Extension Adapter Arm

a: VESA 300x300, 400x400

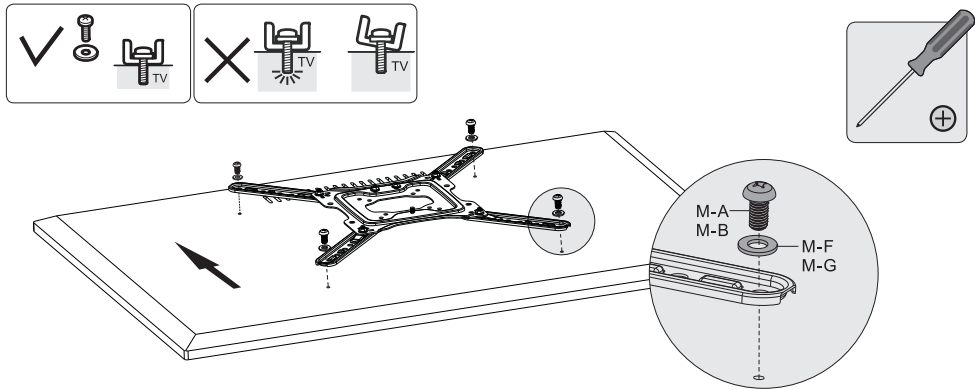
b: VESA 400x200, 300x200



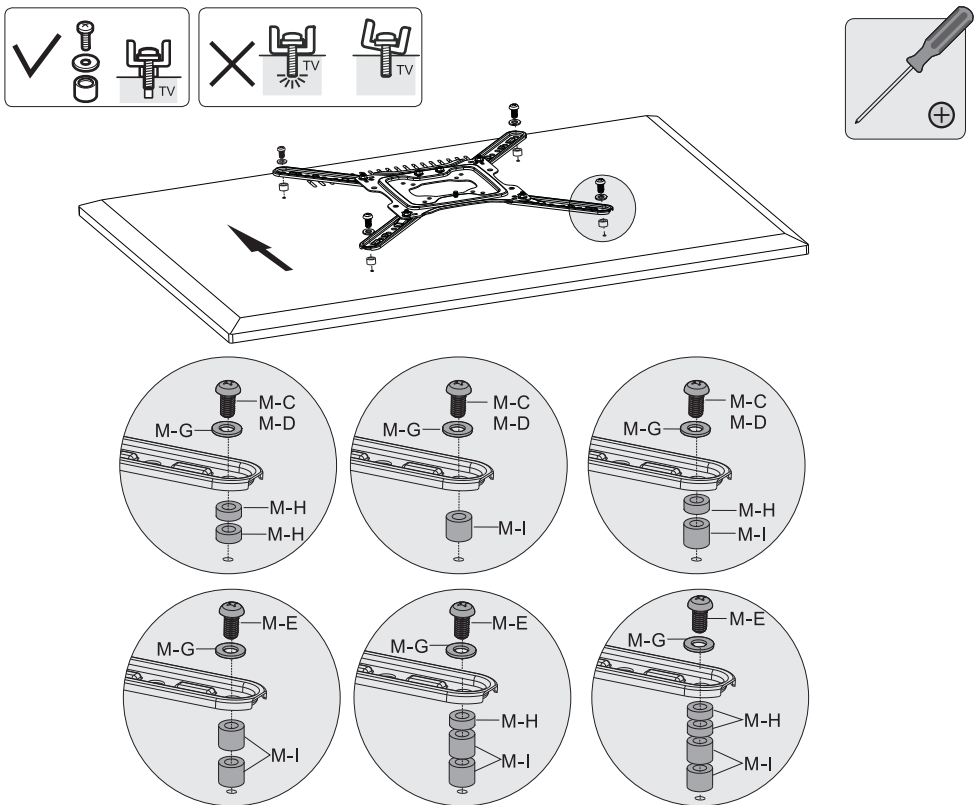
c: VESA 400x300



### 6a. Attach the VESA Plate to Flat Back Screen

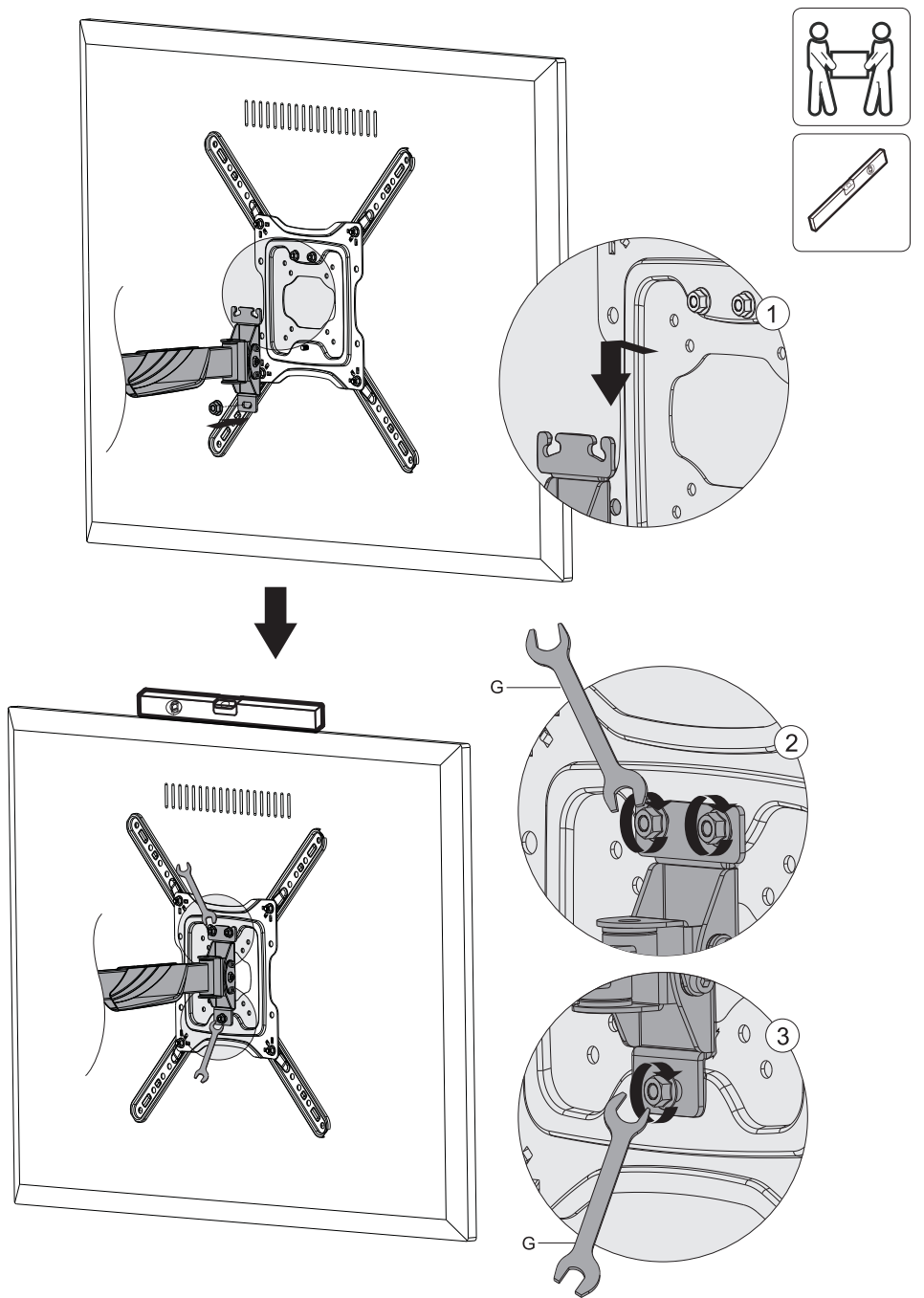


### 6b. Attach the VESA Plate to Curved or Recessed Back Screen

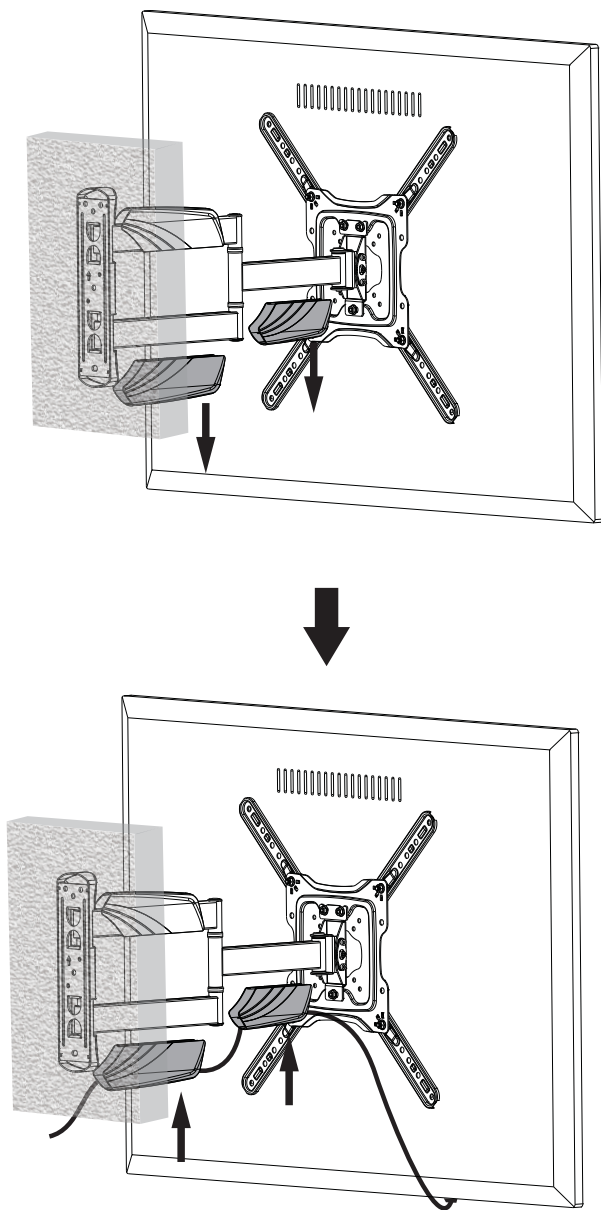


**Note:** Choose the appropriate screws, washers and spacers (if necessary) according to the type of screen.

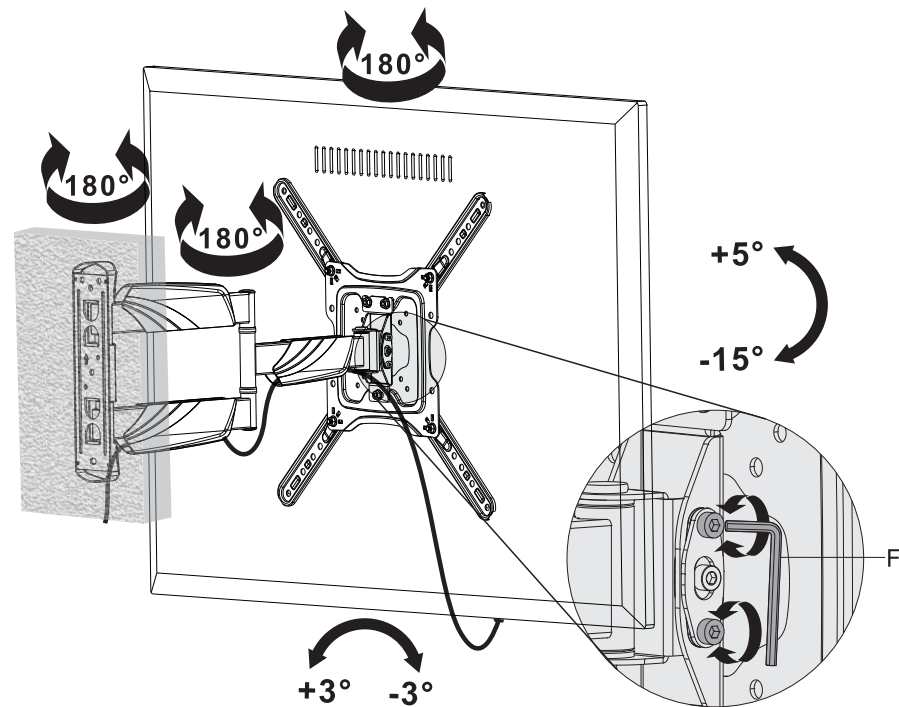
### 7. Attach TV to the Mount



## 8. Route Cable Along the Arm



## 9. Adjust the TV to Desired Position



Unscrew the upper and bottom screws using the Allen key to tilt TV to your desired angle, and then tighten the screws.

**Maintenance:** Check that the product is secure and safe to use at regular intervals (at least every three months).