

EZYmount

RED



VPM-300

TELESCOPIC PROJECTOR MOUNT

- Telescopic height adjustment 520mm to 600mm
- Mounting range from 180mm to 400mm
- 360° Rotation , $\pm 20^\circ$ Tilt and $\pm 20^\circ$ Swivel
- Ceiling adapter suitable for Flat or Inclined Ceilings
- Cable Management

Mounting
Range
**180-400
mm**

Height
Adjustment
**520-600
mm**

Weight
Capacity
30kg

WHITE



See over page for detailed product information

VPM-300

Telescopic Projector Mount

Features

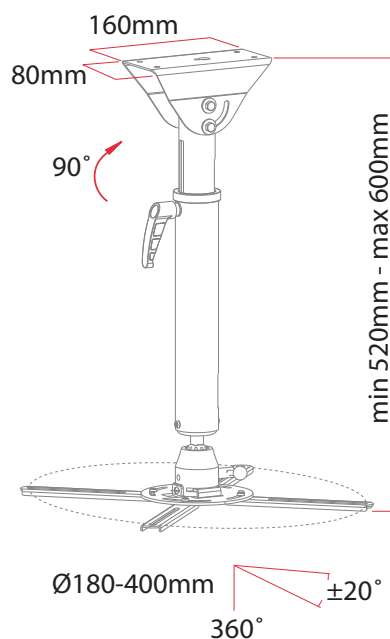
- Integrated ball joint allows 360° rotation, $\pm 20^\circ$ tilt and $\pm 20^\circ$ swivel for perfect positioning
- Cable management channel conceals cabling for neat and tidy installation
- Weight Capacity up to 30kg suits a wide range of projectors
- Height adjustable from 520mm to 600mm
- Adapter mounting range from 180mm to 400mm
- Ceiling adapter angle adjustment suits flat or inclined ceilings

Package includes

- 1 x Telescopic pole with ceiling adapter
- 1 x Adapter Disc
- 4 x Mounting Arms
- Mounting Hardware
- Installation Instructions

Specifications

Colour	White
Capacity	30kg
Mounting Range	180mm to 400mm
Rotation	360°
Tilt	$\pm 20^\circ$
Swivel	$\pm 20^\circ$



Mounting
Range
**180-400
mm**

Height
Adjustment
**520-600
mm**

Weight
Capacity
30kg

WHITE

