



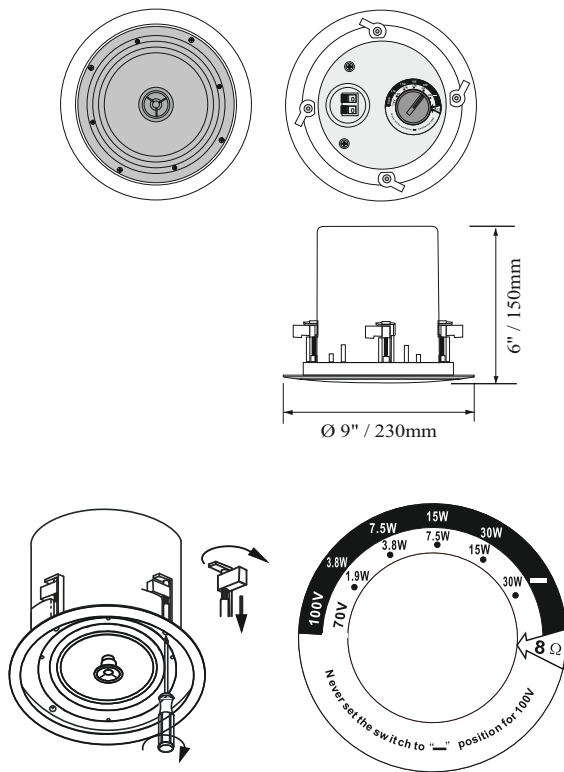
Description

The CSL 630 TIC ceiling speaker has a body made of ABS and a metallic front grille. The particular fixing system allows to reduce considerably the installation time.

CSL 630 TIC
IN-CEILING SPEAKER



Technical drawings



Technical data

General Specification	
Frequency Response	90-20KHz
Sensitivity(1M/1W)	88±3dB
S.P.L.	102dB at 100V 15W
Rated power	30W
Power Taps	30W/15W/7.5W/3.8W&8Ω
Line input	100V/70V
Hole for mounting	Φ200mm
Dimension(L*W*H)(mm)	Φ230*150
Physical Specification	
Material(panel)	ABS (white ral 9016)
Material(cover)	IRON
Grille	Powder Coated Iron Mesh(ral 9016)
Component(L.Speaker)	6" PP Woofer(foam edge)
Component(H.Speaker)	1/2" Mylar
Finished Colour	White ral 9016
Unit Weight	2.3Kg
Gross Weight	24.7Kg/8PCS
Packing Dimension	59*55*43cm
Woofer Speaker Specification	
Voice Coil Size	Asv Φ25.9*0.17*2Layer
DC Impedance	7.2Ω
Former	ASV
Magnet	Ferrite(400g)Φ90*Φ32*15(Y30)
Basket	Iron
Cone Material	PP
Spider	Cloth
Net Weight	980g

Diagrams

