



## ALL WEATHER LOUDSPEAKERS

### MAIN APPLICATIONS

Permanent installations in:

- Theme and Amusement parks
- Outdoor Entertainment centers
- Multipurpose indoor/outdoor venues
- Background music
- Athletic fields
- Swimming pools
- Convention centers
- Cruise ships
- Stadium, Arenas



### MAIN FEATURES

- 2-way multipurpose 12" coax
- Sturdy molded polyethylene curved enclosure
- 12" coaxial woofer with 2.5" coil
- 1" HF driver with 1.7" coil
- Line transformer
- 4 wires cable to select the power tapping
- IP55 weather resistant
- Standard grey finish
- Completely manufactured in Italy

### DESCRIPTION

The FBT SHADOW 112CT is a weatherproof coaxial two way loudspeaker system designed to provide high quality voice and music reproduction in applications requiring extreme weather resistance. It is designed to withstand long-term exposure to tough, environmental conditions. The low frequency transducer is a 12" woofer with a 2.5" voice coil. The high frequency section is a 1" driver with 1.7" voice coil on conical 90° horn. The FBT SHADOW 112CT features a line transformer for 70-100V applications. The cabinet is a single piece rotational moulded in polyethylene, fully UV protected. The cabinet is equipped with a stainless steel U-bracket and one security anchoring point located at the rear of the loudspeaker. The grille is in custom perforated stainless steel with 3 layers of protection. The FBT SHADOW 112CT meets the requirements of IP55 code (International Protection Rating).

### TECHNICAL SPECIFICATIONS

#### GENERAL

Configuration	way	2
Low frequency woofer	inch	12 / 2.5 coil
High frequency driver	inch	1 / 1.7 coil
Transformer		100V / 200W-100W

#### ACOUSTICAL SPEC.

Frequency response	@-6dB	70Hz - 20kHz
Max SPL (cont / peak)	dB	124 / 128
Dispersion		90° conical
Crossover frequency	kHz	1.6
Recommended HP filter		50Hz - 24dB Oct.
Sensitivity (@1W, 1m)	dB	98

#### AMPLIFIER

Recommended amplifier	W rms	600
System long term power	W	300
System short term power (IEC 268-5)	W	1200
Nominal impedance	Ohm	8

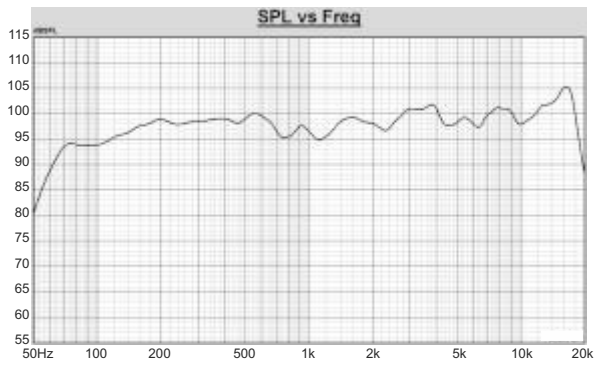
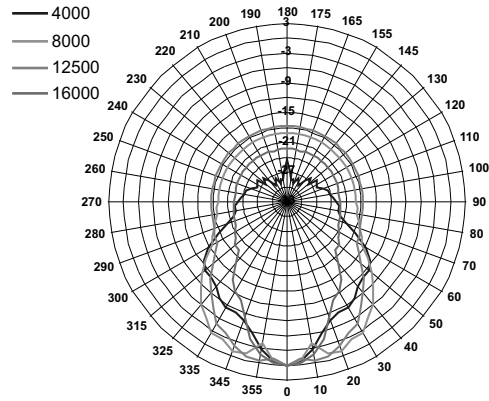
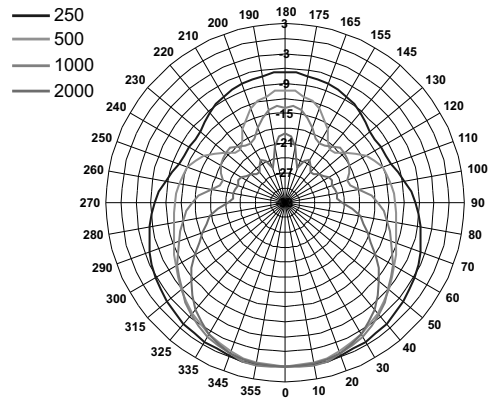
#### INPUTS / OUTPUTS

Input connectors		4 wire cable
------------------	--	--------------

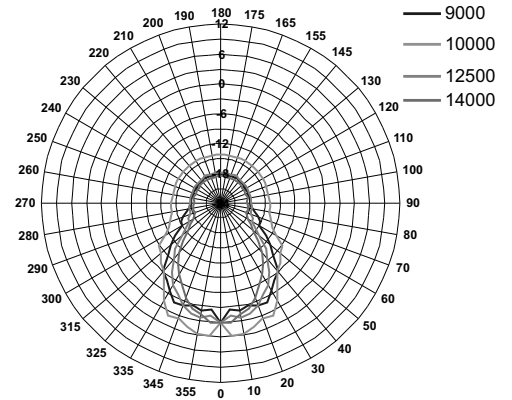
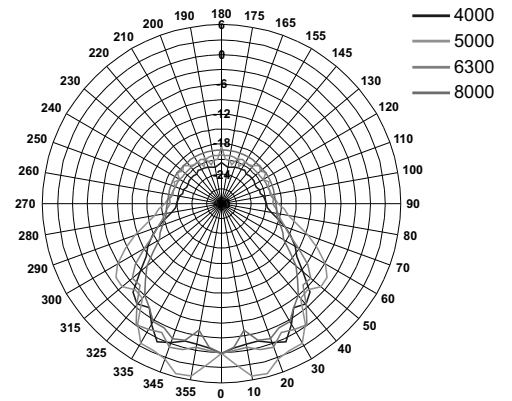
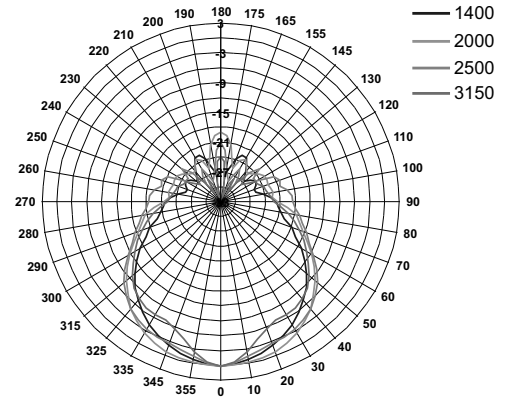
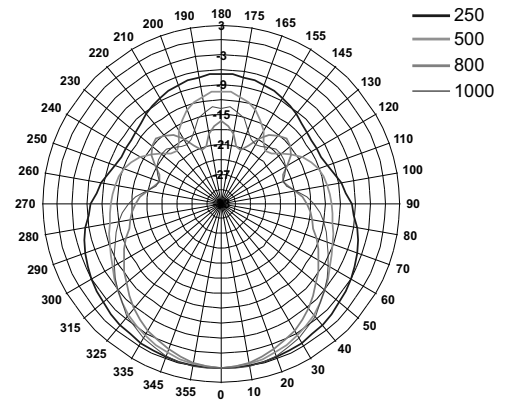
#### PHYSICAL

Enclosure material		Polyethylene rotomoulded
Grille		Custom perforated stainless steel
Net dimensions (W x H x D)	inch	16.92 x 16.92 x 15.74
Shipping dimensions (W x H x D)	inch	20.86 x 20.86 x 19.68
Net weight	lbs	33
Shipping weight	lbs	37

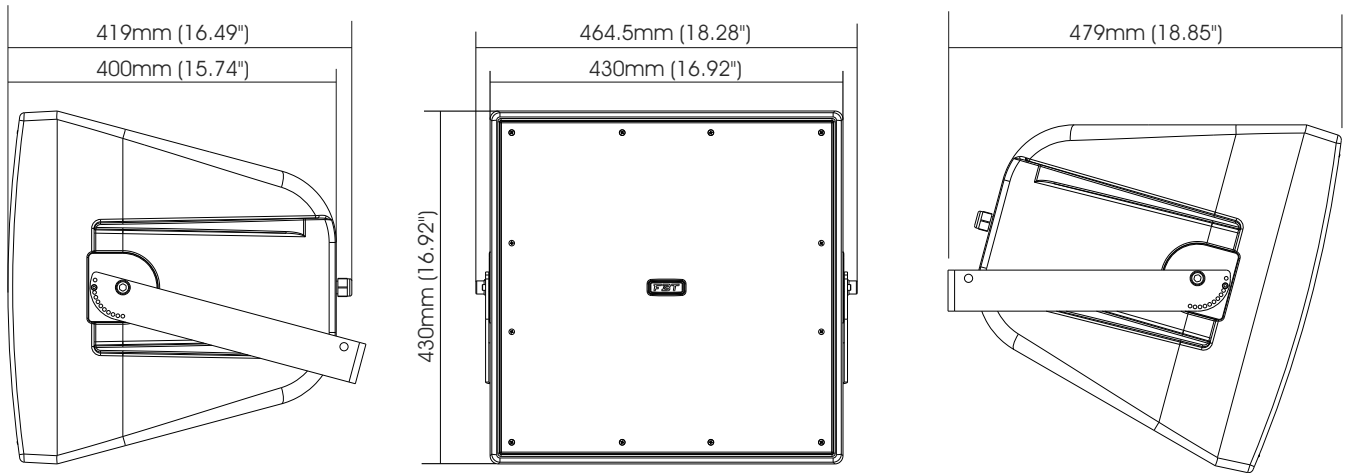
## HORIZONTAL POLAR DIAGRAM



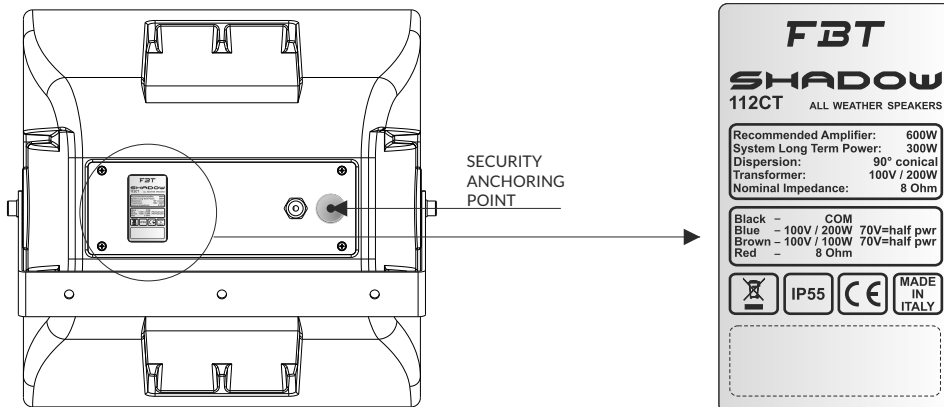
## VERTICAL POLAR DIAGRAM



## DIMENSIONAL DRAWING



## TECHNICAL SPECIFICATIONS LABEL



## SUPPLIED ACCESSORY

