



VERTUS CS 1000

APPLICATIONS

- Live sound
- Portable PA, Clubs, Houses of worship, Theme park
- DJs
- Corporate events
- Music playback and sound reinforcement in small and medium size venues

FEATURES

- 2-way speaker system
- Modular design allowing two systems to be configured as one single solution via optional accessories
- Subwoofer with a custom 12" speaker
- 6 x full range 3" neodymium woofers
- Class D amplifier delivering 600W RMS + 400W RMS
- Built-in DSP with eight presets
- Variable satellite volume in 8 steps
- Neutrik Speakon for satellite connection
- 110° (H) x 30° (V) dispersion
- Birch plywood enclosure
- Completely Manufactured in Italy



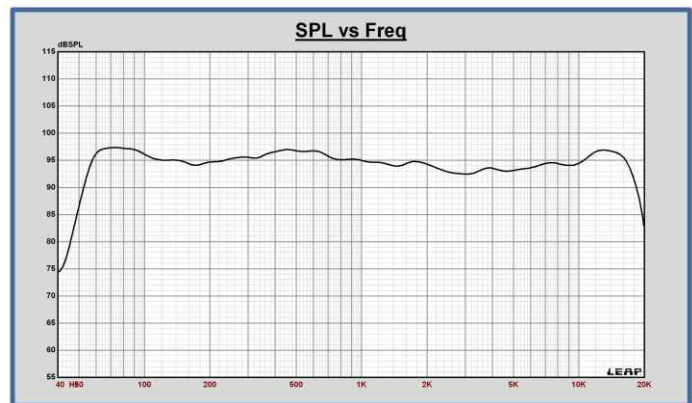
Compact Line Array Integrated System

PRODUCT DESCRIPTION

Created as a no-compromise choice for both live performers and installers, the VERTUS CS1000 compact line array combines maximum performance with a modular, scalable approach. Its lightweight but sturdy construction blended with FBT's distinctive engineering and elegance has delivered a system that can be deployed on stage within minutes, or discreetly integrated into the most delicate of decors to provide high-quality sound and controlled directivity. A bi-amplified design, the system comprises a long excursion 12" bass reflex subwoofer and a passive mounted satellite, linked via a Neutrik SPEAKON connector and equipped with six full-range neodymium 3" drivers. Onboard the subwoofer is a Class-D, two channel amplifier, complete with switch-mode power supply, delivering 600W RMS to the subwoofer and 400W RMS to the satellite, both of which are housed in birch plywood enclosures. For ease of use, a storage compartment is provided within the subwoofer enclosure to securely house both the satellite speaker and its supplied mounting pole for storage and transport. The pole consists of two sections, one of whom is telescopic, so as to allow adjusting satellite height with respect to the subwoofer, to ensure precise coverage in every venue. No listener is left untouched by the VERTUS CS1000 – the slim proportions of the satellite facilitate a wide horizontal dispersion of 110°, while the precision placement of the six 3" drivers to form a J-array creates a vertical dispersion of 30° (+10° / -20°). Other features ensure ease of use and a rugged build quality. The subwoofer is equipped with aluminum handles complete with a rubber insert to guarantee a comfortable grip – transporting the entire system, including the subwoofer, satellite, mounting pole, joint and all cables, is both convenient and comfortable. The fanless amplifier module is protected by diecast aluminum, while onboard DSP offers a choice of eight dedicated presets, each one shaped by FBT's long experience in creating proprietary algorithms to suit every requirement. The VERTUS CS1000 is compact in dimension but big on sound, while a selectable high-pass filter ensures optimum reproduction. And as your requirements grow, the VERTUS CS1000 compact line array will grow with you – simply combine four systems in a two per-side stereo configuration to achieve a remarkable 8.000W peak.

ELECTRICAL PERFORMANCE

System Type:	2 way
Built-in Amplifier LF/HF *	cont: 600 / 400W RMS peak: 1200 / 800W
Frequency Response @ -6dB	40Hz - 20kHz
Input Impedance	22k Ohm
Maximum SPL (continuous/peak) **	125dB / 129dB
Dispersion H x V	110° x 30°
Crossover Frequency	180Hz
AC Power Requirement	640 VA



PHYSICAL

Low Frequency Woofer	12" - 2.5" coil
Mid-High Frequency Driver	6 x 3" - 0.8" coil
Input Connectors	XLR with loop
Net Dimensions (WxHxD) SAT	4.09" x 20.86" x 4.56" 104 x 530 x 116mm
Net Dimensions (WxHxD) SUB	22.24" x 15.27" x 17.71" 565 x 388 x 450mm
Shipping Dimensions (WxHxD)	26.96" x 18.70" x 22.44" 685 x 475 x 570mm
Net Weight	66.13 lbs / 30 kg
Shipping Weight	74.95 lbs x 34 kg
Enclosure Material	birch plywood

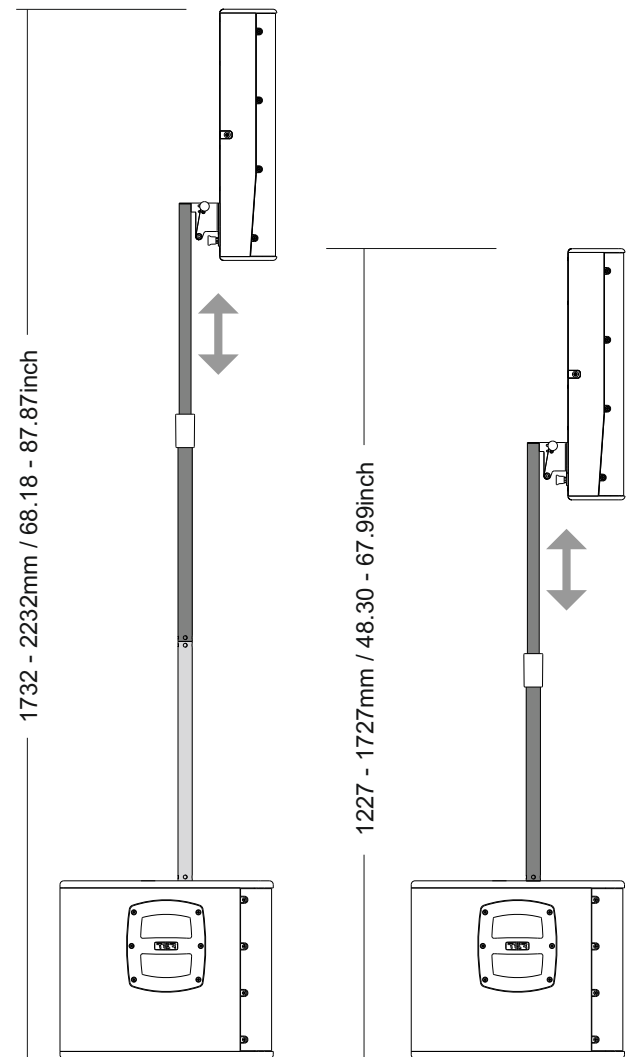
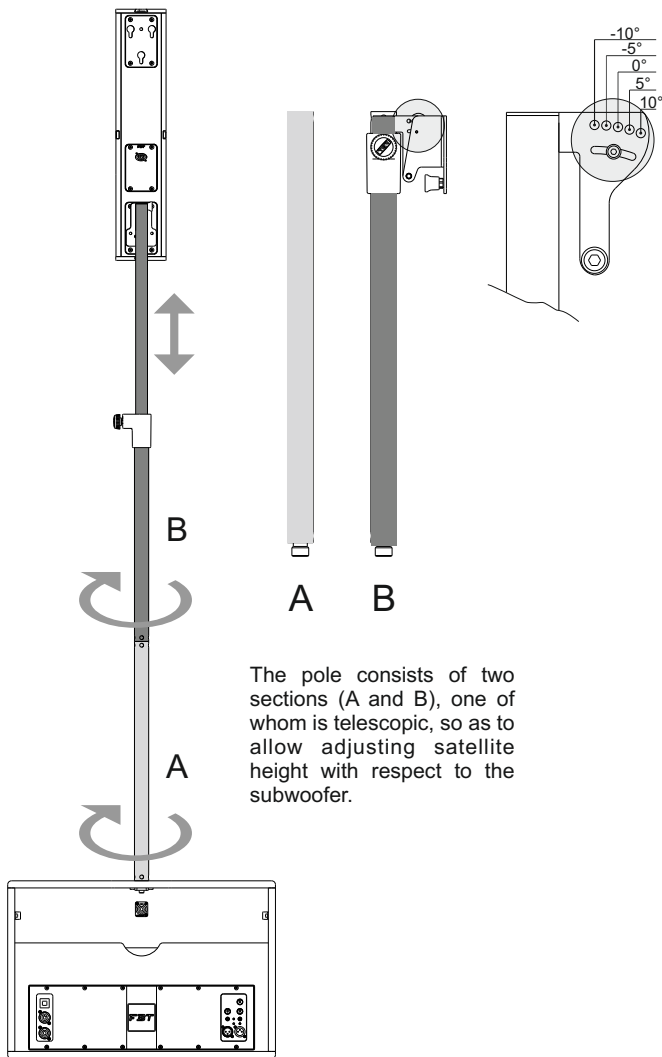
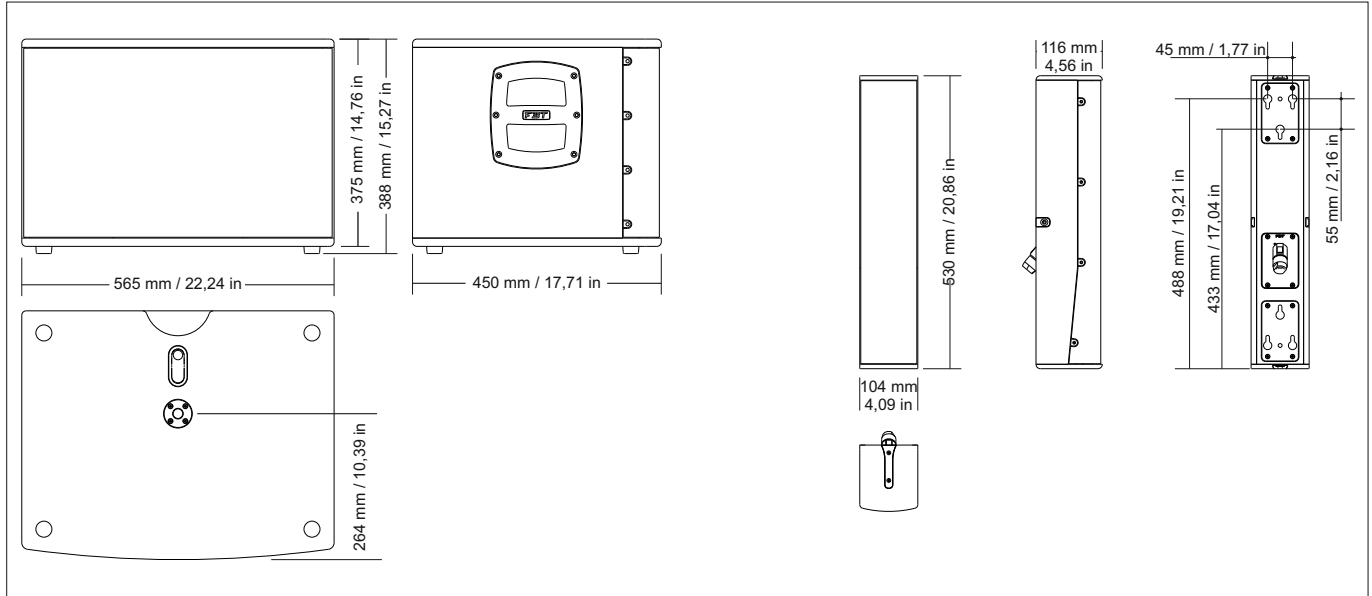
* CONT: 500mS, RMS power on nominal speaker impedance
MAX PEAK: based on max peak output voltage and nominal speaker impedance

** CONT. SPL: half space, based on continuous power amp rating and LF transducer average sensitivity data, 125mS time average
PEAK SPL: half space, based on max peak power amp rating and system peak sensitivity, 10mS time average



VERTUS CS 1000

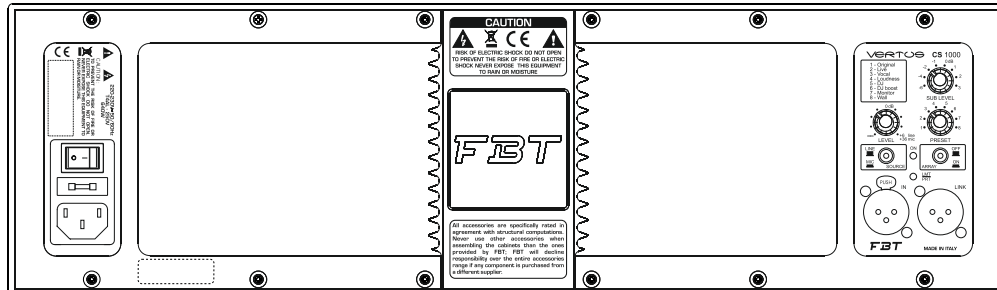
DIMENSIONAL DRAWING



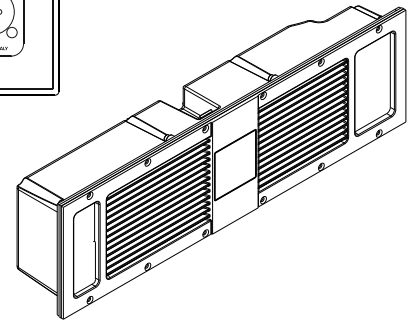


VERTUS CS 1000

CONNECTION PANEL



The subwoofer display a high-efficiency Class D power amplifier module with switching power supply enclosed in a die-cast aluminium chassis. This permits to protect the electronics against dust, avoid any air loss through the controls which would cause annoying noises, maximize heat loss by using the woofer ventilation instead of a cooling fan.



ACCESSORIES

VT-W1000
 Snodo a parete orientabile
 Directional wall mount bracket
 Articulation au mur orientable
 Gelenkverbindung mit orientierbarer Wand

VT-F1000
 Flying bar

VT-J1000
 Joint bar

TR-100
 Trolley

Material:	Aluminum+PP Plastic
Trolley Open Size:	1080*495*525mm 42.51"*19.48"*20.66"
Trolley Folding Size:	835*483*70mm 32.87"*19.01"*2.75"
Bottom Plate Size:	485*350mm / 19.09"*13.77"
Net Weight:	5KG / 11.02lb
Maximum load capacity:	120KG / 264.55lb

Il disegno del trolley è indicativo
 Trolley drawing is for indication only
 L'image du trolley montrée dans la figure n'est qu'indicative
 Die Zeichnung des Trolley ist nicht detailgetreu