

The AP-270-MNT-H2 mount kit can be used for mounting an outdoor AP to a wall.

## Package Contents

**Table 1:** *Package Contents*

Item	Quantity
AP-270-MNT-H2 mounting bracket	1
M6 x 20 screw	2

## Customer Supplied Equipment

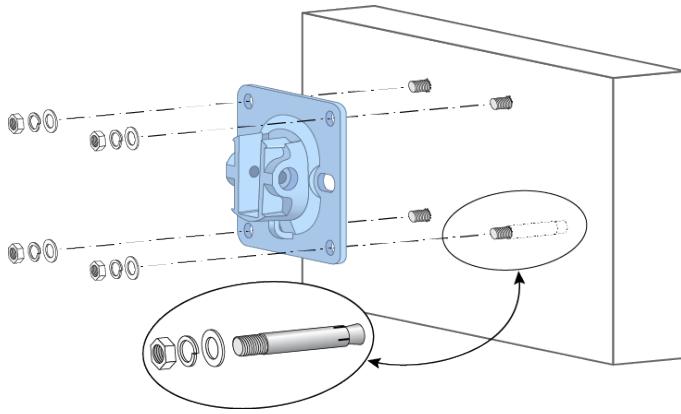
- #1 Phillips screwdriver
- Electric drill with drill bits
- Anchor bolts, washers, and nuts

## Mounting the AP to a Wall

To mount an access point to a wall, follow these steps:

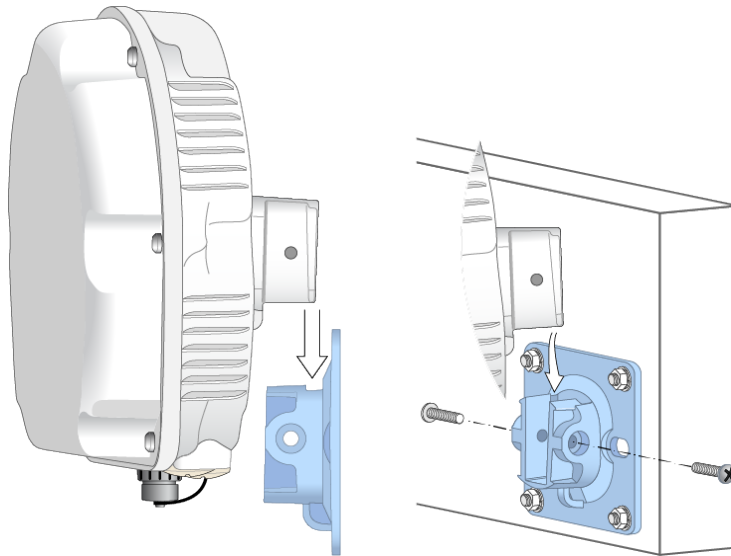
1. Use the mounting bracket as a template, or the dimensions of the mounting bracket on the last page of the printed installation guide, to mark four mounting points on the wall.
2. Use a drill to make four holes on the four markings from the previous step.
3. Insert an anchor bolt (not included in the package) into each drilled hole.
4. Place the mounting bracket over the anchor bolts and press the bracket against the wall.
5. Place the washers and nut (not included in the package) onto the bolt's threaded end and tighten the nut until the mounting bracket is firmly attached to the wall.

**Figure 1** *Attaching the Mounting Bracket to a Wall*



6. Slide the holder of the AP into the opening of the mounting bracket and use the two M6 x 20 screws included in the package to attach the AP to the mounting bracket.

**Figure 2** *Attaching the AP to the Mounting Bracket*



**Figure 3** *Attaching the AP to the Mounting Bracket (Completed)*

