

IPEL-M80V-IRW1

4x2MP IR Dome Network Camera



- Four 1/2.8" 2 Megapixel progressive scan STARVIS TM CMOS
- H.265/ H.264 triple-stream encoding
- 25/30fps@2M(1920x1080)
- WDR(140dB), Day/Night(ICR), 3DNR, AWB, AGC, BLC
- 2.7mm ~12mm motorized lens
- Max IR LEDs Length 30m
- Micro SD memory, IP67, IK10, PoE+

System Overview

The IPEL-M80V-IRW1 multi-sensor camera provides added flexibility for capturing wide area video surveillance. With four 2MP adjustable lenses can provide a flexible choice of the angle, the camera can replace multiple single-sensor cameras providing a higher return on investment.

The camera features enhanced imaging via 140dB Ultra WDR support for the first lens and 120dB for the other 3. The multi-sensor camera features contrast, backlight compensation, white balance, and resolution control to create a crystal-clear image even in the most challenging lighting conditions.

Functions

Starlight Technology

For challenging low-light applications, Starlight Ultra-low Light Technology offers best-in-class light sensitivity, capturing color details in low light. The camera uses a set of optical features to balance light throughout the scene, resulting in clear images in dark environments.

Ultra WDR

Standard WDR/HDR camera can provide 120dB dynamic Range. However, for some scenes with wider contrast range, 120dB is slightly insufficient. By adopting the latest technology, Cameras can provide an amazing dynamic range up to 140dB.

True Day/Night

A day/night mechanical IR cut filter makes this camera ideal for applications with fluctuating lighting conditions, delivering color images during the day and automatically switching to monochrome as the scene darkens.

Intelligent Video System (IVS)

With built-in intelligent video analytics, the camera has the ability to detect and analyze moving objects for improved video surveillance. The camera provides optional standard intelligence at the edge allowing detection of multiple object behaviors such as

abandoned or missing objects. IVS also supports Tripwire analytics, allowing the camera to detect when a predetermined line has been crossed, ideal for business intelligence, workforce optimization, and actionable intelligence.

Smart H.265+

Deliver high quality video without straining the network, Smart H.265+ is the optimized implementation of H.265. The Smart H.265+ encoding technology includes a scene adaptive encoding strategy, dynamic GOP, dynamic ROI, flexible multi-frame reference structure and intelligent noise reduction, providing saving of up to 70% of bandwidth and storage when compared with standard H.265

Environmental

With a temperature range of -30 °C to +60 °C (-22 °F to +140 °F), the camera is designed for extreme temperature environments. The camera complies to an IK10 impact rating making it capable of withstanding the equivalent of 5kg (11.02lbs) of force. Subjected and certified to rigorous dust and water immersion tests, the IP67 rating makes it suitable for demanding outdoor applications. For environments with rain, sleet, snow and fog, an integrated wiper provides users with clear visibility at all times.

Protection(IP67, IK10, wide voltage)

The camera allows for ±30% input voltage tolerance, suitable for the most unstable conditions for outdoor applications. Its 6KV lightning rating provides effective protection for both the camera and its structure against lightning. Subjected and certified to rigorous dust and immersion tests (IP67) and impact tests (IK10), the camera is the choice for installation in even the most unforgiving environments.

Interoperability

The camera conforms to the ONVIF (Open Network Video Interface Forum) specifications, ensuring interoperability between network video products regardless of manufacturer.

Technical Specification

Camera

Image Sensor	Four 1/2.8" 2 Megapixel progressive scan CMOS
Effective Pixels	1920(H)x1080(V)
RAM/ROM	1024MB/128MB
Scanning System	Progressive
Electronic Shutter Speed	Auto/Manual, 1/3(4)~1/100000s
Minimum Illumination	0.005Lux/F1.8(Color,1/3s,30IRE) 0.06Lux/1.8(Color,1/30s,30IRE) 0Lux/F1.8(IR on)
S/N Ratio	More than 50dB
IR Distance	Distance up to 30m(98ft)
IR On/Off Control	Auto / Manual
IR LEDs	8

Lens

Lens Type	Motorized			
Mount Type	Board-in			
Focal Length	2.7~12mm motorized			
Max. Aperture	F1.8			
Angle of View	H: 105° ~44°; V:54° ~25			
Optical Zoom	4x			
Focus Control	Motorized			
Close Focus Distance	0.2m			
DORI Distance	Detect	Observe	Recognize	Identify
	148ft	59ft	29ft	14ft
	325ft	131ft	66ft	33ft

Pan/Tilt/Rotation

Pan/Tilt/Rotation Range	Pan:0°~360°; Tilt:0°~80°; Rotation:0°~355°
-------------------------	--

Intelligence

IVS	Tripwire, Intrusion
-----	---------------------

Video

Compression	H.265(+)/H.264(+)/H.264B/H.264H/MJPEG(sub stream)
Streaming Capability	2 Streams
Resolution	1080P(1920x1080)/1.3M(1280x960)/ 720P(1280x720)/D1(704x576/704x480)/ CIF(352x288/352x240)
Frame Rate	Main Stream: 1080P(1~25/30fps) Sub Stream: D1(1~25/30fps)
Bit Rate Control	CBR/VBR
Bit Rate	H.265: 12~6144Kbps H.264: 32~8192Kbps
Day/Night	Auto(ICR) / Color / B/W
BLC Mode	BLC / HLC
WDR	140dB support for Lens 1; 120dB support for Lens 2-4
White Balance	Auto/Manual
Gain Control	Auto / Manual
Noise Reduction	3D DNR

Motion Detection	Off / On (4 Zone, Rectangle)
Region of Interest	Off / On (4 Zone)
Electronic Image Stabilization (EIS)	N/A
Smart IR	N/A
Defog	N/A
Digital Zoom	16x
Flip	0°/90°/180°/270°
Mirror	Off / On
Privacy Masking	Off / On (4 Area, Rectangle)

Audio

Compression	G.711a/ G.711Mu/ AAC/ G.726
-------------	-----------------------------

Network

Ethernet	RJ-45 (10/100Base-T)
Protocol	HTTP;TCP;ARP;RTSP;RTP;UDP;RTCP;SMTP;FTP;DHCP ;DNS;DDNS;PPPOE;IPv4/v6;SNMP;QoS;UPnP;NTP
Interoperability	ONVIF, GB/T28181, CGI
Streaming Method	Unicast / Multicast
Max. User Access	10 Users /20 Users
Edge Storage	NAS Local PC for instant recording Micro SD card 256GB
Web Viewer	IE, Chrome, Firefox, Safari
Management Software	SmartICRSS, DSS
Smart Phone	IOS, Android

Certifications

Certifications	CE (EN 60950:2000) UL:UL60950-1 FCC: FCC Part 15 Subpart B
----------------	--

Interface

Video Interface	N/A
Audio Interface	1/1 channel In/Out
RS485	1 port
Alarm	1 channel In: 5mA 5VDC 1 channel Out: 300mA 12VDC

Electrical

Power Supply	AC24V, PoE+(802.3at)(Class 4)
Power Consumption	AC 24V: 9.9W 31.2W(IR on); PoE: 10.6W 23.8W(IR on)

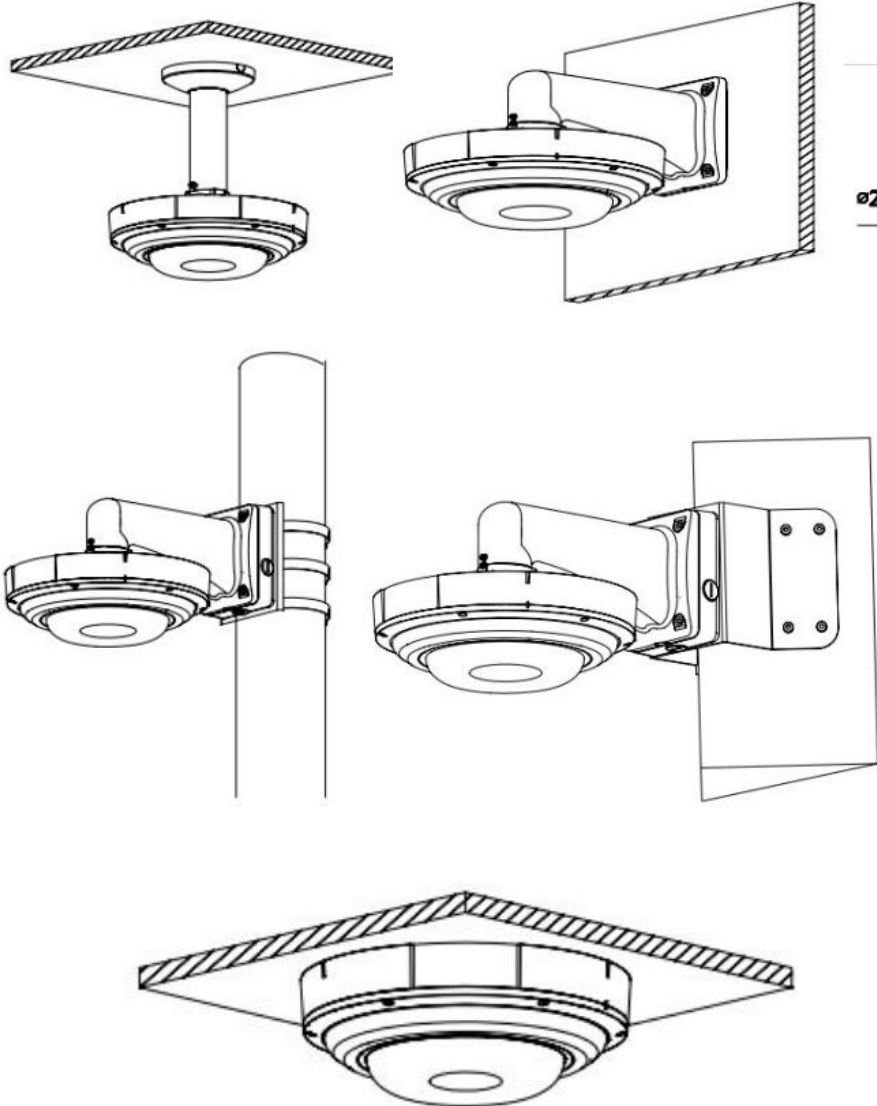
Environmental

Operating Conditions	-30° C ~ +60° C (-22° F ~ +140° F) / Less than 95% RH
Storage Conditions	-30° C ~ +60° C (-22° F ~ +140° F) / Less than 95% RH
Ingress Protection	IP67
Vandal Resistance	IK10

Construction

Casing	Metal
Dimensions	286.1mmx111.3mm
Net Weight	2.7kg (5.95lb)
Gross Weight	3.6kg (7.94lb)

Accessories



Dimensions (mm/in)

