

IR Intelligent Speed Dome Installation Manual

Version 1.0

Table of Contents

1	IR INTELLIGENT SPEED DOME INSTALLATION	1
1.1	Installation Preparation	1
1.2	Initial Setup	1
1.3	Dial Switch Setup (For Analog Speed Dome Only)	1
1.3.1	Dial Switch	1
1.3.2	Parity Setup	2
1.3.3	Baud Rate	2
1.4	Reset and SD card Installation (For IP Speed dome only)	3
1.5	Installation (For Analog and IP Speed Dome Both)	3
1.5.1	Overview	3
1.5.2	Installation Conditions	3
1.5.3	Dig holes	3
1.5.4	Speed Dome Installation	4
2	HANG MOUNT INSTALLATION	6
2.1	Installation Components	6
2.2	Installation	6
2.2.1	Installation Requirements	6
2.2.2	Installation Steps	6
3	CORNER MOUNT BRACKET	10
3.1	Component Installation	10
3.2	Installation	10

3.2.1	Installation Requirements	10
3.2.2	Installation Steps.....	10
4	POLE MOUNT BRACKET	12
4.1	Installation.....	12
4.1.1	Installation Requirements	12
4.1.2	Installation Steps.....	12
5	BRACKET DIMENSIONS	14
5.1	Wall Mount Bracket	14
5.2	Hanging Mount Bracket (Multiple Lengths)	14
5.3	Corner Mount Bracket.....	15
5.4	Pole mount bracket	15
6	APPENDIX I THUNDER PROOF AND SURGE PROTECTION	16
7	APPENDIX II ABOUT RS485 BUS	17
7.1	RS485 Bus Main Feature	17
7.2	RS485 Bus Transmission Distance	17
7.3	The Problem in Practical Use	17
7.4	RS485 Bus FAQ	18

8	APPENDIX III THE RELATIONSHIP BETWEEN THE 24V AC CABLE DIAMETER AND THE TRANSMISSION DISTANCE.....	19
9	APPENDIX IV WIRE GAUGE REFERENCE SHEET	20
10	APPENDIX V SAFETY ROPE INSTALLATION	21

Welcome

Thank you for purchasing our speed dome!

Please read the following safeguards and warnings carefully before you install or use the product!

Important Safeguards and Warnings

Safety Measures

Qualified Engineer Needed

- The installation engineer or maintenance engineer shall have corresponding CCTV system installation certificate or maintenance qualification certificate.
- The installation engineer or maintenance engineer shall have qualification certificate for work at height.
- The installation engineer or maintenance engineer shall have the basic knowledge and operation technique for low-voltage cable layout and low-voltage electronic cable connection.
- Please read the installation manual carefully and keep it well for future reference,
- We are not liable for any problems caused by unauthorized modifications or attempted repair.

Lifting Appliance Requirement

- Please select the proper speed dome installation mode and use the lifting appliances at the safety environment.
- The lifting appliances shall have the enough capacity to reach the installation height.
- The lifting appliances shall have safe performance.

Precautions

Safety Transportation

- Heavy stress, violent vibration or water splash are not allowed during transportation, storage and installation.
- This series product must use split type package during the transportation.
- We are not liable for any damage or problem resulting from the integrated package during the transportation.

About cable

Please select the cable according to your transmission distance.

The minimum video coaxial-cable requirement is:

- 75 ohm.
- Full cable with copper conductor

- 95% knitted copper shield

International Model	Max Distance (Ft\M)
RG59/U	750ft (229m)
RG6/U	1,000ft (305m)
RG11/U	1,500ft (457m)

Please keep all package material well for future use

Please keep speed dome package material well in case you need to send it back to your local retailer or manufacturer for maintenance work.

Non-original package material may result in device damage during the transportation.

When device is malfunction

Shut down the device and disconnect the power cable immediately if there is smoke, abnormal smell or abnormal function. Please contact your local retailer ASAP.

Do not try to dismantle or modify the device

- There is risk of personal injury or device damage resulting from opening the shell.
- Please contact your local retailer if there is internal setup or maintenance requirement.
- We are not liable for any problems caused by unauthorized modifications or attempted repair.

Do not allow other object falling into the device

- Please make sure there is no metal or inflammable, explosive substance in the speed dome.
- The above mentioned objects in the device may result in fire, short-circuit or damage.
- Please shut down the device and disconnect the power cable if there is water or liquid falling into the camera. Please contact your local retailer ASAP.
- Please pay attention to the camera. Avoid the sea water or rain to erode the camera.

Handle carefully

Do not allow this series product fall down to the ground.

Avoid heavy vibration.

Installation Environment Requirement

- This series speed dome should be installed in a cool, dry place away from direct sunlight, inflammable, explosive substances and etc.
- This series product shall be away from the strong electromagnetism radiant, please keep it away from wireless power, TV transmitter, transformer and etc.

Daily Maintenance

- Please use the soft cloth to clean dust on the shell, or you can use soft cloth with cleaning liquid to clean the shell and then use soft cloth to make it dry.
- Do not use gasoline, dope thinner or other chemical material to clean the shell. It may result in shell transfiguration or paint flake.

- Do not allow the plastic or rubber material to touch the shell for a long time. It may result in paint flake.

1 IR INTELLIGENT SPEED DOME INSTALLATION

1.1 Installation Preparation

Basic Requirement

- All installation and operation here should conform to your local electrical safety codes.
- Before installation, please open the package and check all the components are included. Please make sure the speed dome installation environment and installation mode can meet your requirement. If there is special requirement, please contact your local retailer for more information.
- We assume no liability or responsibility for all the fires or electrical shock caused by improper handling or installation.

Check installation space and installation location intension

Please make sure the installation environment has enough space to install the speed dome and its corresponding bracket.

Please make sure the ceiling, wall and the bracket can support the speed dome and its corresponding installation component. It shall sustain the 4X weight of the speed dome.

1.2 Initial Setup

The default setup is:

- Address: 1
- Baud rate: 9600
- Parity: None.

1.3 Dial Switch Setup (For Analog Speed Dome Only)

1.3.1 Dial Switch

There are two dial switch buttons on the PCB of one side of the speed dome (There are labels.). You can use them to set speed dome protocol, baud rate, address and etc. See Figure 1-1 . It is 1 when you set the button as ON.

For the protocol dial switch, you can refer to the following sheet. 1 is the lowest bit and the 8 is the highest bit.

1	2	3	4	5	6	7	8	ON	
NC			120Ω	Parity			Baud rate		Connect to the 120Ω

Please note the IR speed dome can automatically recognize the DH-SD, PELCO-D. PELCO-P. Usually you do not need to set the protocol.

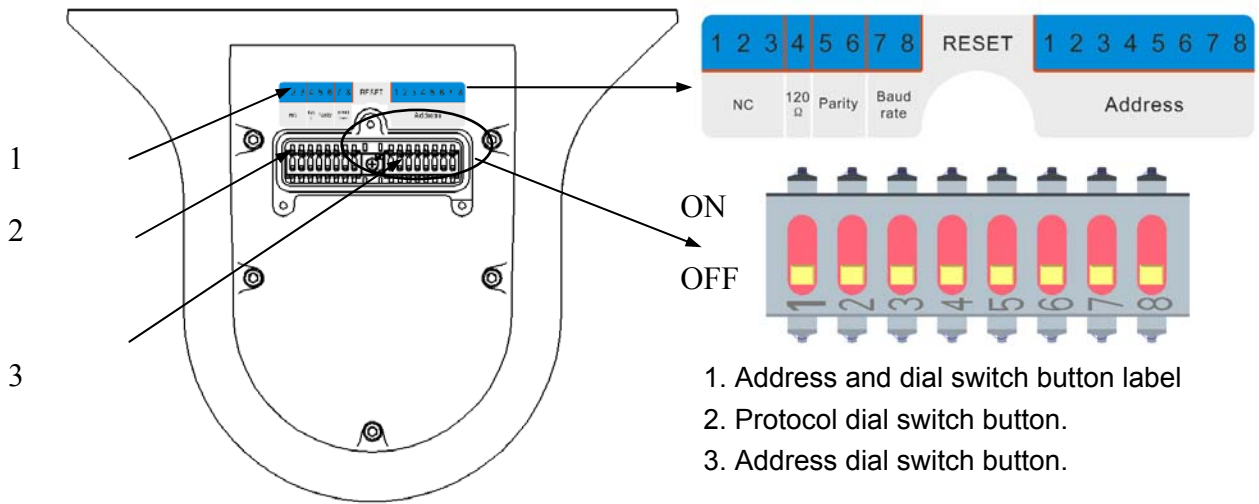


Figure 1-1

1.3.2 Parity Setup

Please refer to the parity setup sheet for detailed information.

5	6	Parity
OFF	OFF	NONE
ON	OFF	EVEN
OFF	ON	ODD
ON	ON	NONE

1.3.3 Baud Rate

Please refer to the baud rate sheet for detailed information.

7	8	Baud Rate
OFF	OFF	9600bps
ON	OFF	4800bps
OFF	ON	2400bps
ON	ON	1200bps

The encode mode adopts binary system. 1 to 8 is valid bit. The highest address bit is 255. You can refer to the following sheet for more information.

Address	1	2	3	4	5	6	7	8
1	OFF	OFF	OFF	OFF	OFF	OFF	OFF	OFF
1	ON	OFF	OFF	OFF	OFF	OFF	OFF	OFF
2	OFF	ON	OFF	OFF	OFF	OFF	OFF	OFF
3	ON	ON	OFF	OFF	OFF	OFF	OFF	OFF
4	OFF	OFF	ON	OFF	OFF	OFF	OFF	OFF
5	ON	OFF	ON	OFF	OFF	OFF	OFF	OFF

6	OFF	ON	ON	OFF	OFF	OFF	OFF	OFF
7	ON	ON	ON	OFF	OFF	OFF	OFF	OFF
8	OFF	OFF	OFF	ON	OFF	OFF	OFF	OFF
.....							
254	OFF	ON	ON	ON	ON	ON	ON	ON
255	ON	ON	ON	ON	ON	ON	ON	ON

1.4 Reset and SD Card Installation (For IP Speed dome only)

You can see there are a RESET button, dial switch button and Micro-SD card on one side of the PCB of the speed dome. See Figure 1-1 . It is 1 when you set the button as ON. RESET button is to restore factory default setup. Micro-SD card is to save the data.

You can refer to the sheet for dial switch information.

1	2	ON	OFF
120Ω	NC	Connect to 120Ω	

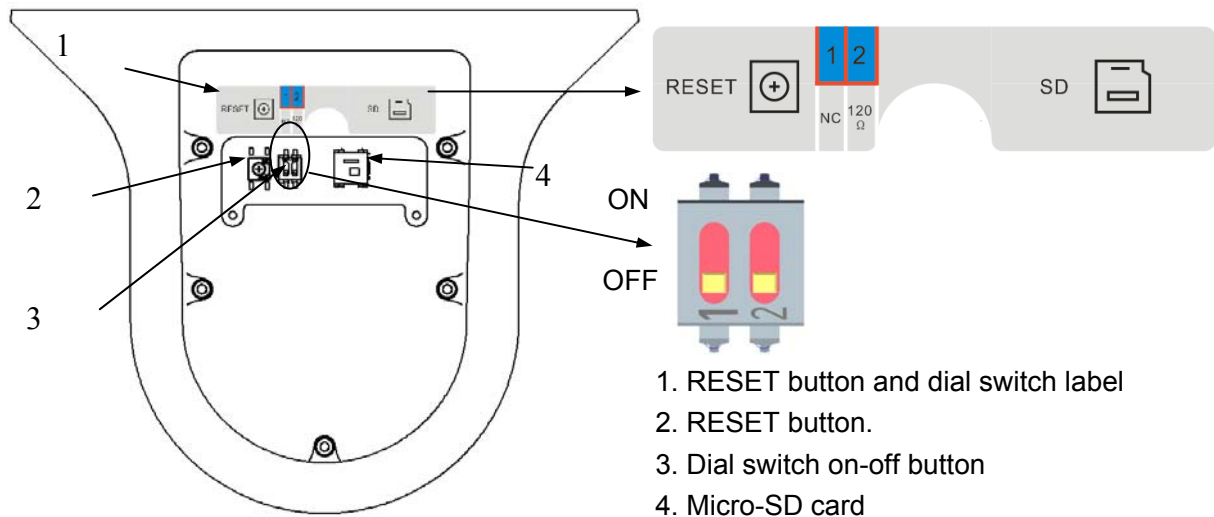


Figure 1-2

1.5 Installation (For Analog and IP Speed Dome Both)

1.5.1 Overview

The speed dome has various brackets suitable for different environments. For detailed information, please refer to chapter 2 and chapter 4. Here we are going to install the analog speed dome with the wall mount bracket.

1.5.2 Installation Conditions

Wall mount bracket is for the indoor and outdoor hard wall construction environments.

Before the installation, please make sure the wall thickness can sustain the expansion bolt. The wall can support at least the 4X of the speed dome weight.

1.5.3 Dig holes

Draw the installation holes in the wall according to the holes at the bottom of the wall mount bracket. Dig the installation holes. Insert the expansion bolts into the holes. (Please note the expansion bolts are not included in the accessories bag.). See Figure 1-3.

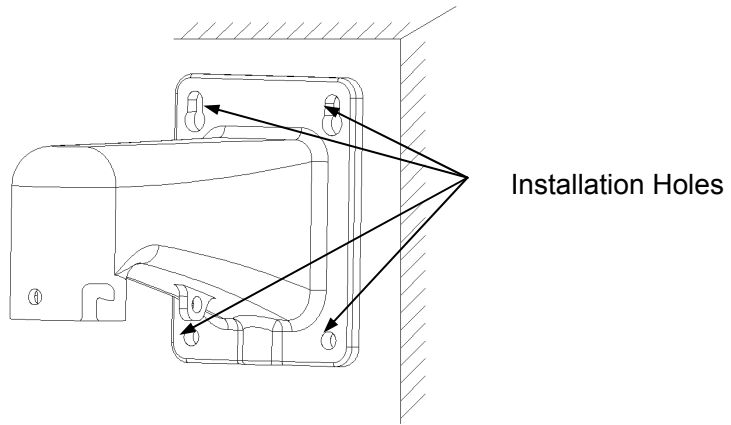


Figure 1-3

1.5.4 Speed Dome Installation

Step 1: Connect the speed dome to the bracket.

Use the quick installation screw of the speed dome and the quick installation block to fix the speed dome on the bracket. Use the M6 inner hex screw to secure firmly. See Figure 1-4.

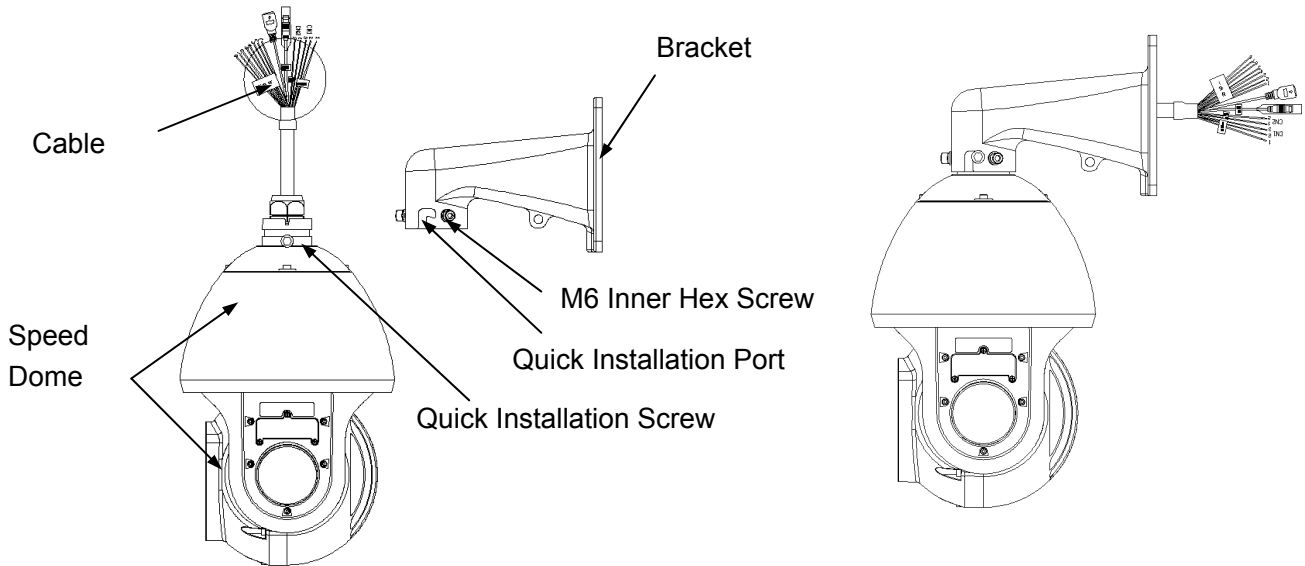
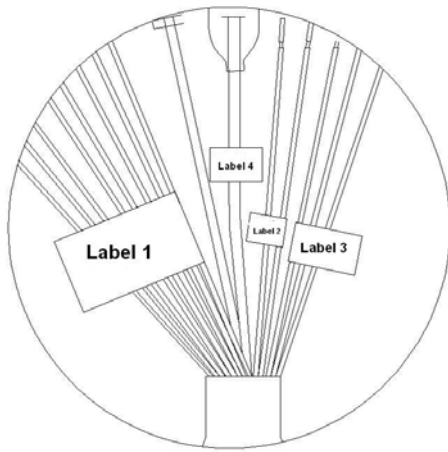


Figure 1-4

Step 2: Cable connection

Connect the video, RS485, power (Network, alarm, audio are optional) to the corresponding ports. See Figure 1-5.

Please note the cables listed in the Figure 1-5 is for reference only.



Label 1
 Purple: ALARM_COM
 Brown: ALARM_OUT
 Red: ALARM_IN1
 Orange: ALARM_IN2
 Yellow: AUDIO OUT
 Black: GND
 Green: AUDIO GND
 White: AUDIO IN

Label 3
 POWER
 Red=AC24V
 Black=AC24V
 Yellow&green=GND

Label 2
 RS485
 Yellow=A+
 Orange=B-

Label 4
 Video Out

Figure 1-5

Step3: Secure the bracket

Secure the speed dome and the bracket to the wall firmly. See Figure 1-6.

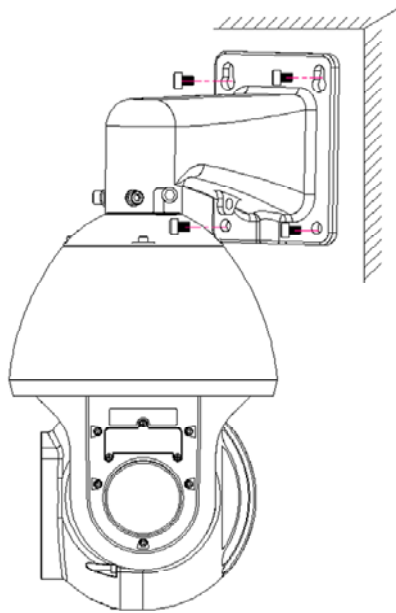


Figure 1-6

2 Hang Mount Installation

2.1 Installation Components

Please refer to the following sheet for bracket and components information. See Figure 2-1.

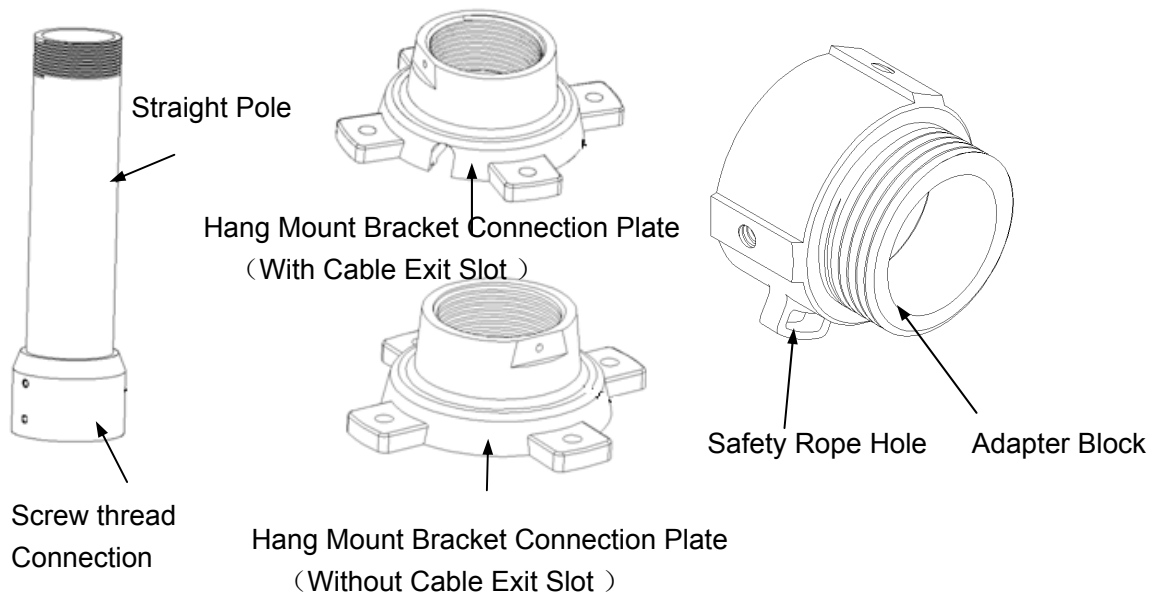


Figure 2-1

2.2 Installation

2.2.1 Installation Requirements

The hang mount speed dome can be installed in the hard construction wall in the indoor or outdoor environments. Before the installation, please make sure:

- The wall is thick enough to install the expansion bolt.
- The wall can at least sustain the 4x weight of the speed dome.

2.2.2 Installation Steps

For the speed dome without the straight pole, please refer to the contents below.

Step 1: Dig Holes

Draw the installation holes in the wall according to the holes at the bottom of the connection plate. Dig the installation holes. Insert the expansion bolts into the holes. (Please note the expansion bolts are not included in the accessories bag.). See Figure 2-2.

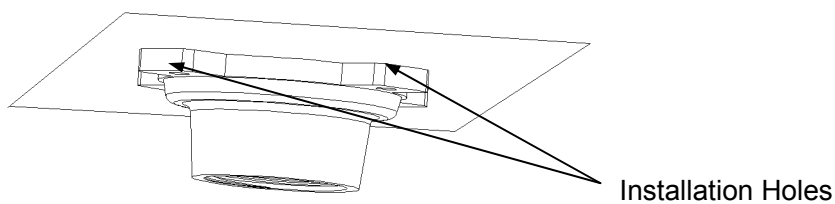


Figure 2-2

Step 2 Installation bracket components.

Fix the connection plate to the ceiling and then turn the connection block to the bracket connection plate. See Figure 2-3.

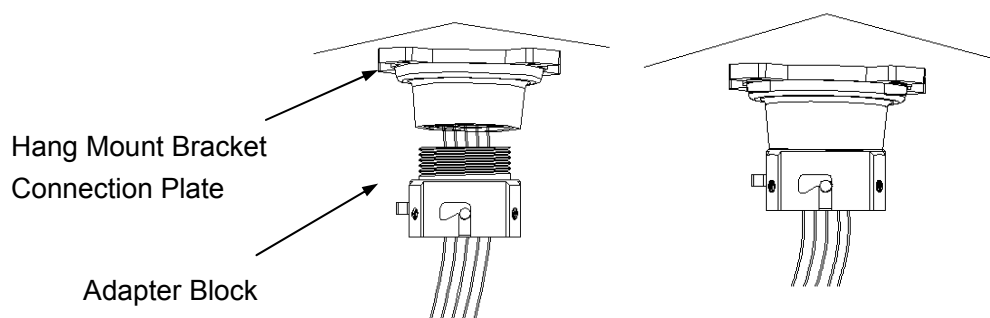


Figure 2-3

Step 3 Connect cable and the speed dome.

Connect the safety rope of the speed dome to the safety rope hole of the adapter block. Now you can connect the cable: video, RS485, power (network, alarm, audio are optional). Please refer to Figure 1-5 for cable connection information. Please note the cables listed in the Figure 1-5 is for reference only.

Use the quick installation screw of the speed dome and the quick installation port of the adapter block to fix the speed dome on the adapter block. Use the M6 inner hex screw to secure firmly. See Figure 2-4.

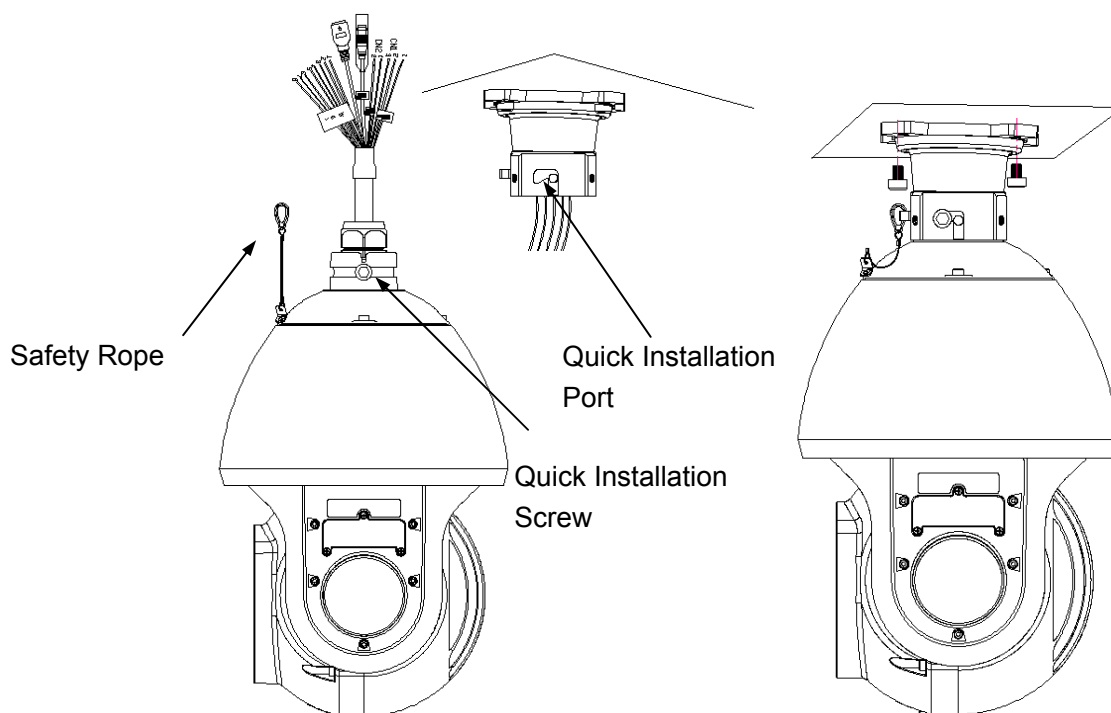


Figure 2-4

Please note, if the speed dome is installed in the outdoor environments, you need to paste the silica gel on the surface of the flange and the surface and the cable exit.

For the speed dome with the straight pole, please refer to the contents below.

Step 1: Dig holes

Draw the installation holes in the wall according to the holes at the bottom of the connection plate. Dig the installation holes. Insert the expansion bolts into the holes. (Please note the expansion bolts are not included in the accessories bag.). See Figure 2-2.

Step 2 Components installation

Fix the bracket connection plate to the ceiling and then turn the straight pole to the connection plate. Turn the adapter block into the straight pole of the bracket. See Figure 2-5.

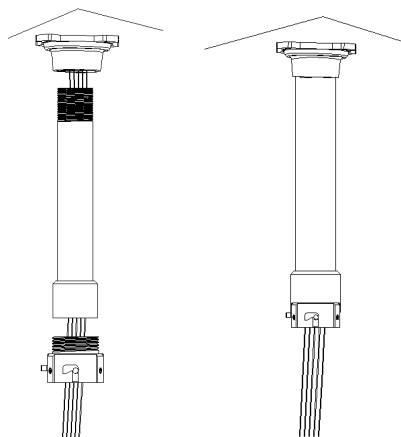


Figure 2-5

Step 3: Connect cable and the speed dome.

Connect the safety rope of the speed dome to the safety rope hole of the adapter block. Now you can connect the cable: video, RS485, power (network, alarm, audio are optional). Please refer to Figure 1-5 for cable connection information. Please note the cables listed in the Figure 1-5 is for reference only.

Use the quick installation screws of the speed dome and the quick installation port of the adapter block to fix the speed dome on the adapter block. Finally, you can use the M6 inner hex screws to secure the speed dome firmly. See Figure 2-6.

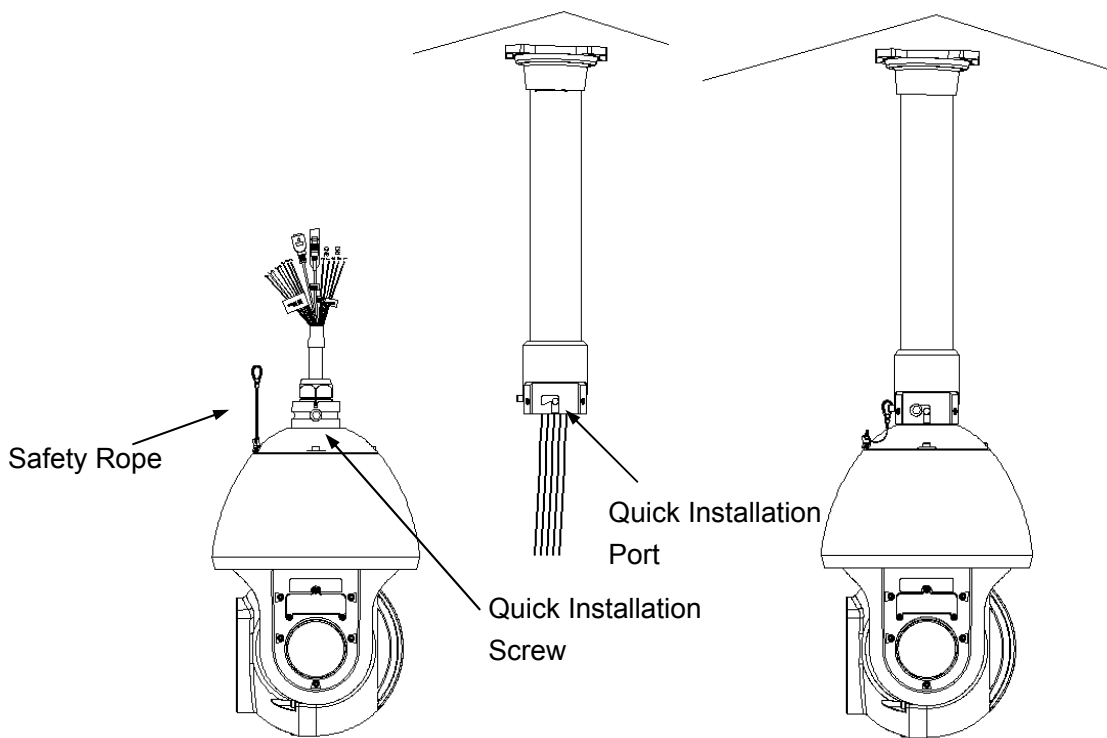


Figure 2-6

Please note, if the speed dome is installed in the outdoor environments, you need to paste enough Teflon tape at the top screw thread of the steeve and then turn the steeve to the flange firmly. Please paste the silica gel on the steeve connection surface to do the waterproof work.

3 Corner Mount Bracket

3.1 Component Installation

Corner mount bracket and its components are shown as below. See Figure 3-1.

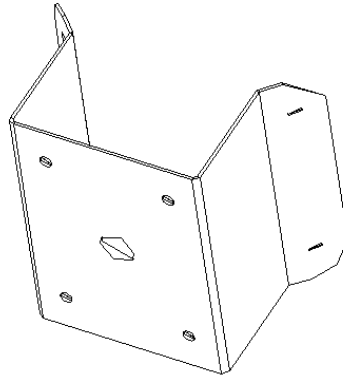


Figure 3-1

3.2 Installation

3.2.1 Installation Requirements

The corner mount speed dome can be installed in the hard construction wall in the indoor or outdoor environments where there is a 90 degrees angle. Before the installation, please make sure:

- The wall is thick enough to install the expansion bolt.
- The wall can at least sustain the 4x weight of the speed dome.

3.2.2 Installation Steps

Step1: Install corner mount bracket.

Please draw four holes position in the wall according to the holes of the corner installation accessories. See Figure 3-2.

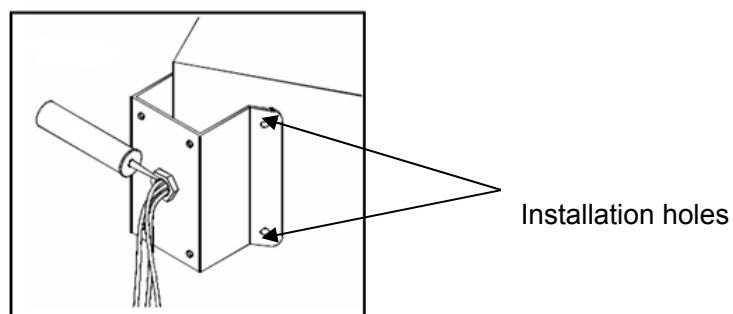


Figure 3-2

Step 2: Speed dome installation

For detailed information, Please refer to chapter 1.5.4.

After the installation, it is shown as in Figure 3-3.

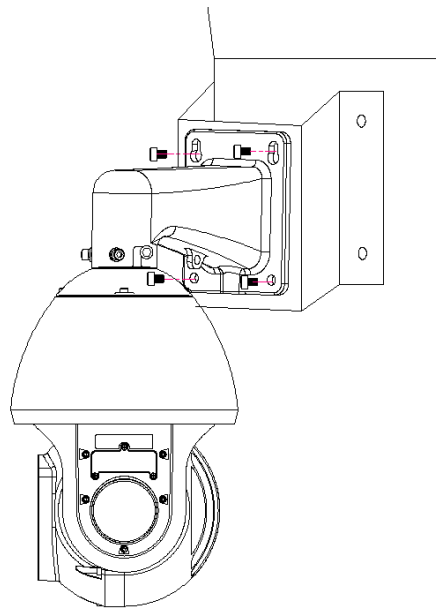


Figure 3-3

4 Pole mount bracket

Pole mount bracket and its components are shown as below. See Figure 4-1.

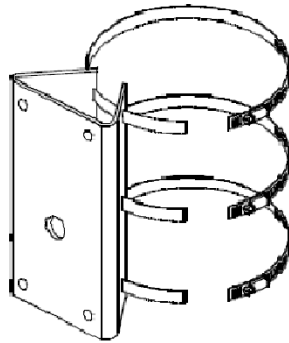


Figure 4-1

4.1 Installation

4.1.1 Installation Requirements

The corner mount speed dome can be installed in the hard construction wall in the indoor or outdoor environments.

Before the installation, please make sure:

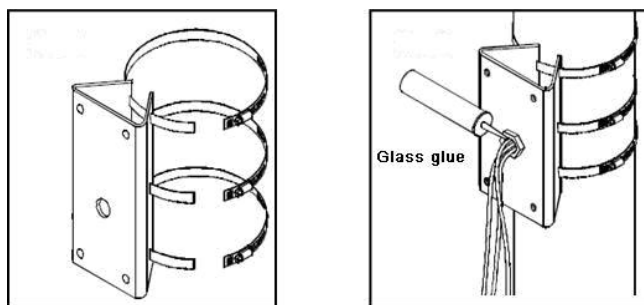
- The pole bracket can sustain the 4X weight of the speed dome.
- The diameter of the pole structure shall comply with the installation dimension of the clamp.

4.1.2 Installation Steps

Step 1: Fix bracket and the pole.

Install clamp and then pole mount bracket. Pull the cable out of the pole accessories and then use clamp to fix the pole accessories to the pole. See Figure 4-2.

Finally, you can use glass cement to the output hole to secure waterproof.



Clamp and pole bracket connection Pole bracket and the pole connection

Figure 4-2

Step 2: Install speed dome.

For detailed information, Please refer to chapter 1.5.4.

After the installation, the interface is shown as in Figure 4-3.

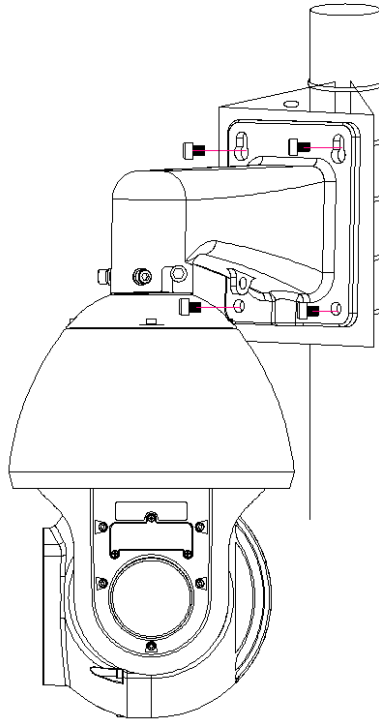


Figure 4-3

5 BRACKET DIMENSIONS

5.1 Wall Mount Bracket

The wall mount bracket dimensions are shown as below. See Figure 5-1.

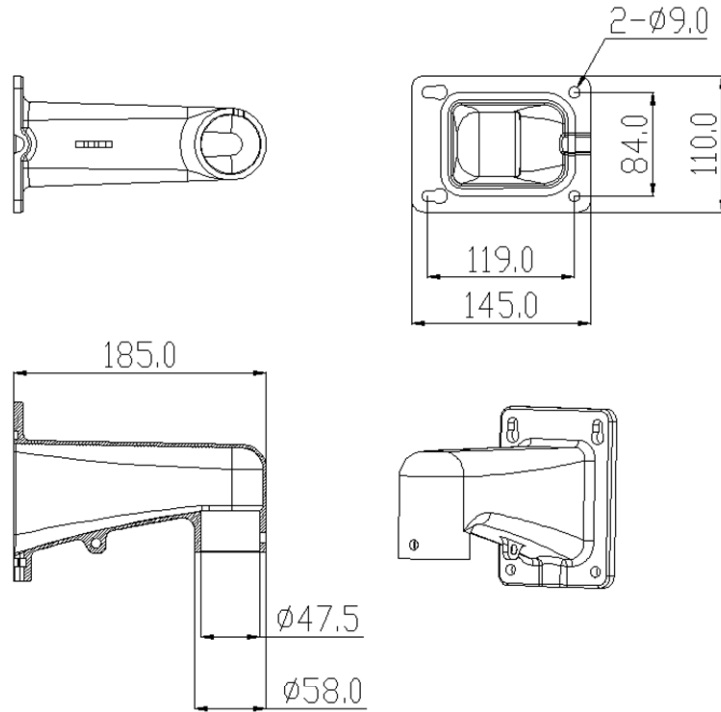


Figure 5-1

5.2 Hanging Mount Bracket (Multiple Lengths)

The hanging mount bracket is shown as below. See Figure 5-2.

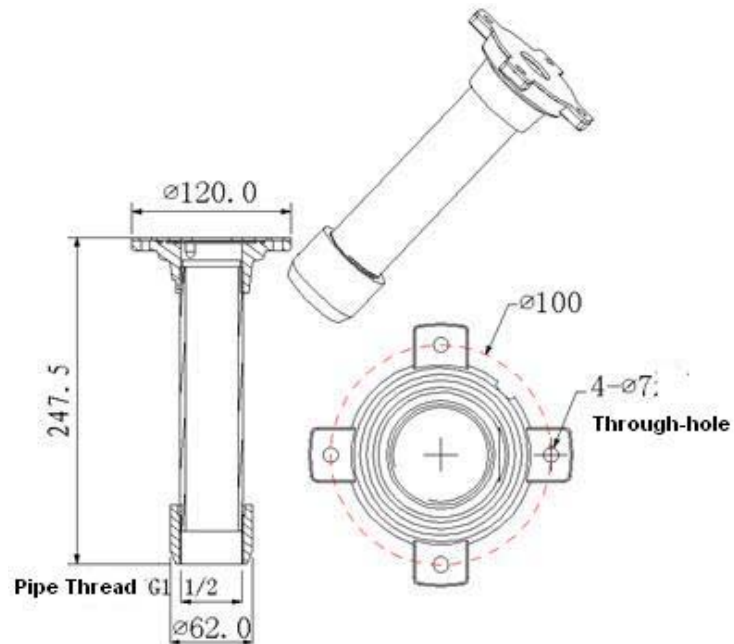


Figure 5-2

5.3 Corner Mount Bracket

The corner mount bracket is shown as below. See Figure 5-3.

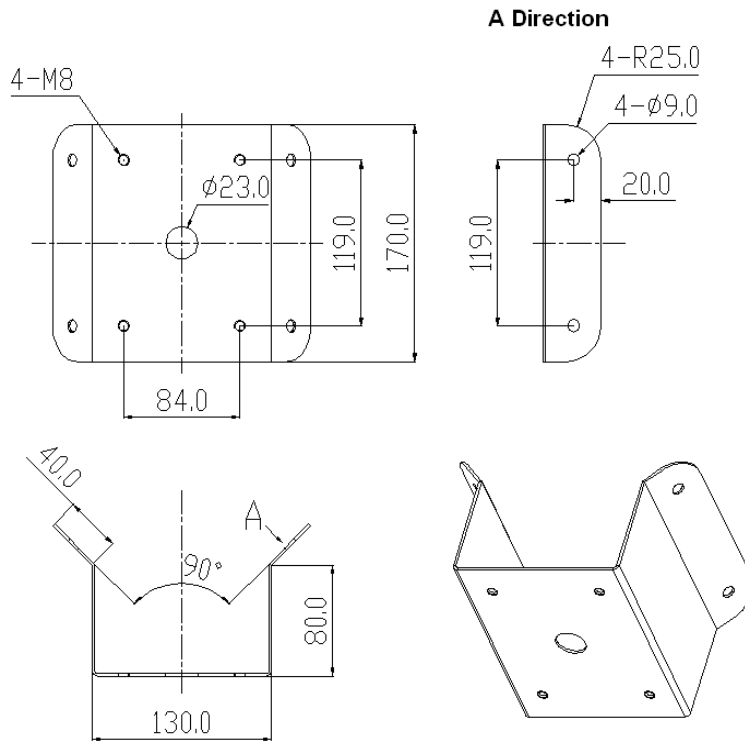


Figure 5-3

5.4 Pole mount bracket

The corner mount bracket is shown as below. See Figure 5-4.

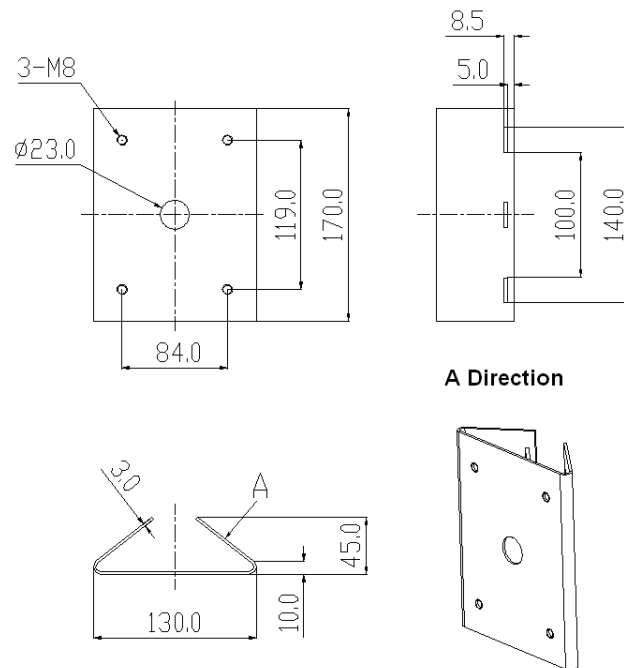


Figure 5-4

6 APPENDIX I THUNDER PROOF AND SURGE PROTECTION

This series speed dome adopts TVS lighting protection technology. It can effectively prevent damages from various pulse signals below 1500W, such as sudden lighting and surge. While maintaining your local electrical safety code, you still need to take necessary precaution measures when installing the speed dome in the outdoor environment.

- The distance between the signal transmission cable and high-voltage device (or high-voltage cable) shall be at least 50 meters.
- Outdoor cable layout shall go under the penthouse if possible.
- For vast land, please use sealing steel tube under the land to implement cable layout and connects one point to the earth. Open floor cable layout is forbidden.
- In area of strong thunderstorm hit or near high sensitive voltage (such as near high-voltage transformer substation), you need to install additional high-power thunder protection device or lightning rod.
- The thunder protection and earth of the outdoor device and cable shall be considered in the building whole thunder protection and conform to your local national or industry standard.
- System shall adopt equal-potential wiring. The earth device shall meet anti-jamming and at the same time conforms to your local electrical safety code. The earth device shall not short circuit to N (neutral) line of high voltage power grid or mixed with other wires. When connect the system to the earth alone, the earth resistance shall not be more than $4\ \Omega$ and earth cable cross-sectional area shall below $25\ \text{mm}^2$. See Figure 6-1.

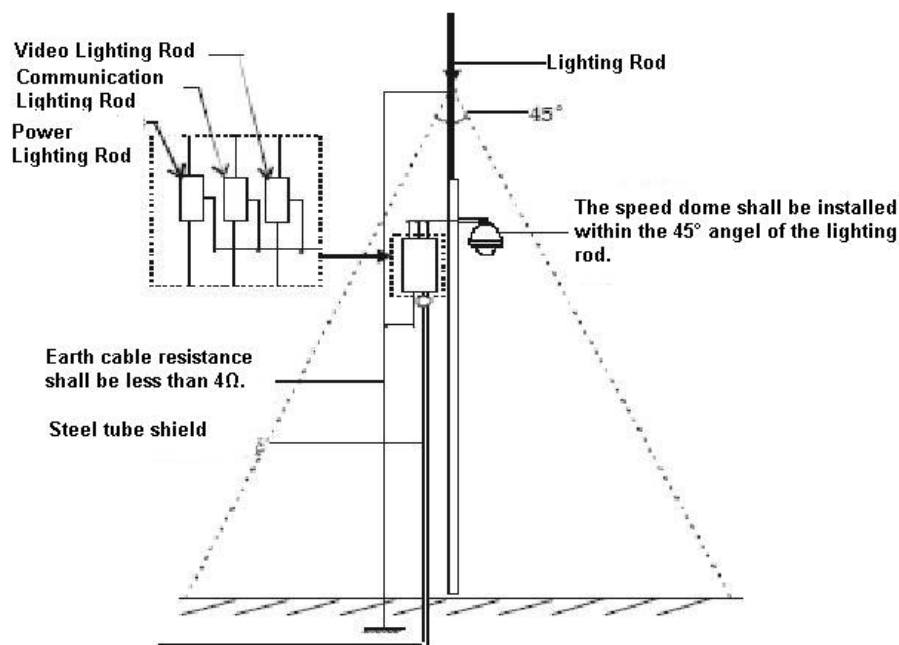


Figure 6-1

7 APPENDIX II ABOUT RS485 BUS

7.1 RS485 Bus Main Feature

RS485 is semi duplex communication cable of impedance $120\ \Omega$. Its max load amount is 32 effective loads (including main control device and devices to be charged).

7.2 RS485 Bus Transmission Distance

When we take 0.56mm (24AWG) twisted-pair as communication cable, the max transmission distance (theoretically) are listed below (according to different baud rates).

Baud Rate	Max Distance
2400 BPS	1800M
4800 BPS	1200M
9600 BPS	800M

In the following situations, the max transmission distance shall become shorter accordingly:

- The communication cable is a little bit thin;
- The surrounding environment has strong electromagnetic interference;
- There are too much devices connected to the RS485 bus;

And vice versa, the max transmission distance shall become longer.

7.3 The Problem in Practical Use

In practical usage, we usually adopt star type connection. The terminal resistance shall connect to the furthest two devices (Such as device 1# and device 15# in Figure 7-1). But this connection way does not conform to RS485 Bus standard. When the distances between devices are too long, the signal reflection occurs and anti-jamming decreases, thus the signal reliability becomes very low. You can see speed dome is not under control or speed dome is running automatically and can not stop.

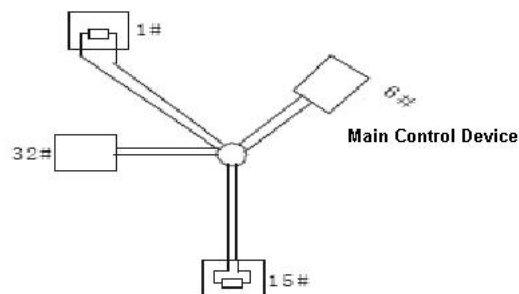


Figure 7-1

In this situation, we recommend RS485 distributor. This device can turn star type connection into the connection that conforms to RS485 bus industry standard, which can avoid the above mentioned problems and enhance communication reliability. See Figure 7-2.

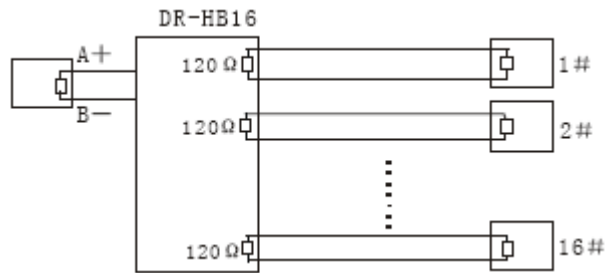


Figure 7-2

7.4 RS485 Bus FAQ

Phenomenon	Possible Reasons	Solution
Speed dome can run self-diagnosis but I can not control it.	<ul style="list-style-type: none"> ● Host address(baud rate) and speed dome address(baud rate) are not match; ● Positive and negative end of RS485 Bus are misconnected; ● Connection cable is loose; ● RS485 Bus connection are cut off; 	<ul style="list-style-type: none"> ● Modify host or speed dome setup ; ● Switch RS485 positive end and negative end; ● Fix connection cable firmly; ● Replace RS485 Bus.
I can control the speed dome but is not smooth	<ul style="list-style-type: none"> ● RS485 Bus connection are not good; ● One RS485 bus is off; ● The distance between host and speed dome is too far; ● Parallel connected too much speed domes. 	<ul style="list-style-type: none"> ● Connect RS 485 Bus again; ● Replace RS485 Bus; ● Add terminal matching resistance; ● Add RS485 distributor.

8 Appendix III The relationship between the 24V AC cable diameter and the transmission distance

It is the recommended transmission distance when the cable diameter is fixed and the 24V AC power consumption is below 10%. For the AC device, the max permission voltage power consumption is 10%. For example, when a device of rated power 80VA installed from the transformer 35 inches (10m), then the min cable diameter is 0.8000mm.

Feet (m) \ mm	0.8000	1.000	1.250	2.000
va				
10	283 (86)	451 (137)	716 (218)	1811 (551)
20	141 (42)	225 (68)	358 (109)	905 (275)
30	94 (28)	150 (45)	238 (72)	603 (183)
40	70 (21)	112 (34)	179 (54)	452 (137)
50	56 (17)	90 (27)	143 (43)	362 (110)
60	47 (14)	75 (22)	119 (36)	301 (91)
70	40 (12)	64 (19)	102 (31)	258 (78)
80	35 (10)	56 (17)	89 (27)	226 (68)
90	31 (9)	50 (15)	79 (24)	201 (61)
100	28 (8)	45 (13)	71 (21)	181 (55)
110	25 (7)	41 (12)	65 (19)	164 (49)
120	23 (7)	37 (11)	59 (17)	150 (45)
130	21 (6)	34 (10)	55 (16)	139 (42)
140	20 (6)	32 (9)	51 (15)	129 (39)
150	18 (5)	30 (9)	47 (14)	120 (36)
160	17 (5)	28 (8)	44 (13)	113 (34)
170	16 (4)	26 (7)	42 (12)	106 (32)
180	15 (4)	25 (7)	39 (11)	100 (30)
190	14 (4)	23 (7)	37 (11)	95 (28)
200	14 (4)	22 (6)	35 (10)	90 (27)

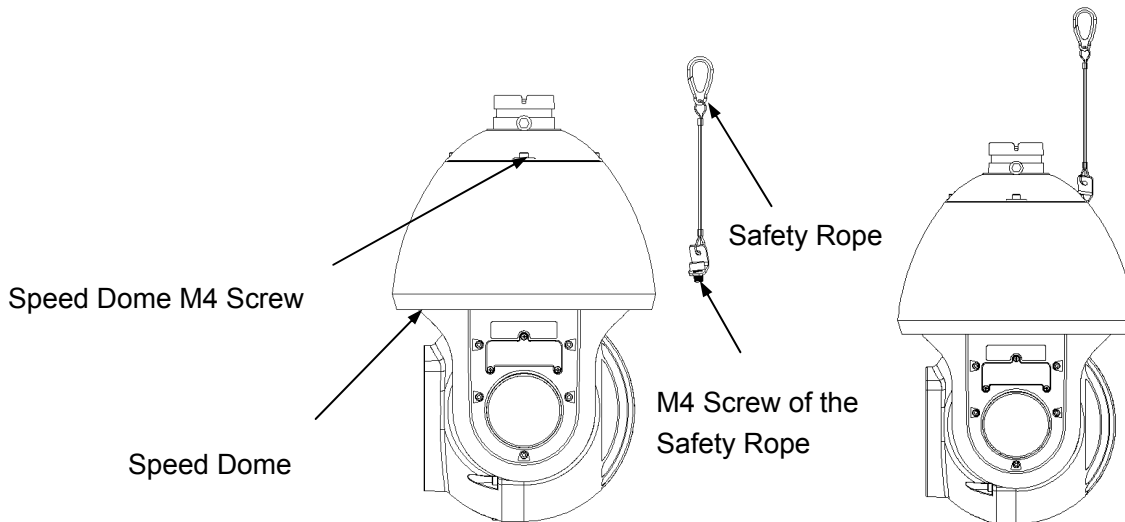
9 Appendix IV Wire gauge reference sheet

Metric bare wire diameter (mm)	AWG	SWG	Bare wire cross section (mm ²)
0.050	43	47	0.00196
0.060	42	46	0.00283
0.070	41	45	0.00385
0.080	40	44	0.00503
0.090	39	43	0.00636
0.100	38	42	0.00785
0.110	37	41	0.00950
0.130	36	39	0.01327
0.140	35		0.01539
0.160	34	37	0.02011
0.180	33		0.02545
0.200	32	35	0.03142
0.230	31		0.04115
0.250	30	33	0.04909
0.290	29	31	0.06605
0.330	28	30	0.08553
0.350	27	29	0.09621
0.400	26	28	0.1257
0.450	25		0.1602
0.560	24	24	0.2463
0.600	23	23	0.2827
0.710	22	22	0.3958
0.750	21		0.4417
0.800	20	21	0.5027
0.900	19	20	0.6362
1.000	18	19	0.7854
1.250	16	18	1.2266
1.500	15		1.7663
2.000	12	14	3.1420
2.500			4.9080
3.000			7.0683

10 Appendix V Safety Rope Installation

Remove one M4 screw from the speed dome and then use the M4 screw of the safety rope to fix the safety rope on the speed dome.

Please note the contents in this chapter are for hang (pendant) mount installation only.



Note

- This manual is for reference only. Slight difference may be found in the user interface.
- All the designs and software here are subject to change without prior written notice.
- If there is any uncertainty or controversy, please refer to the final explanation of us.
- Please visit our website or contact your local service engineer for more information.