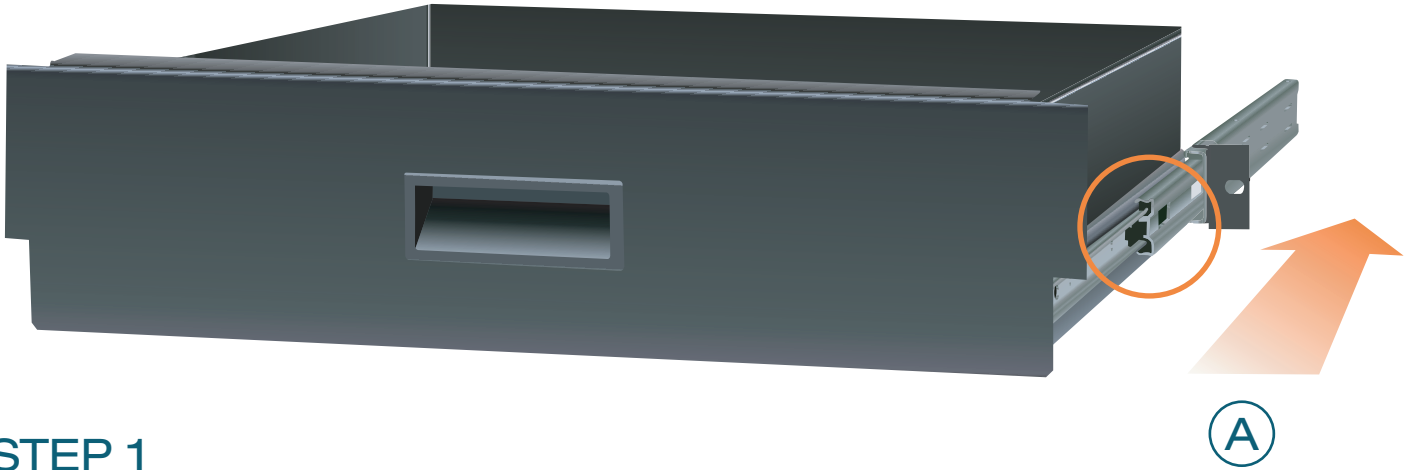


Telescopic Drawer



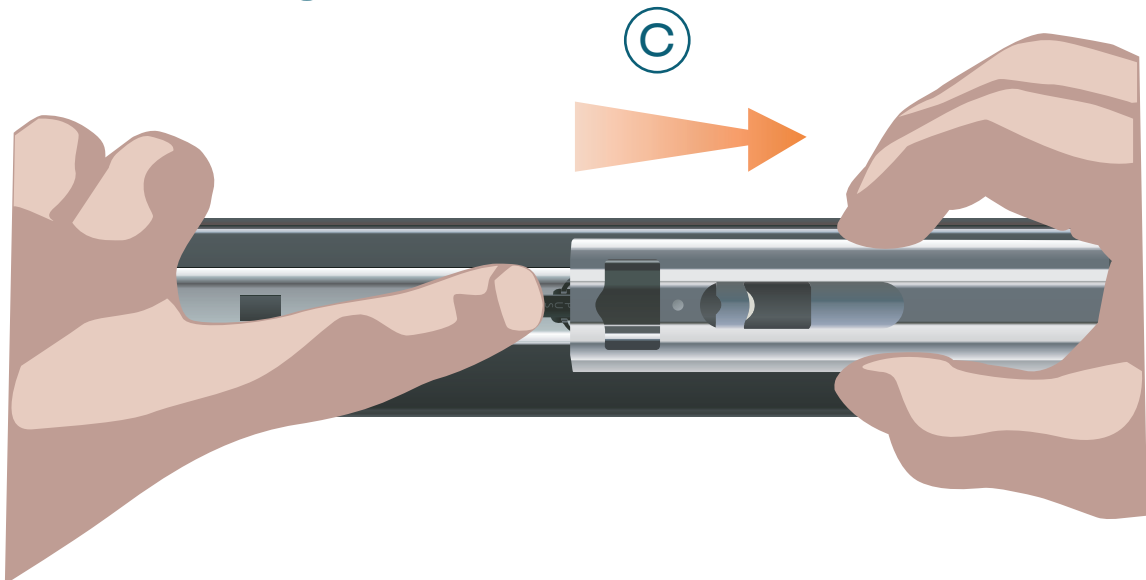
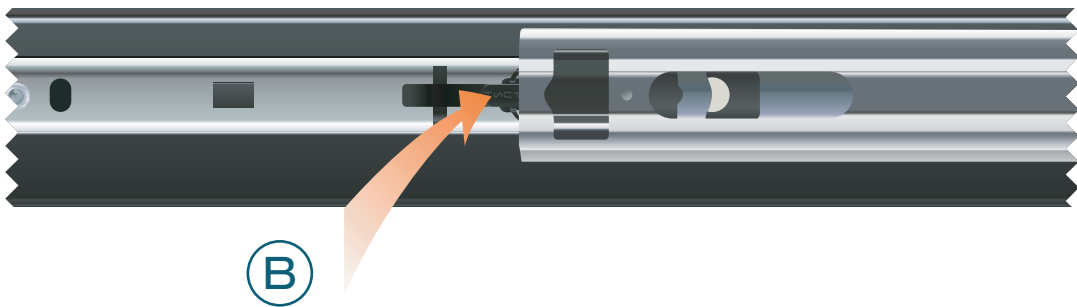
STEP 1

REMOVE TELESCOPIC RAIL FROM UNIT BY:

A, SLIDING TELESCOPIC RAIL ALL THE WAY BACK

B, RELEASE TELESCOPIC RAIL BY DEPRESSING BLACK PLASTIC CATCH

C, SLIDING TELESCOPIC RAIL ALL THE WAY OFF



Telescopic Drawer 2

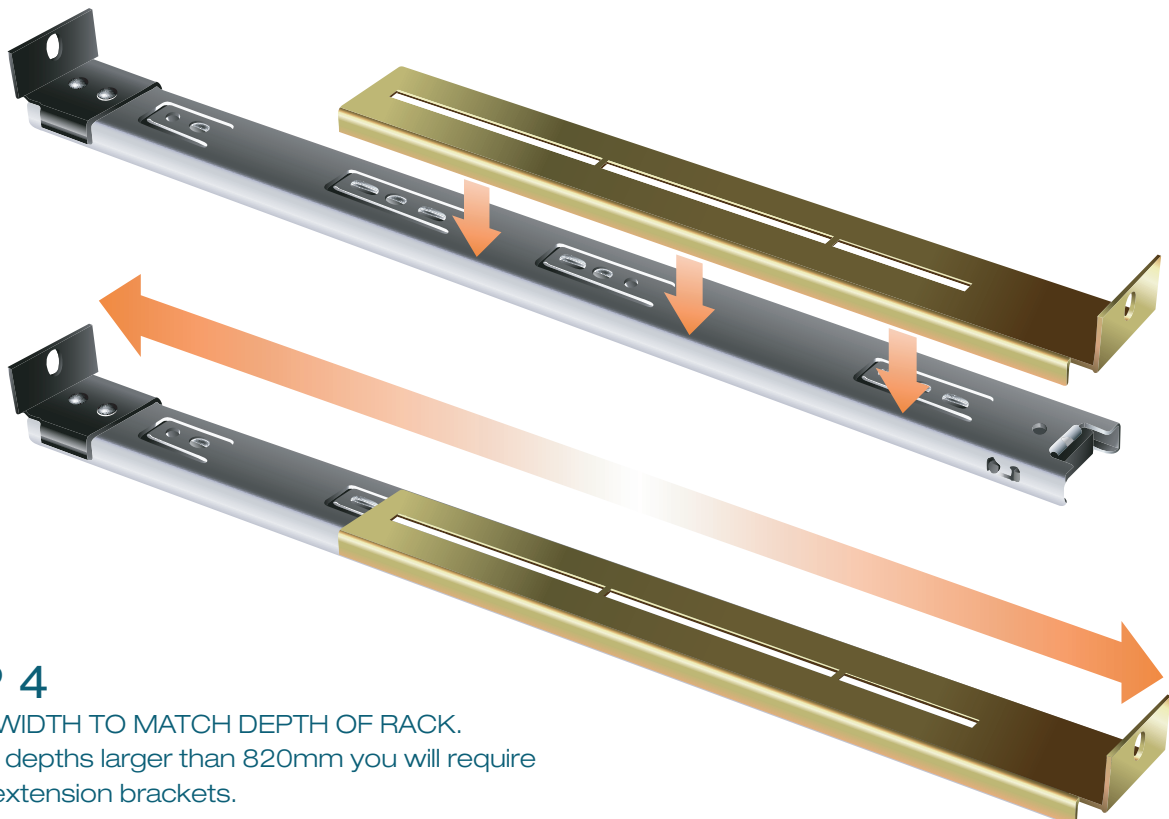
STEP 2

POSITION CAGE NUTS FACING OUTWARDS INTO CENTRE HOLE OF RU ON ALL VERTICAL MOUNTING RAILS



STEP 3

CLIP TELESCOPIC RAIL ONTO EXTENSION BRACKET



STEP 4

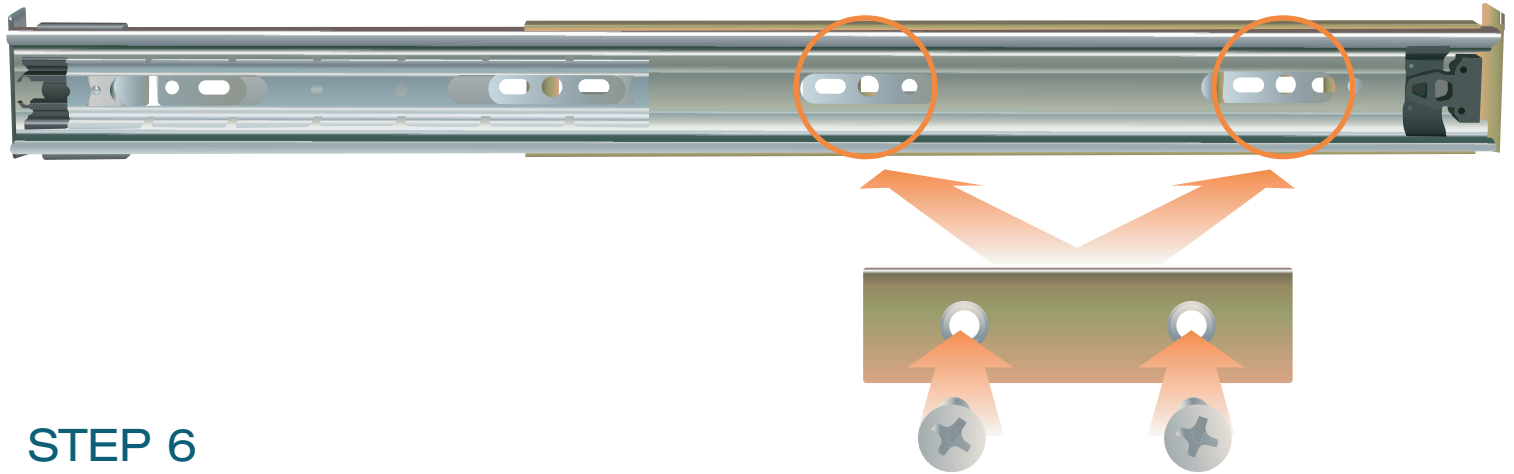
EXTEND WIDTH TO MATCH DEPTH OF RACK.

Note: For depths larger than 820mm you will require the long extension brackets.

Telescopic Drawer 3

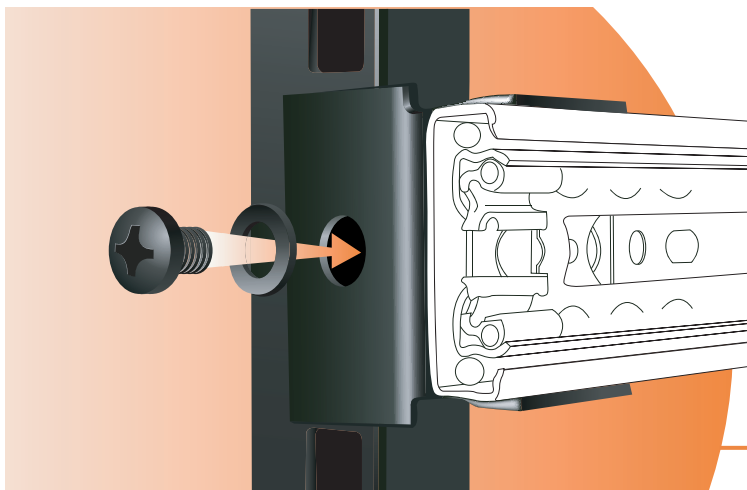
STEP 5

FIND UNOBSTRUCTED MOUNTING POINT ALONG INSIDE OF TELESCOPIC RAILS IN ONE OF THE SLOTTED POINTS ILLUSTRATED BELOW. SECURE RAIL VIA SMALL SCREWS (FROM INSIDE) TO MOUNTING BRACKET (OUTSIDE).



STEP 6

MOUNT SLIDE ASSEMBLY WITH SMALL MOUNTING BRACKET FACING FRONT OF RACK. SECURE FRONT & REAR



STEP 7

INSERT TELESCOPIC SHELF INTO TELESCOPIC RAILS FROM FRONT OF RACK. AFTER INSERTING COMPLETELY, WITHDRAW SHELF TO ENSURE IT HAS LOCKED INTO PLACE.

