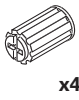


# CANTILEVER SHELF ASSEMBLY GUIDE

## REQUIRED ITEMS



x4



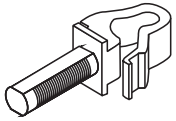
x4



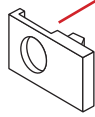
x4

## STEP 1 - FRONT RACK STUD INSTALLATION

1



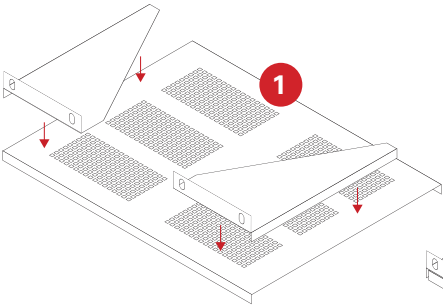
2



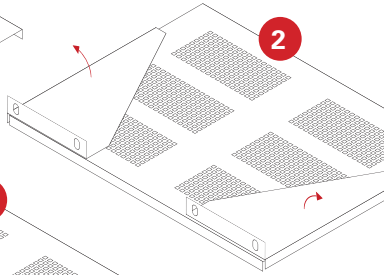
x4

## STEP 2 - SHELF ASSEMBLY

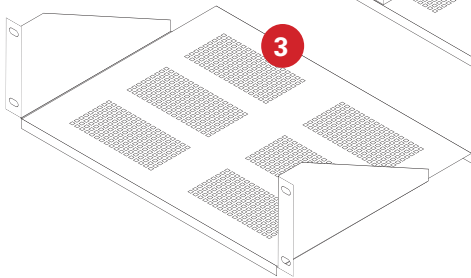
1



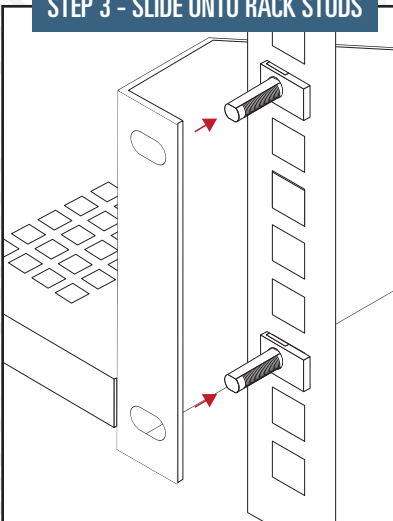
2



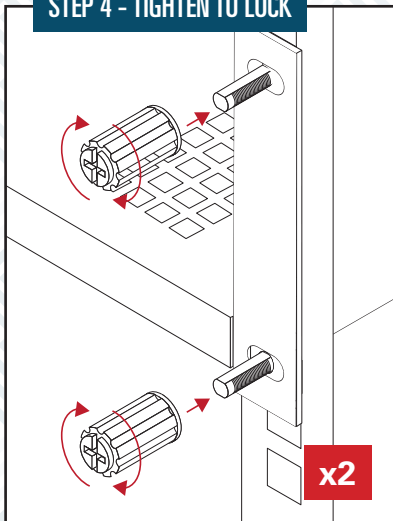
3



## STEP 3 - SLIDE ONTO RACK STUDS



## STEP 4 - TIGHTEN TO LOCK



x2

