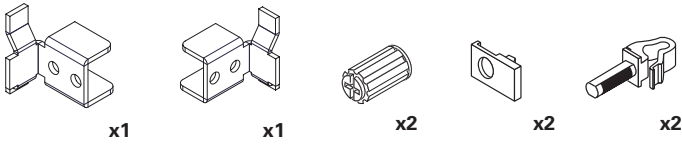
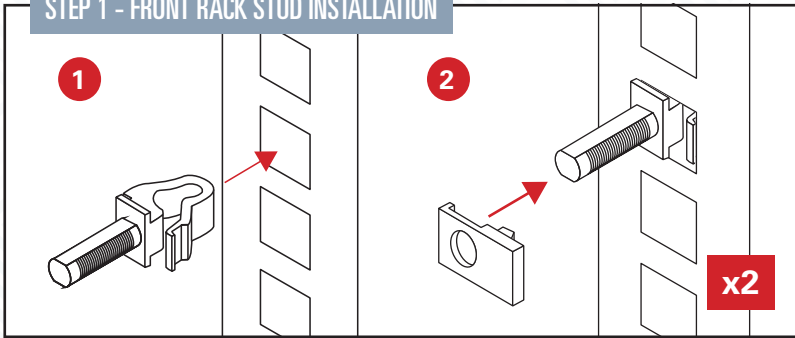


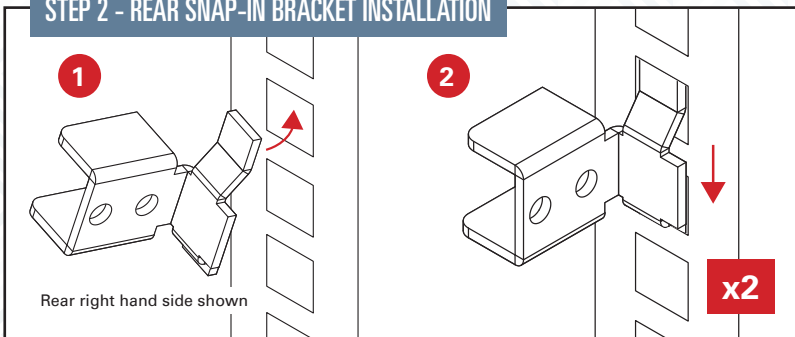
REQUIRED ITEMS



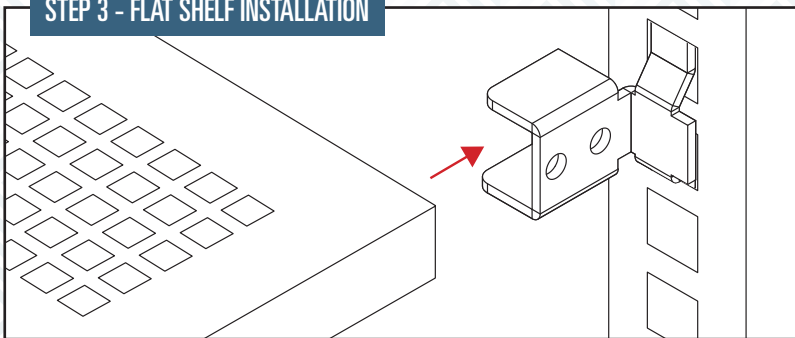
STEP 1 - FRONT RACK STUD INSTALLATION



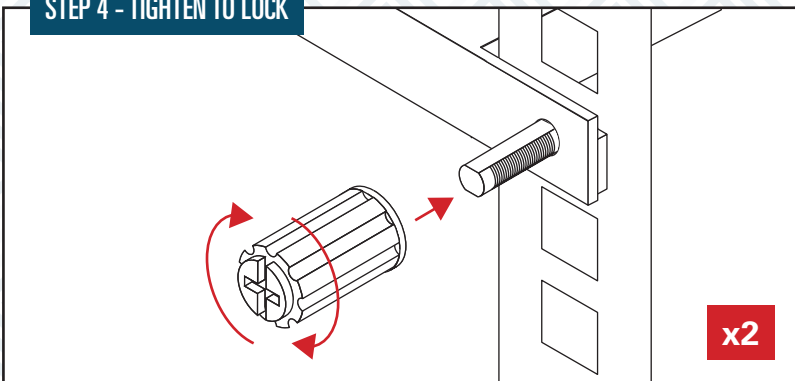
STEP 2 - REAR SNAP-IN BRACKET INSTALLATION



STEP 3 - FLAT SHELF INSTALLATION



STEP 4 - TIGHTEN TO LOCK



FLAT SHELF ASSEMBLY GUIDE

