

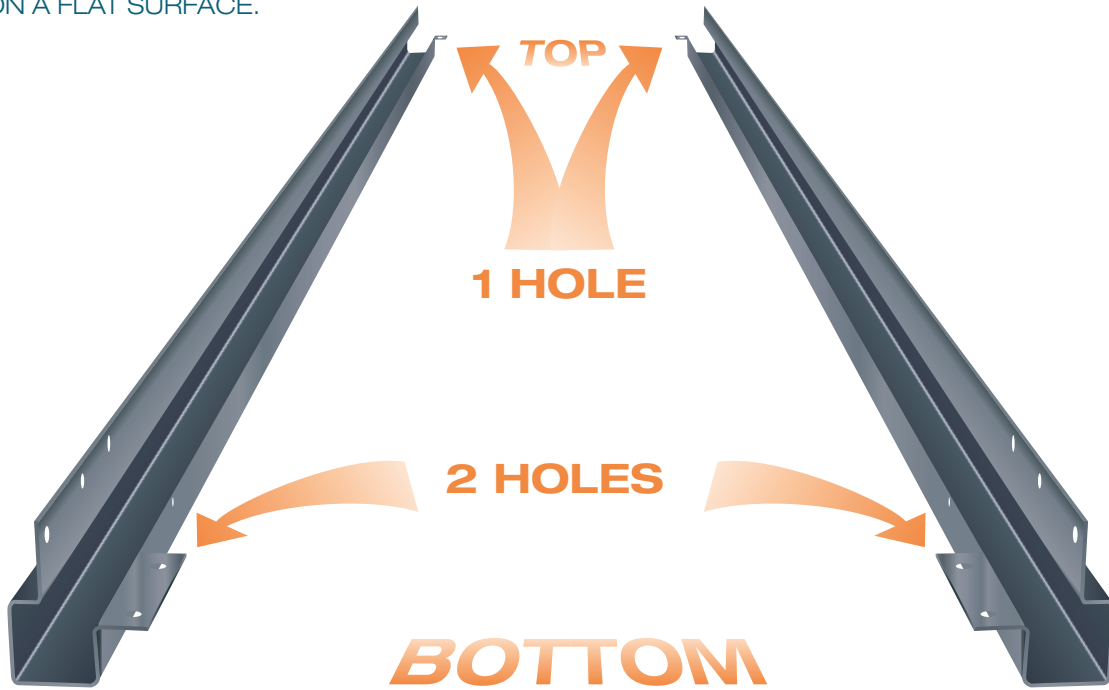
	BOLTS
	NUTS
	SCREWS
	WASHERS
	BOTTOM TRIM CLIPS
	LEVELLING FOOT BRACKET
	SELF-TAP SCREWS
	CAGE NUTS

HARDWARE LIST

# Series 2005 Cabinet 1

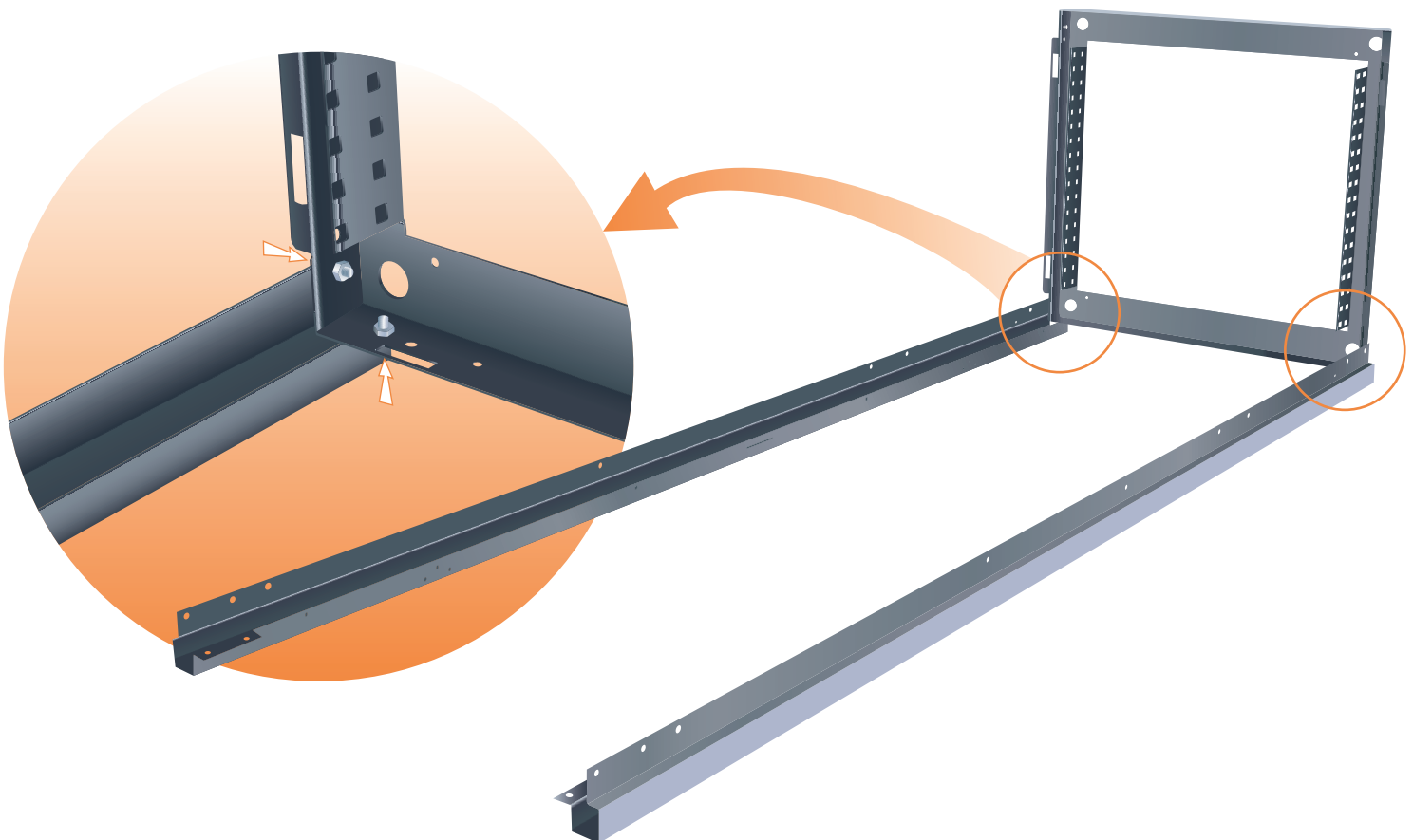
## STEP 1

LINE UP TWO COLUMNS AS SHOWN, ON A FLAT SURFACE.



## STEP 2

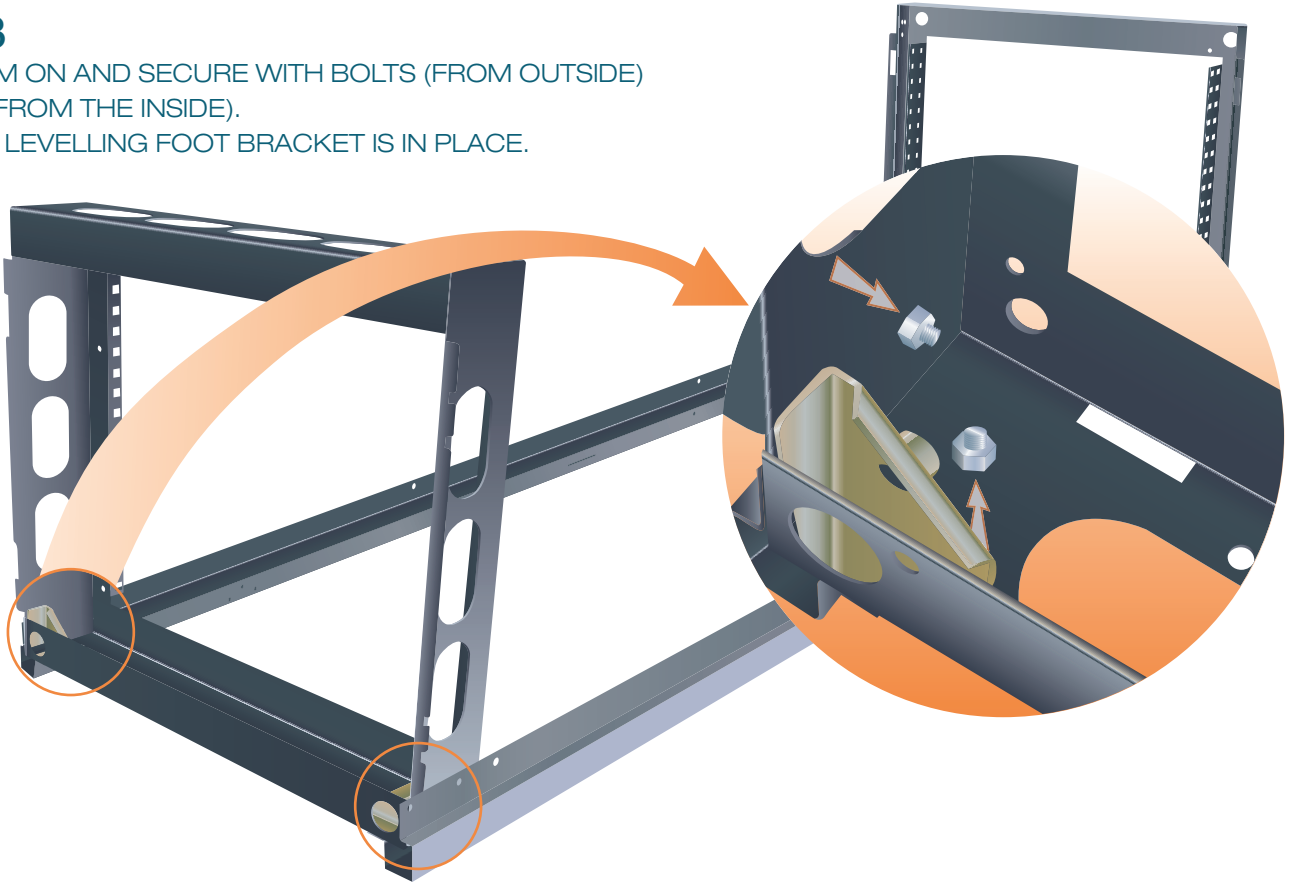
ATTACH TOP AND SCREW ON USING BOLTS (FROM OUTSIDE) AND NUTS (INSIDE).



## Series 2005 Cabinet 2

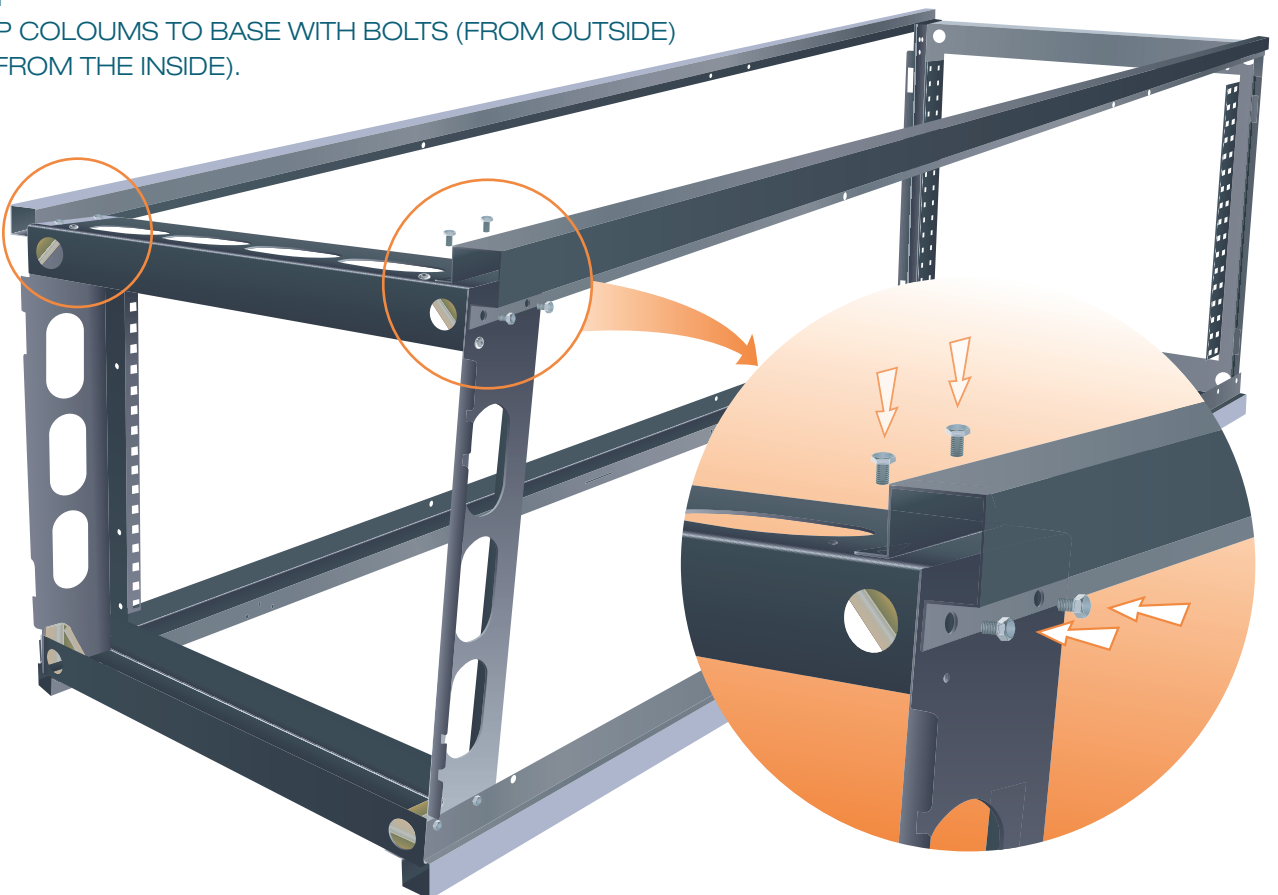
### STEP 3

PUT BOTTOM ON AND SECURE WITH BOLTS (FROM OUTSIDE) AND NUTS (FROM THE INSIDE).  
MAKE SURE LEVELLING FOOT BRACKET IS IN PLACE.



### STEP 4

SECURE TOP COLOUMS TO BASE WITH BOLTS (FROM OUTSIDE) AND NUTS (FROM THE INSIDE).



## Series 2005 Cabinet 3

### STEP 5

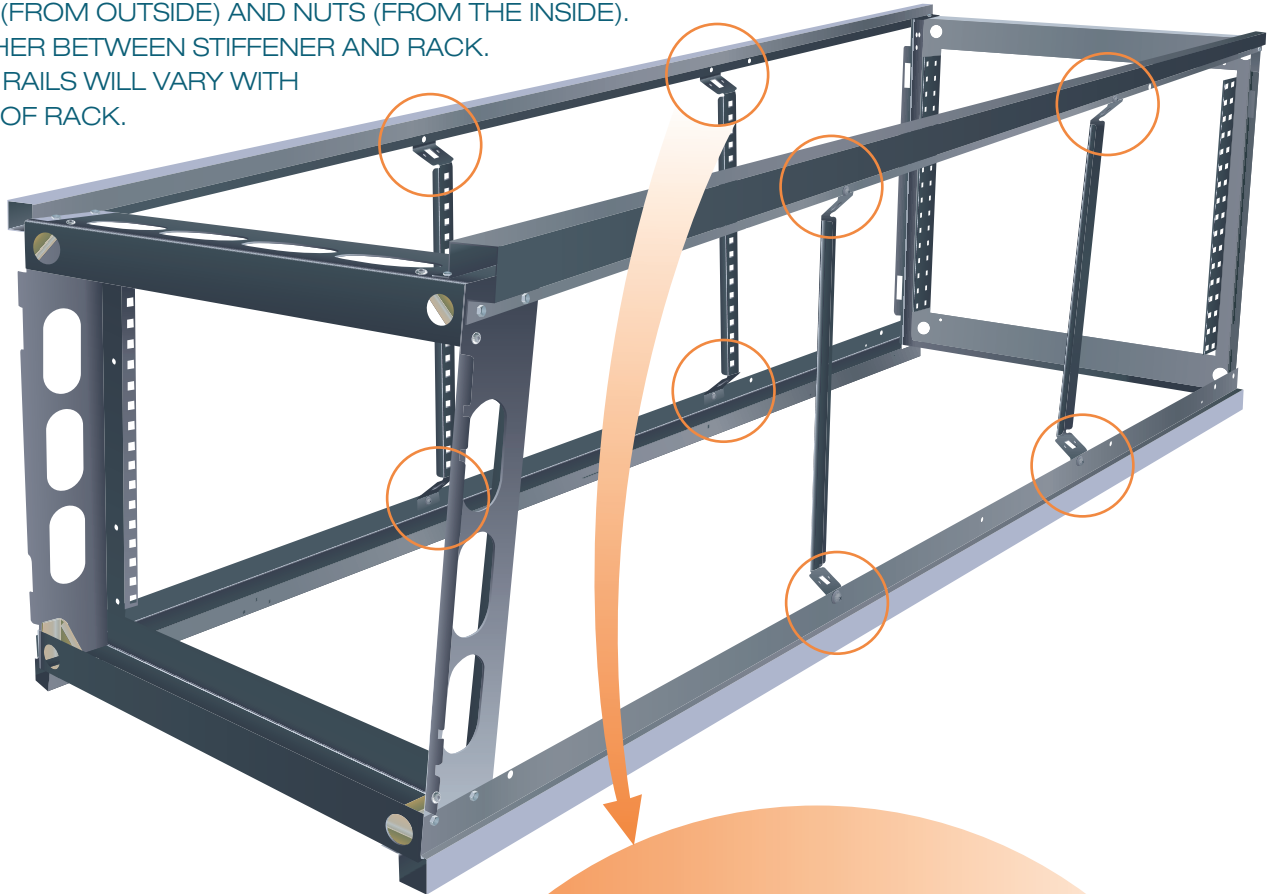
SECURE TOP COLOUMNS TO TOP WITH BOLTS (FROM OUTSIDE) AND NUTS (FROM THE INSIDE).



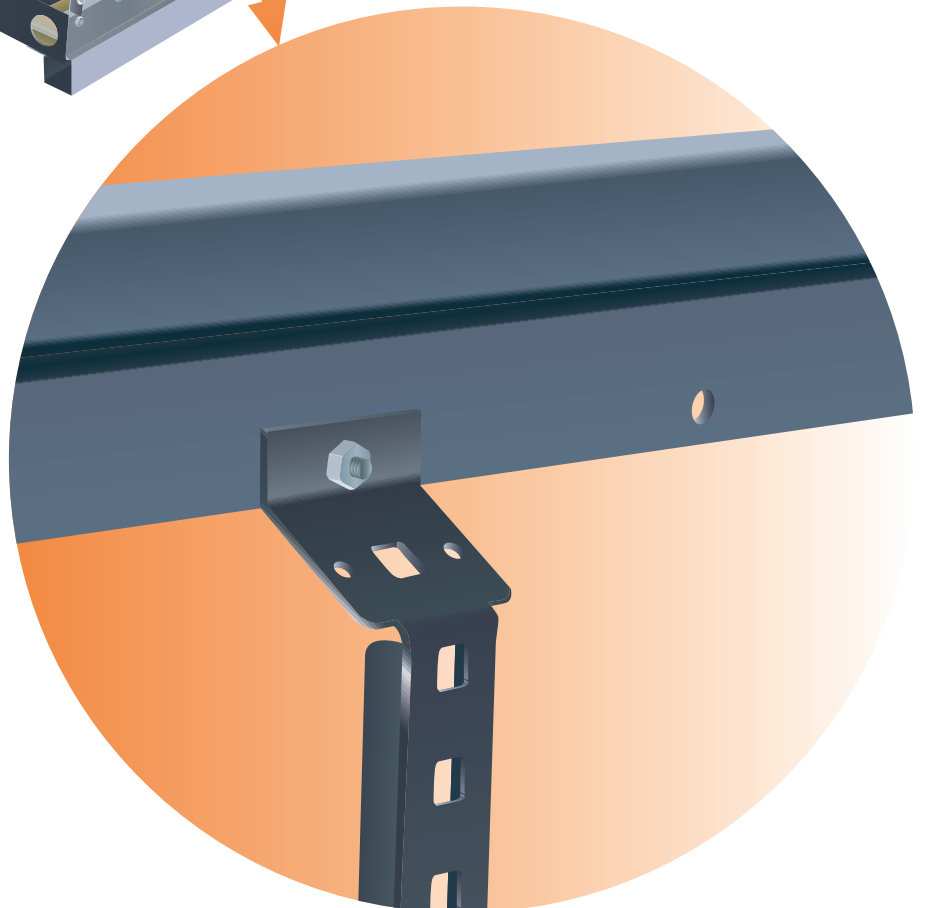
## Series 2005 Cabinet 4

### STEP 6

SECURE HORIZONTAL MOUNTING RAILS ON THE INSIDE OF COLOUMNS WITH BOLTS (FROM OUTSIDE) AND NUTS (FROM THE INSIDE). PLACE WASHER BETWEEN STIFFENER AND RACK. NUMBER OF RAILS WILL VARY WITH THE HEIGHT OF RACK.



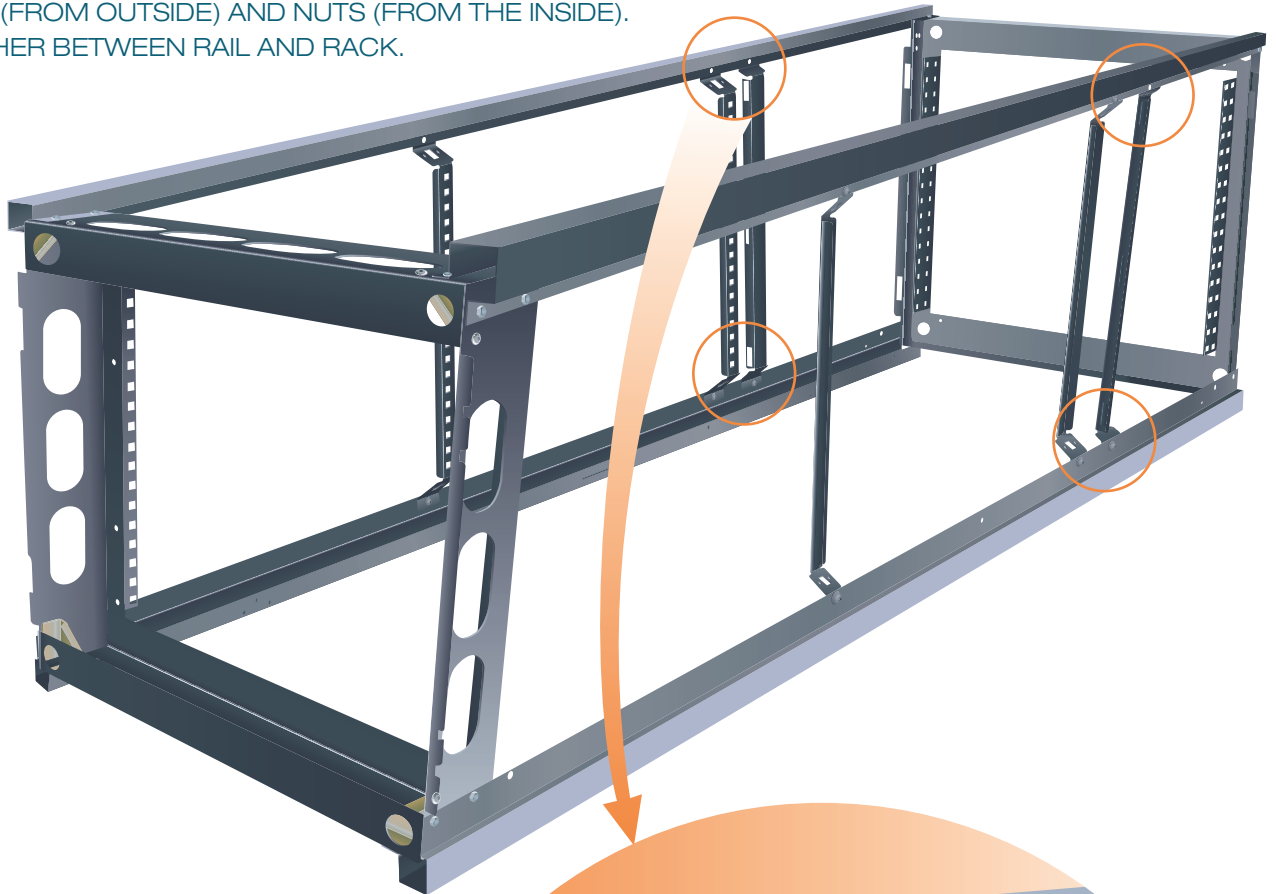
PLEASE ENSURE HORIZONTAL MOUNTING RAILS ARE ARCHING INWARDS WHEN MOUNTING.



## Series 2005 Cabinet 5

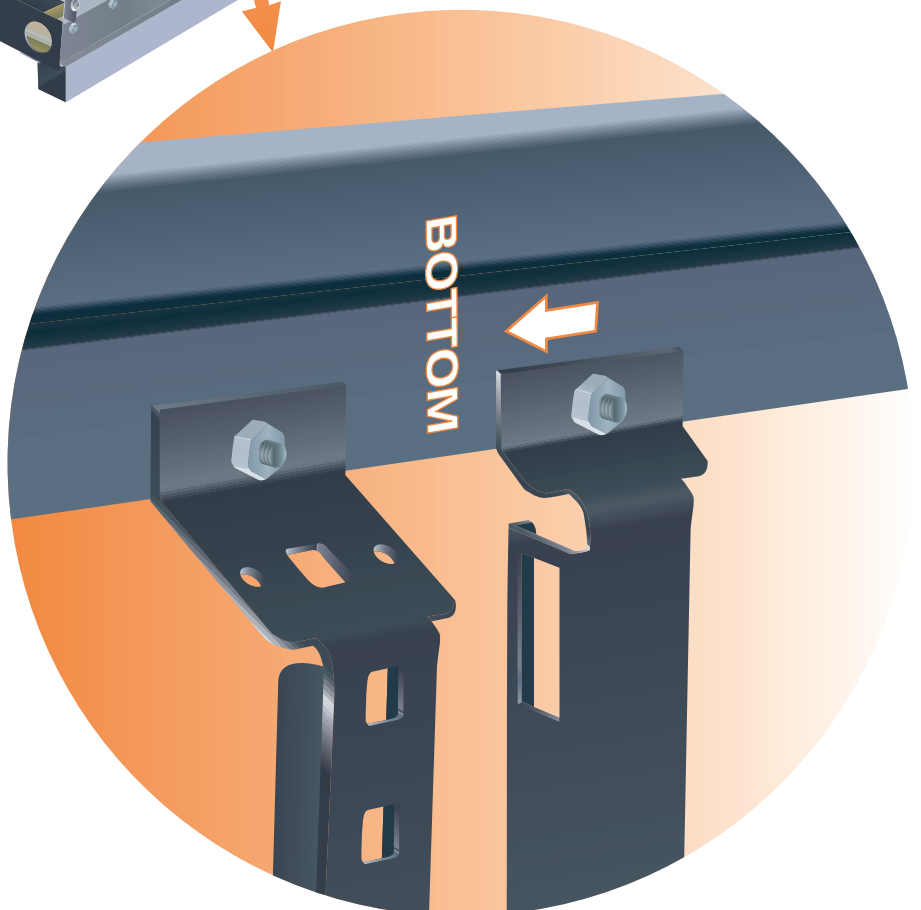
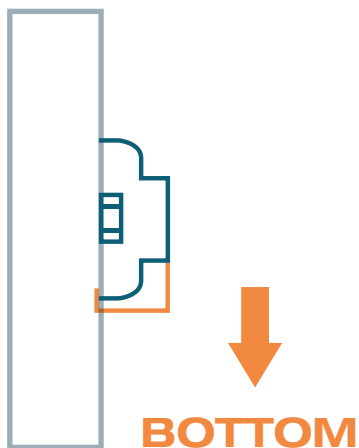
### STEP 7

SECURE SIDE PANEL MOUNTING RAIL ON THE INSIDE OF COLOUMNS WITH BOLTS (FROM OUTSIDE) AND NUTS (FROM THE INSIDE). PLACE WASHER BETWEEN RAIL AND RACK.



ENSURE MOUNTING RAILS ARE ARCHING INWARDS WHEN MOUNTING.

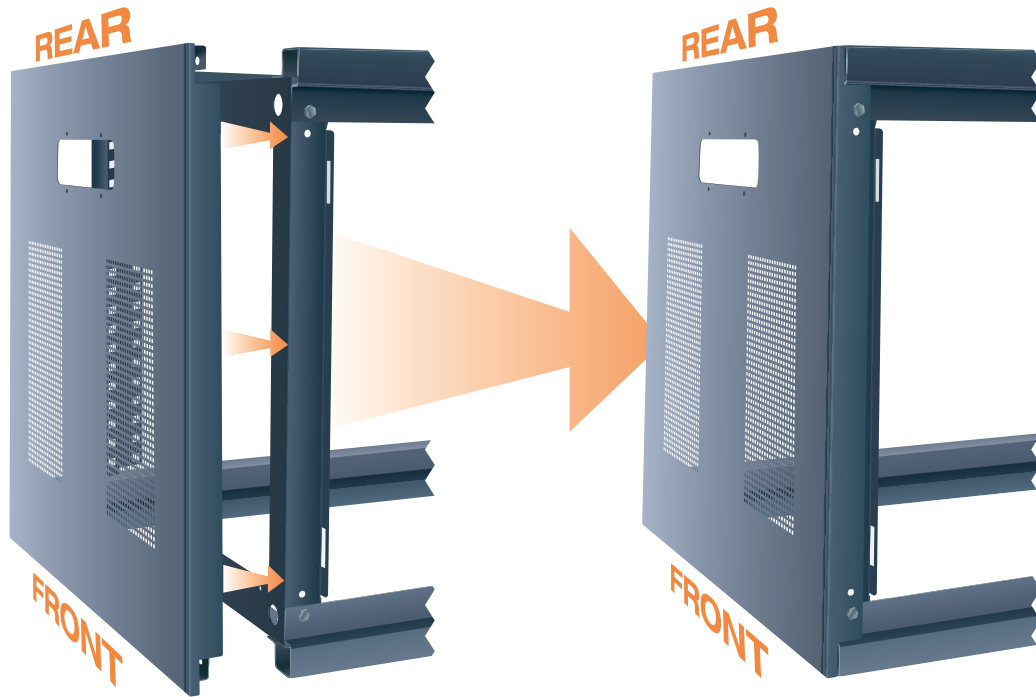
ALSO, ENSURE THE SLOTTED SIDE OF THE RAIL IS FACING TOWARDS THE BOTTOM.



## Series 2005 Cabinet 6

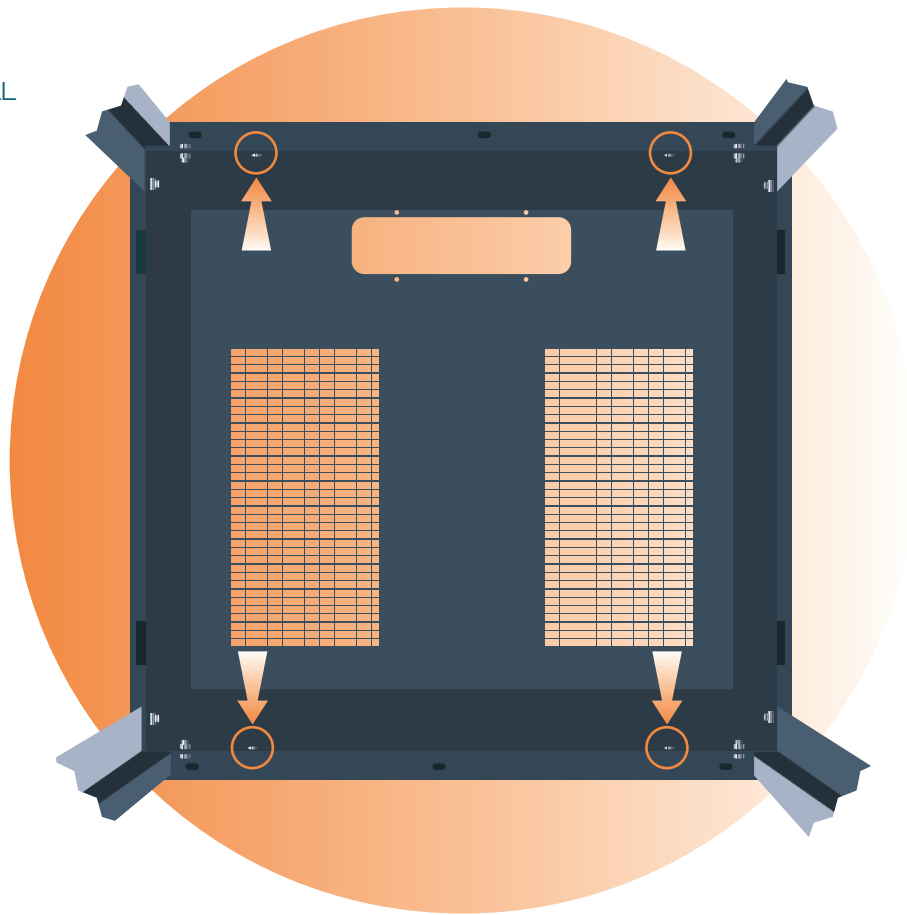
### STEP 8

SLIDE TOP PANEL ONTO TOP OF CABINET FRAME,  
ENSURING GLAND PLATE IS POSITIONED AT REAR, NOT SIDES.



### STEP 9

SECURE THE TOP PANEL  
ONTO THE FRAME FROM  
THE INSIDE WITH THE SMALL  
SELF-TAP SCREWS.



## Series 2005 Cabinet 7

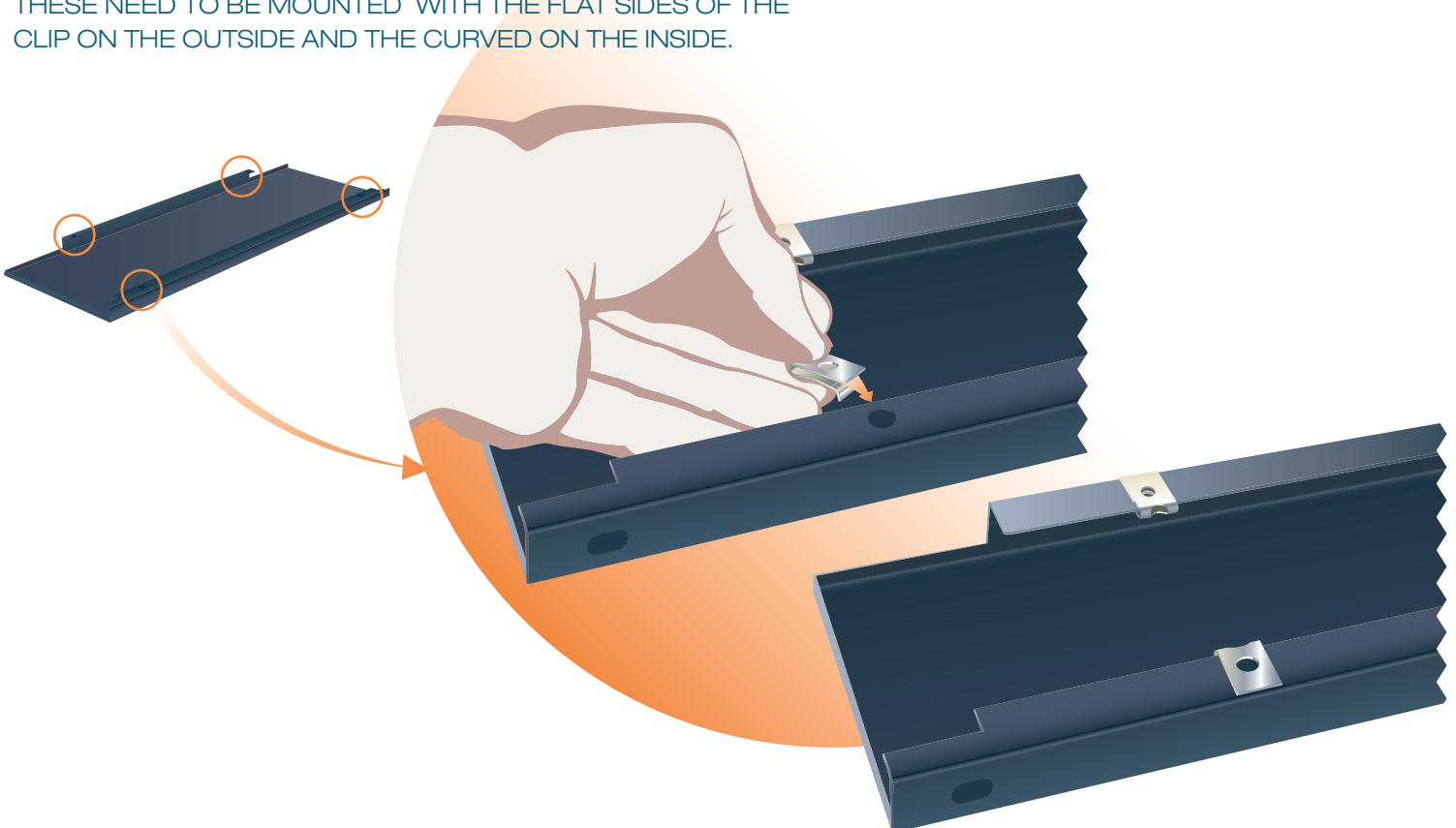
### STEP 10

ATTACH GLAND PLATE TO THE OUTSIDE OF THE TOP PANEL, USING THE SMALL BLACK SELF-TAP SCREWS.



### STEP 11

PREPARE BASE TRIMS FOR MOUNTING ON BASE OF CABINET. THERE ARE FOUR CLIPS FOR EACH OF THE TWO BASE TRIMS. THESE NEED TO BE MOUNTED WITH THE FLAT SIDES OF THE CLIP ON THE OUTSIDE AND THE CURVED ON THE INSIDE.

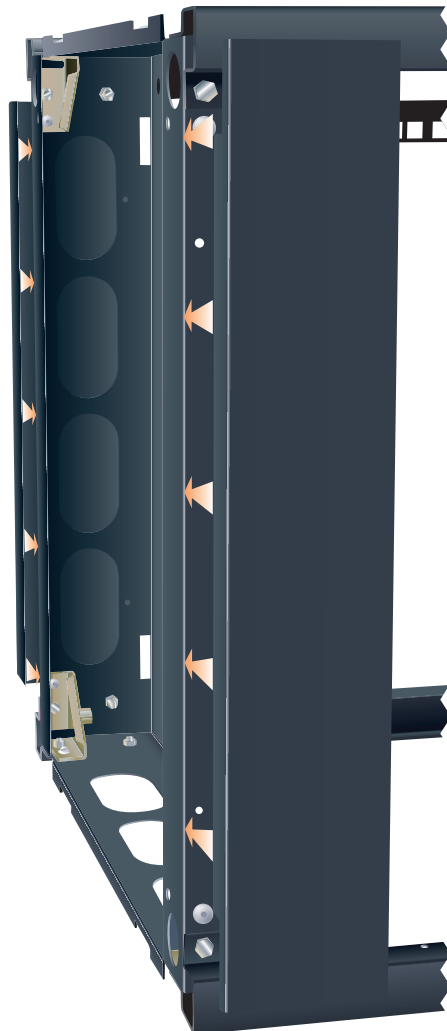
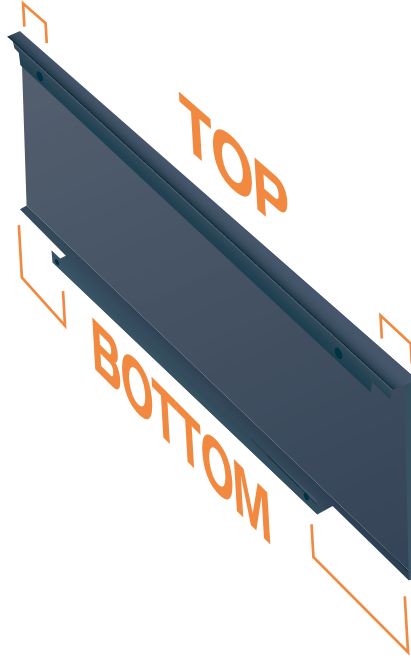


## Series 2005 Cabinet 8

### STEP 12

ROTATE THE RACK 90°  
SO ITS LAYING ON ITS SIDE.  
ATTACH BASE TRIMS TO THE  
FRONT & REAR OF CABINET BASE.

THE BASE OF THE TRIMS  
ARE THE EDGES WITH THE  
LARGER GAP, AND NEED TO  
GO ON THE BOTTOM.



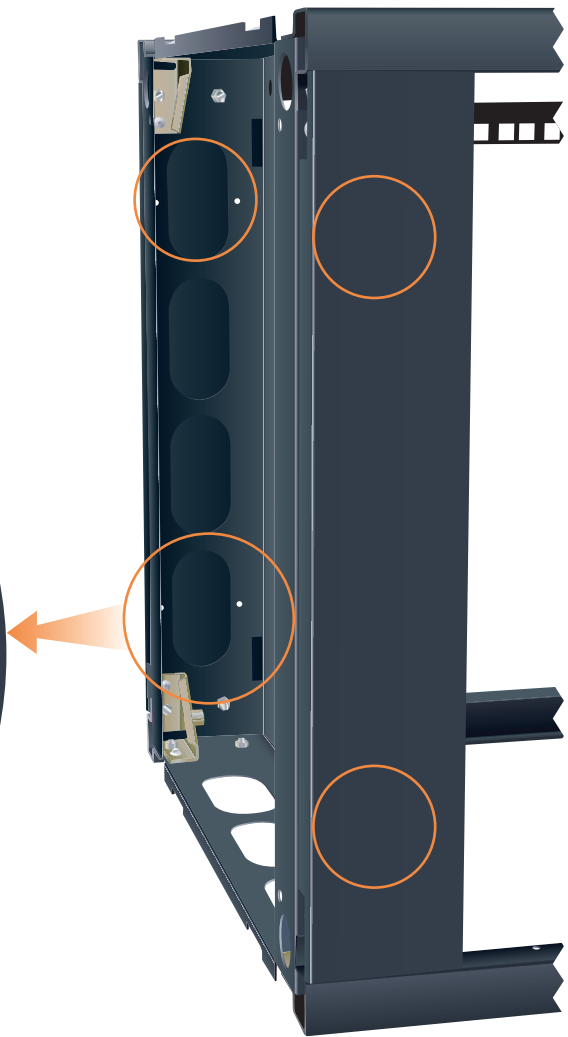




# Series 2005 Cabinet 9

## STEP 13

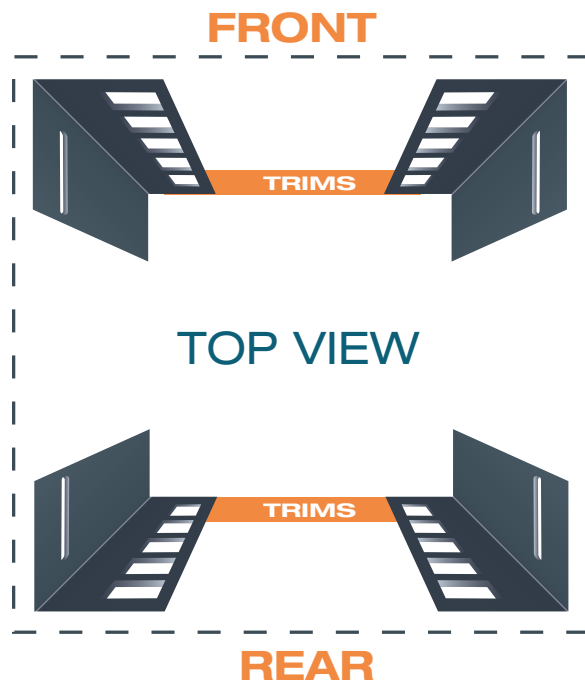
SCREW TRIMS TO CABINET BASE, WITH SELF-TAP SCREWS FROM INSIDE.



## STEP 14

MOVE RACK INTO UPRIGHT POSITION.

POSITION VERTICAL MOUNTING RAILS INTO RACK. ENSURE FACES WITH RU MOUNTING HOLES ARE FACING THE FRONT AND REAR OF THE RACK.

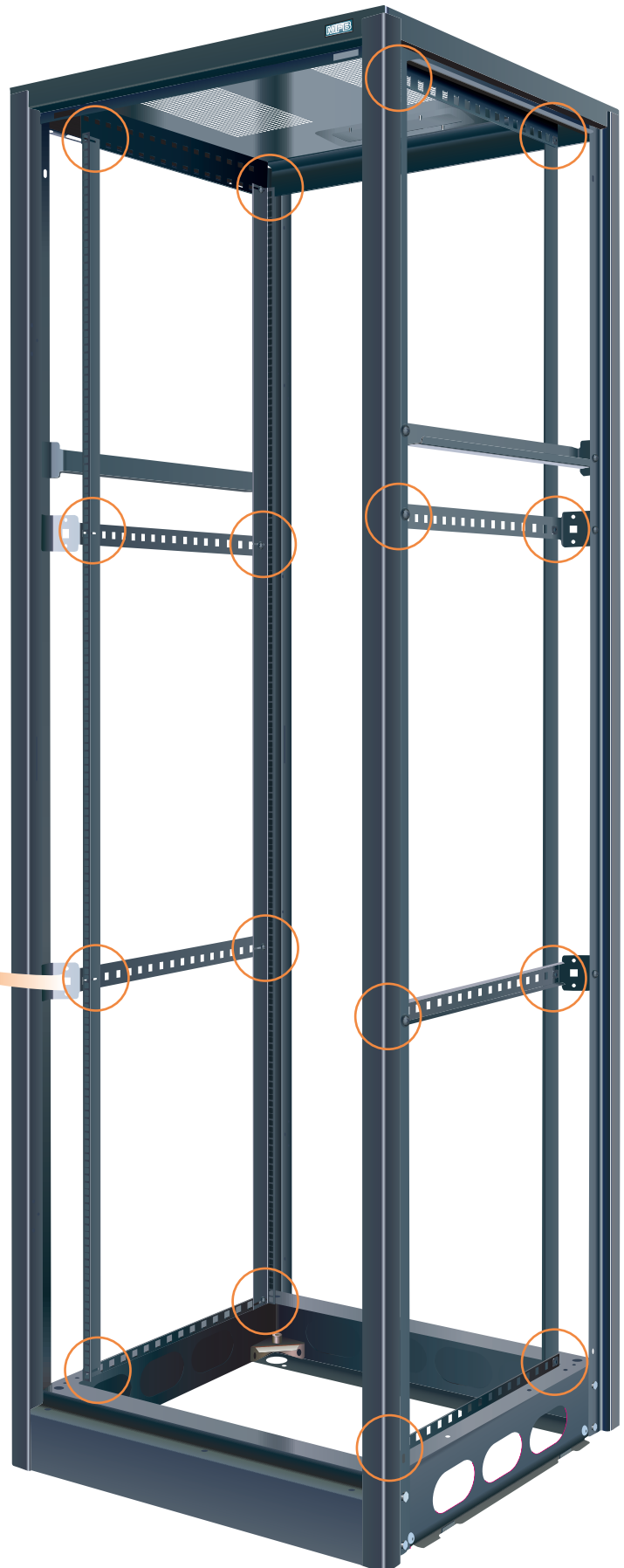


# Series 2005 Cabinet 10

## STEP 15

POSITION CAGE NUTS AT APPROPRIATE INTERVALS ON THE HORIZONTAL MOUNTING RAILS LOCATED AT THE TOP AND BOTTOM OF THE RACK, AS WELL AS AT VARIOUS POINTS ON HORIZONTAL STIFFENERS.

CAGE NUTS SHOULD BE POSITIONED FROM THE OUTSIDE FACING IN, AND THE SCREW TO MOUNT THE VERTICAL RAIL ONTO THE RACK NEEDS TO BE INSERTED FROM THE INSIDE.



# Series 2005 Cabinet 11

## STEP 16

INSERT SIDE PANELS BY:

A, SLIDING INTO POSITION IN BASE, THEN  
B, PIVOTING PANEL INTO PLACE.



# Series 2005 Cabinet 12

## STEP 17

HANG DOORS BY ALIGNING BOTH HINGES ON THE DOOR WITH THE HINGES ON THE FRONT OF THE CABINET FRAME, LOWERING THE DOOR ONTO BOTH HINGES SIMULTANEOUSLY.

