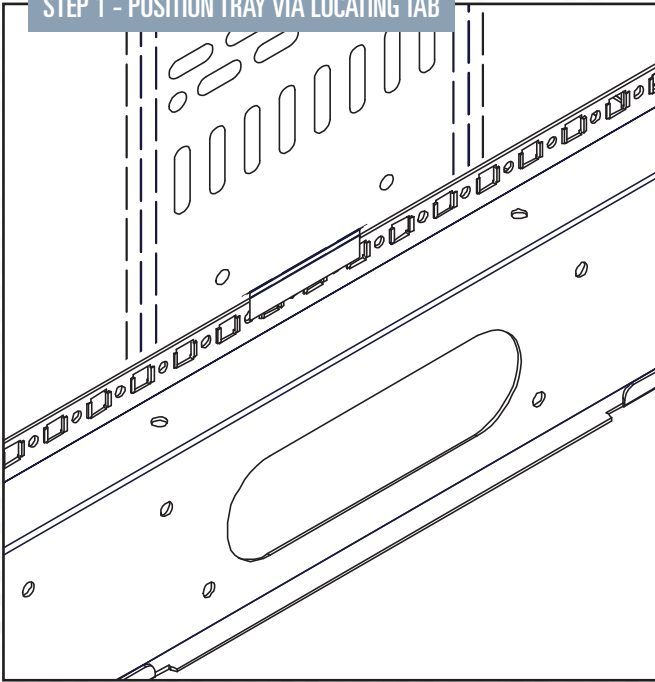


REQUIRED ITEMS

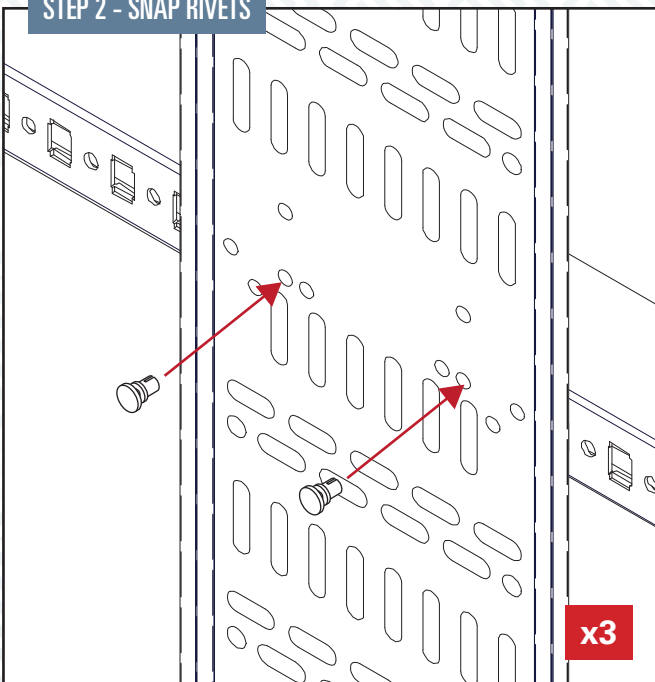


x6

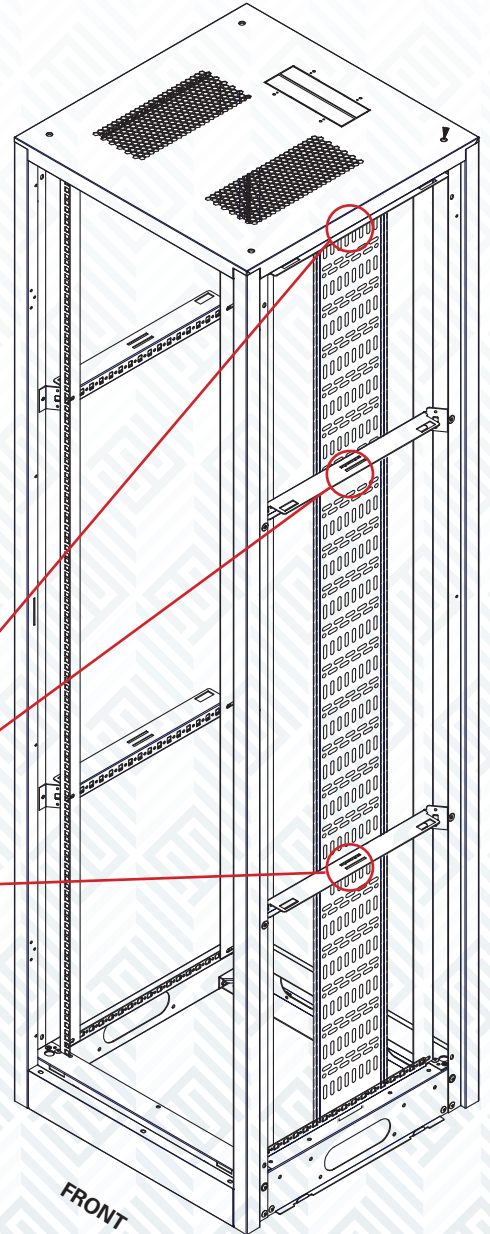
STEP 1 - POSITION TRAY VIA LOCATING TAB



STEP 2 - SNAP RIVETS



VERTICAL CABLE TRAY INSTALLATION GUIDE



*Note: Cable Tray can be installed on either side of the rack