



- 1 THIS PRODUCT IS WARRANTED FOR 12 MONTHS FROM THE DATE OF PURCHASE.**
Subject to the conditions of this warranty, the Customer Care Centre will perform necessary service on the product without charge for parts, or labour if, in the opinion of the manufacturer/ manufacturer's agent, the product is found to be faulty within the warranty period.
- 2** This warranty only applies if the product has been installed and used in accordance with the manufacturer's recommendations (as noted in the operating instructions) under normal use and reasonable care. The warranty covers normal domestic use only and does not cover damage, malfunction or failure resulting from use of incorrect voltage, accident, misuse, neglect, build-up of dirt or dust, abuse, mis-adjustment of customer controls, mains supply problems, thunderstorm activity, infestation by insects or vermin, tampering or repair by unauthorised persons (including unauthorised alterations), exposure to abnormally corrosive conditions or any foreign object or matter having entered the product.
- 3** If warranty service is required you should:
 - Telephone the Customer Care Centre on 1300 662 946
 - Provide a copy of your purchase receipt that shows retailer's identity and date of purchase.
 - Send or bring the product to your Customer Care Centre.
Please note that freight to and/or from your Customer Care Centre must be arranged by you.
- 4** The warranties hereby conferred do not extend to any costs associated with the delivery, handling, freighting or transportation of the product or any part thereof or replacement of and do not extend to any damage or loss occurring during, or associated with transit.

**THIS WARRANTY CARD AND THE PURCHASE DOCKET
(OR SIMILAR PROOF OF PURCHASE)
SHOULD BE RETAINED BY THE CUSTOMER AT ALL TIMES**

**TROUBLE SHOOTING HELP LINE
1300 662 946**

Customer Care Centre
562 Spencer Street, West Melbourne
VICTORIA 3003

Pro.2
Providing AV Solutions

This advice does not limit, override or later your guaranteed rights under the Australian Consumer Law, including remedies for any failure of the Consumer Guarantees, which may include repair or replacement or if a Major Failure (as defined under the Australian Consumer Law) a replacement or refund. These guaranteed rights cannot be varied by Pro.2 or retailers of its products and have no set time limit.

Pro.2

50M HDMI+USB KVM Extender

Model: HDMIKVMV3

OPERATION MANUAL



1. INTRODUCTION

This Model allows HDMI signals to be transmitted over a Single CAT5e/6 cable . It can extend 1080p@60Hz over single Cat5e/6. The transmit distance up to 100m over single Cat5e/6 cable, and 50m over single Cat5e/6 cable under USB mode. It supports PCM2.0 and USB2.0 pass through.

2. APPLICATIONS

- Household entertainment sharing and control
- Lecture room display and control
- Meeting room presentation and control
- Classroom display and control

3. PACKAGE CONTENTS

- ① Main Unit: HDMI Extender(Transmitter& Receiver)
- ② 1x Power Adapter DC 12V
- ③ 1x USB 2.0 AM to BM Cable
- ④ 1x User's Manual

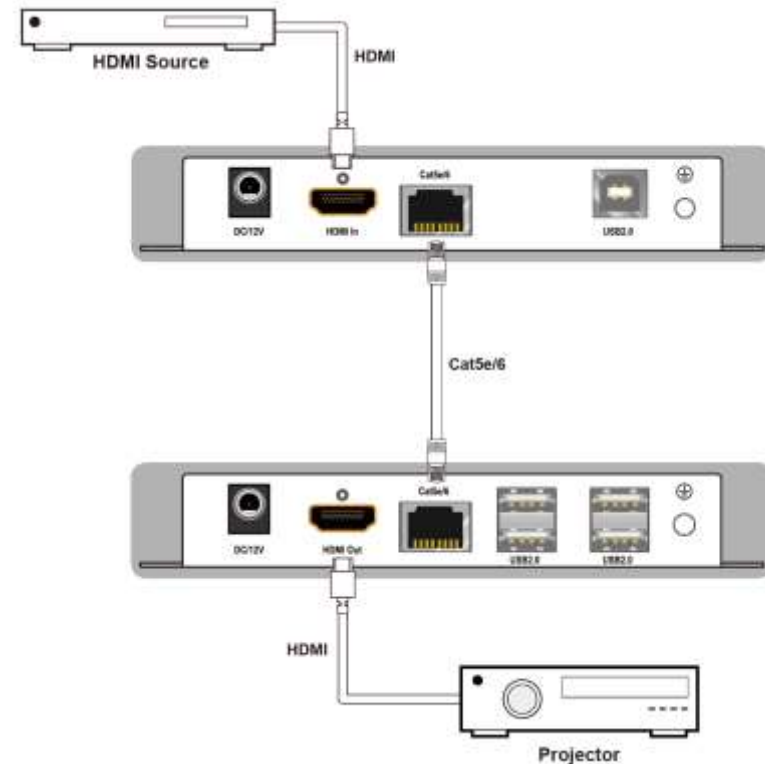
4. SYSTEM REQUIREMENTS

Input HDMI source equipment such as DVD/Blu-ray player PC and HDMI equipped output display (TV or monitor).

Application 2:

Point to point configuration:

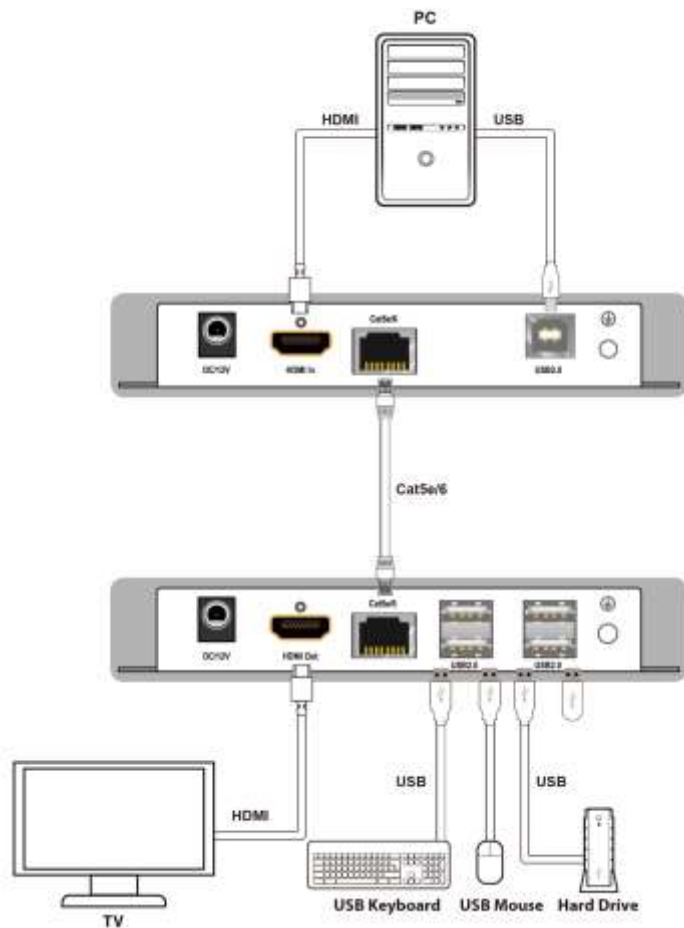
1. Connect one HDMI Cable between the HDMI output port of source device and the HDMI input port of Transmitter unit
2. Connect one Cat5e/6 or better cable between the Transmitter and Receiver
3. Connect one HDMI cable between the HDMI Input of the display device and the HDMI Output port of the Receiver unit
4. Connect 12V DC power supply at Transmitter / Receiver.



8. CONNECTION DIAGRAM

Application 1: KVM

1. Connect one HDMI Cable between the HDMI output port of source device and the HDMI input port of Transmitter unit
2. Connect one UTP Cat5e or better cable between the RJ45 port of Transmitter unit and RJ45 port of Receiver unit.
3. Connect one HDMI Cable between the HDMI input port of display and the HDMI output port of Receiver unit.
4. Connect the PC to the transmitter by USB AM-USB BM cable.
5. Connect keyboard, mouse to the receiver.
6. Connect 12V DC power supply at Transmitter / Receiver.



5. Features

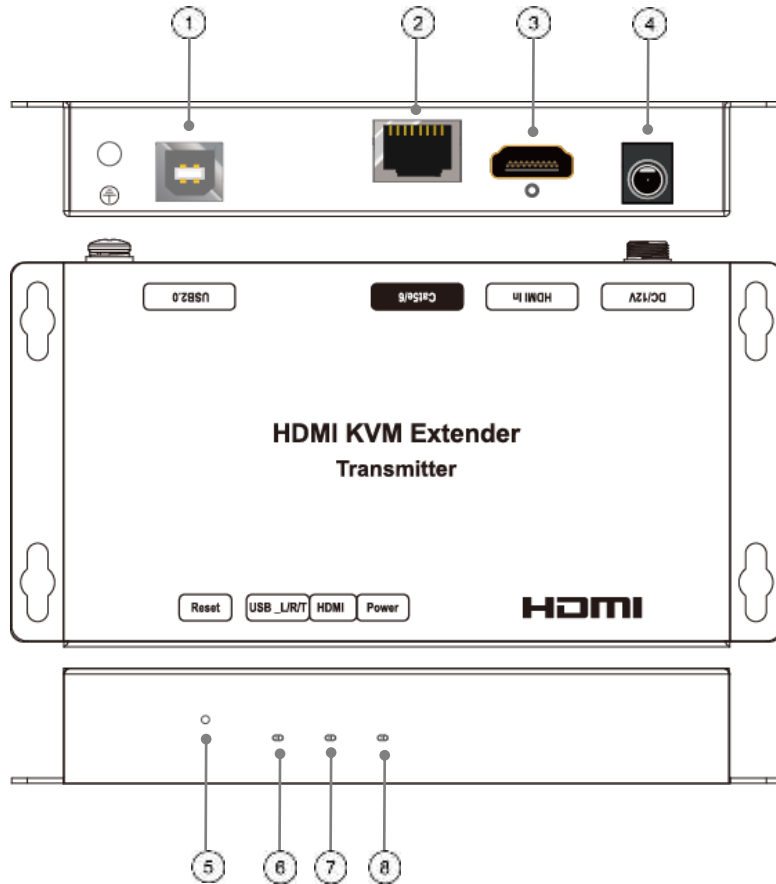
- Each set includes one transmitter and one receiver
- Transmit distance up to 100m over single Cat5e/6 cable under Non-USB mode
- Transmit distance up to 50m over single Cat5e/6 cable under USB Mode
- USB 2.0 pass through
- Support Full HD 1080P@60Hz, and bandwidth 1.65Gbps.
- Support Dual POC(RX powered by TX or TX powered by RX)
- HDCP1.4 compliant
- Support PCM2.0, audio sampling rate: 44KHz, 48KHz.
- Power Supply DC12V

6. Specifications

Operating Temperature Range	-10 to +45°C(14 to +113°F)
Storage Temperature Range	-15 to +70°C(5 to +158°F)
Operating Humidity Range	5 to 90%RH (No Condensation)
Support Video Format	DTV/HDTV: 480P/576P/720P/1080P VESA:640x480, 800x600, 1024x768, 1280x1024, 1680x1050, 1280x720, 1360x768
Connector on Transmitter	1x HDMI Input , 1x USB B Type 1xRJ45 Output
Connector on Receiver	1xRJ45 Input 1x HDMI Output, 4x USB A Type
Transmission Distance	100m (Max) over single Cat5e/6 /24AWG/Solid under Non-USB Mode 50m(Max) over Single Cat5e/6 /24AWG/Solid under USB Mode
USB Transmit speed	480M bit/s (Max)
Power consumption	4.8W(Max)
Dimension (L×W×H)	L147.5 x W73.6 x H22 mm
Net Weight	Transmitter:257.5g ; Receiver:257.5g

7. OPERATION CONTROLS AND FUNCTIONS

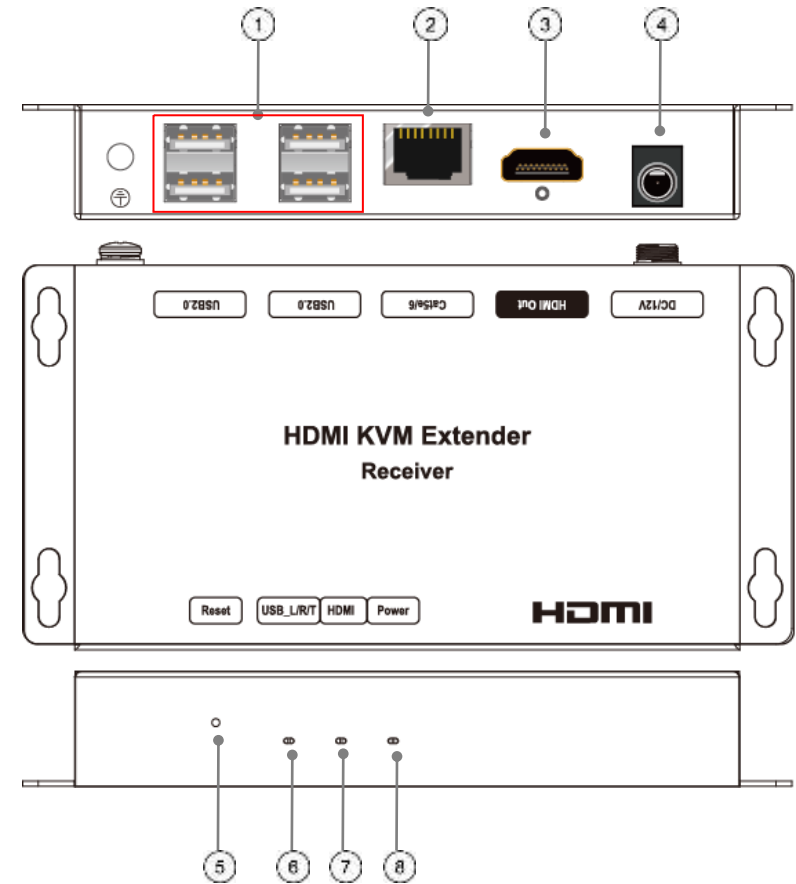
7.1 Transmitter Front and Rear Panels



- ① USB Type B port
- ② Cat5e/6 output port
- ③ HDMI input port
- ④ Power input port
- ⑤ Reset key
- ⑥ Indicator of USB input
- ⑦ Indicator of HDMI input
- ⑧ Indicator of power

⚠ Reset: If you want to reset the HDMI Input, press the Reset button 3s. If the TV black, which means it is effective.

7.2 Receiver Front and Rear Panels



- ① USB Type A port
- ② Cat5e/6 input port
- ③ HDMI output port
- ④ Power input port
- ⑤ Reset key
- ⑥ Indicator of USB output
- ⑦ Indicator of HDMI output
- ⑧ Indicator of power