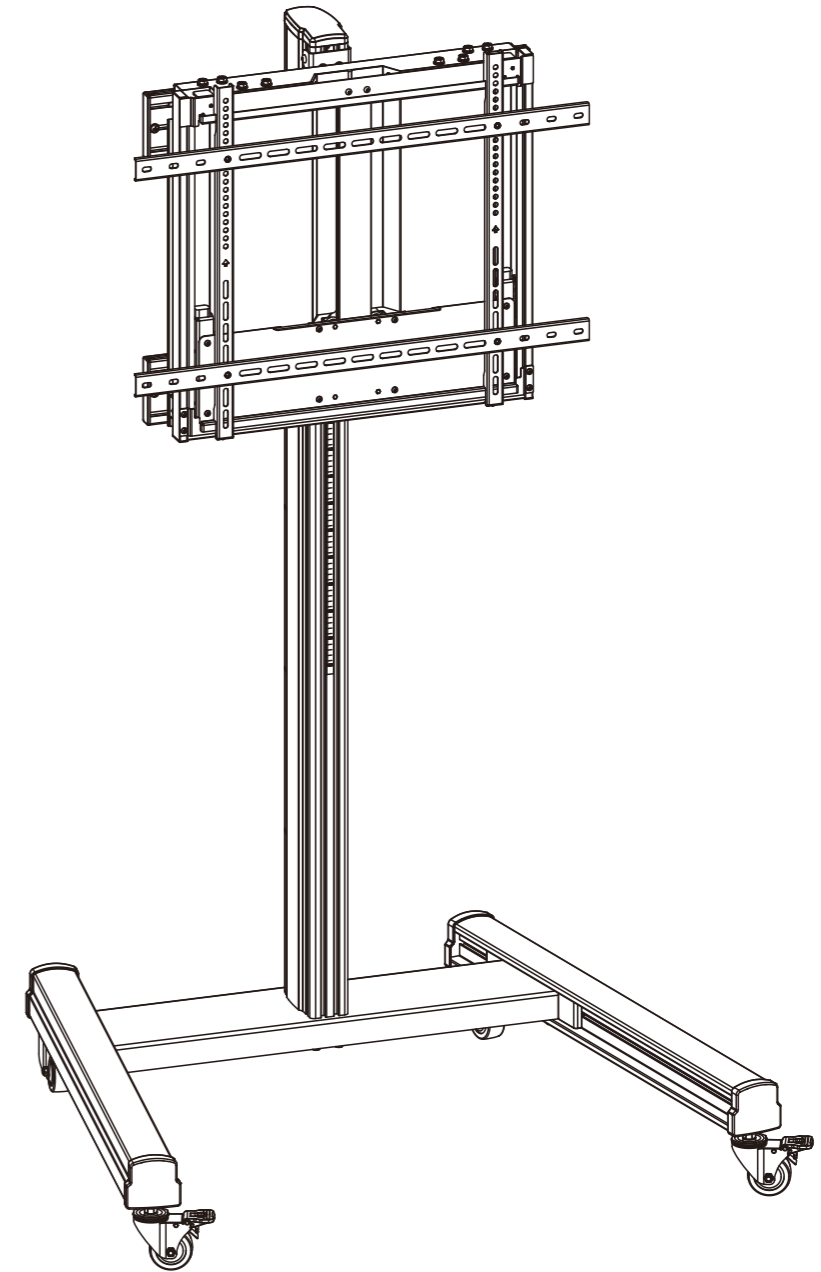


Height Adjustable TV Cart



INSTALLATION MANUAL

QTF09H-60FW



200x200/300x200/300x300
400x200/400x300/400x400
600x400/800x400/800x600



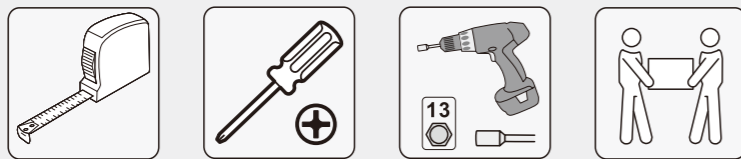
40~60kg/88~132lbs

Read the entire instruction manual before you start installation and assembly. If you have any questions regarding any of the instructions or warnings, please contact your local distributor for assistance.

CAUTION

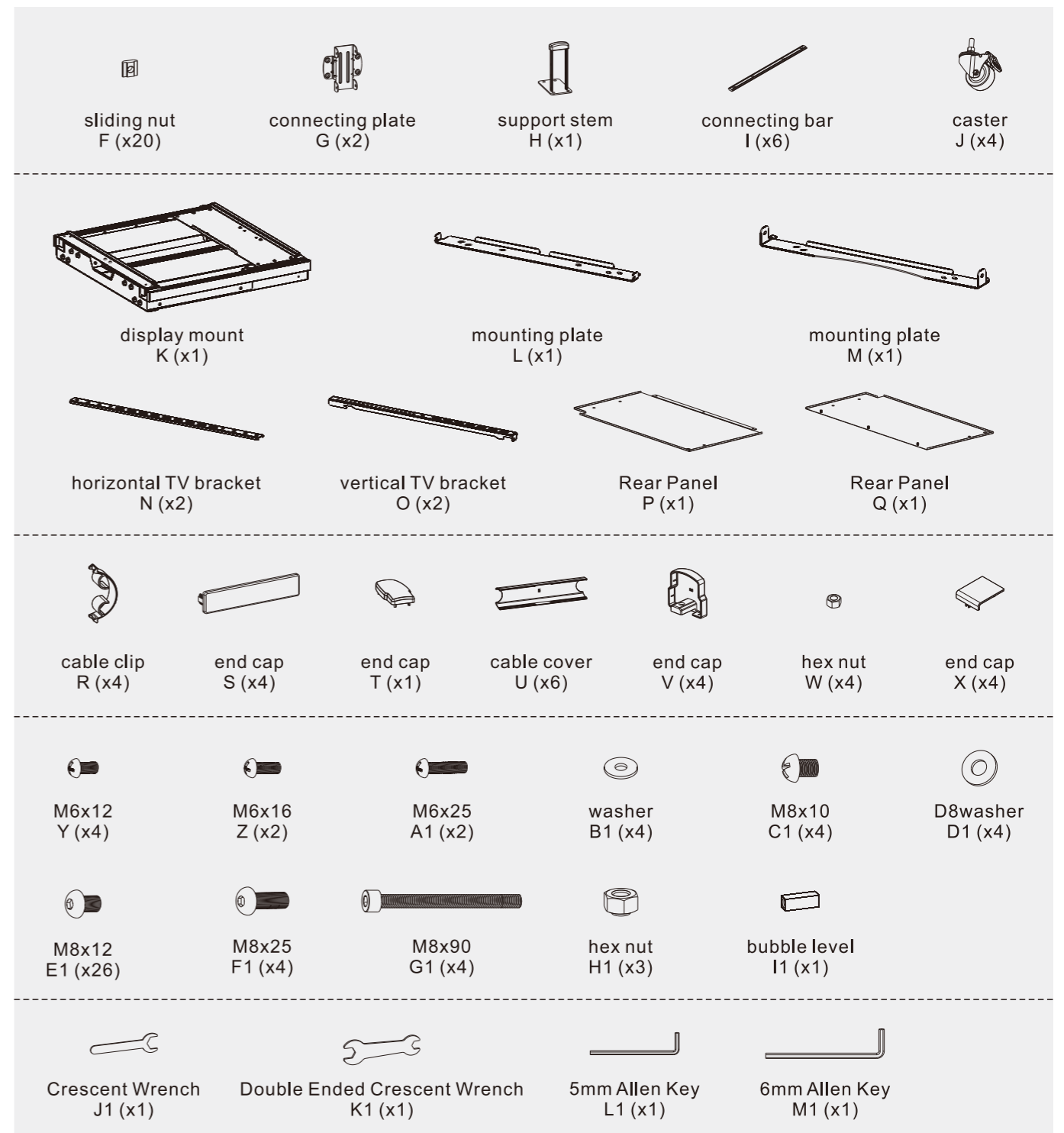
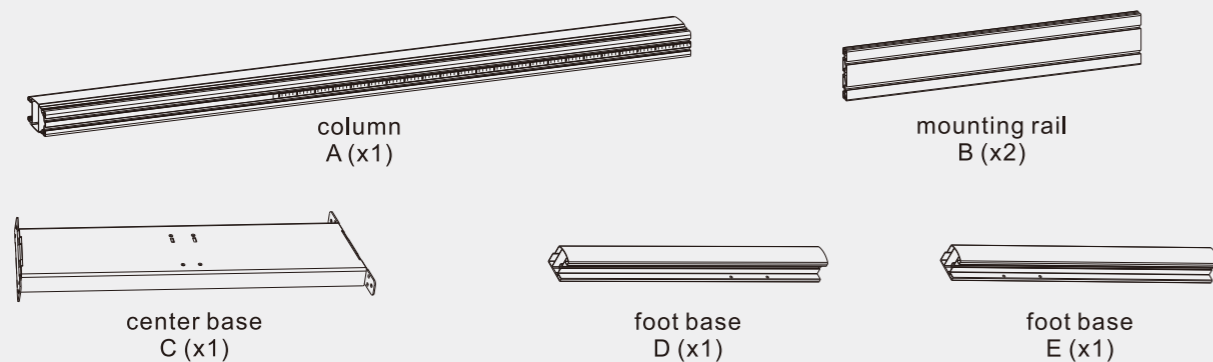
- Use with products heavier than the rated weights indicated may result in instability causing possible injury.
- Please closely follow the assembly instructions. Improper installation may result in damage or serious personal injury.
- Safety gear and proper tools must be used. This product should only be installed by professionals.
- Make sure that the supporting surface will safely support the combined weight of the equipment and all attached hardware and components.
- Use the mounting screws provided and **DO NOT OVER TIGHTEN** mounting screws.
- This product contains small items that could be a choking hazard if swallowed. Keep these items away from children.
- This product is intended for indoor use only. Using this product outdoors could lead to product failure and personal injury.

Required for Installation

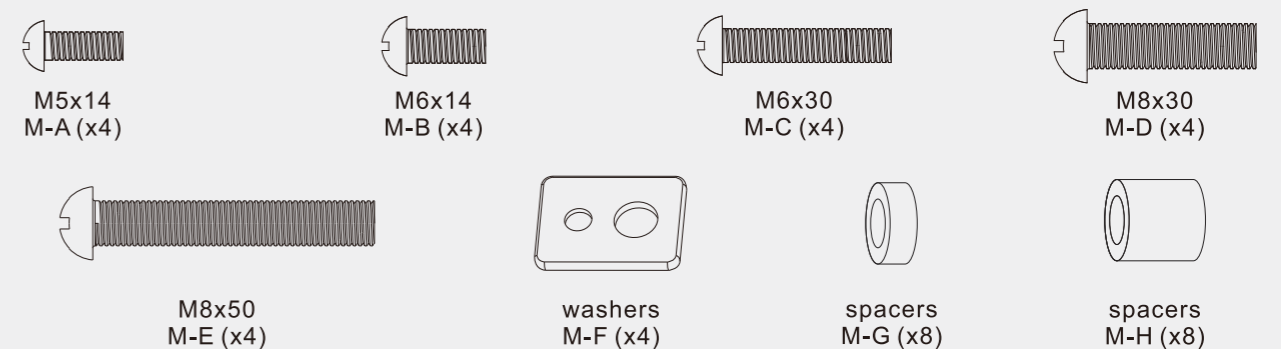


Component Checklist

IMPORTANT: Ensure that you have received all parts according to the component checklist prior to installation. If any parts are missing or faulty, contact your place of purchase for a replacement.

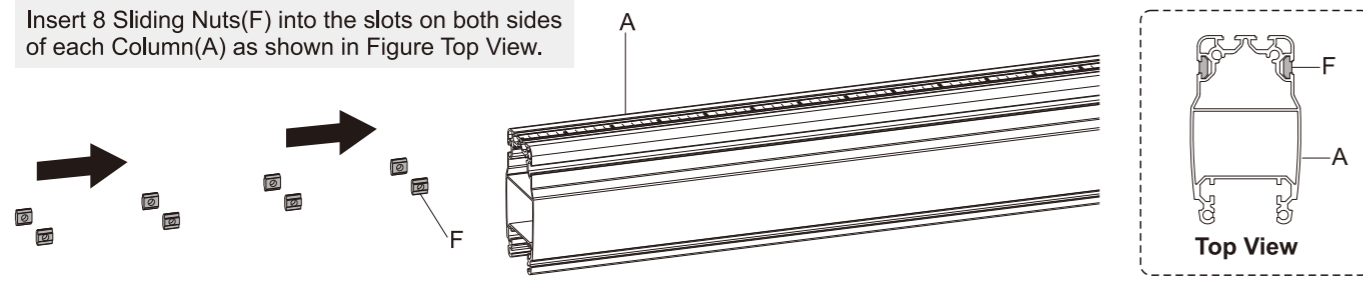


Package M x1

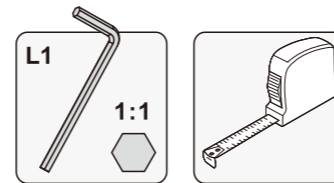


1. Attach Connecting Plate to the Column

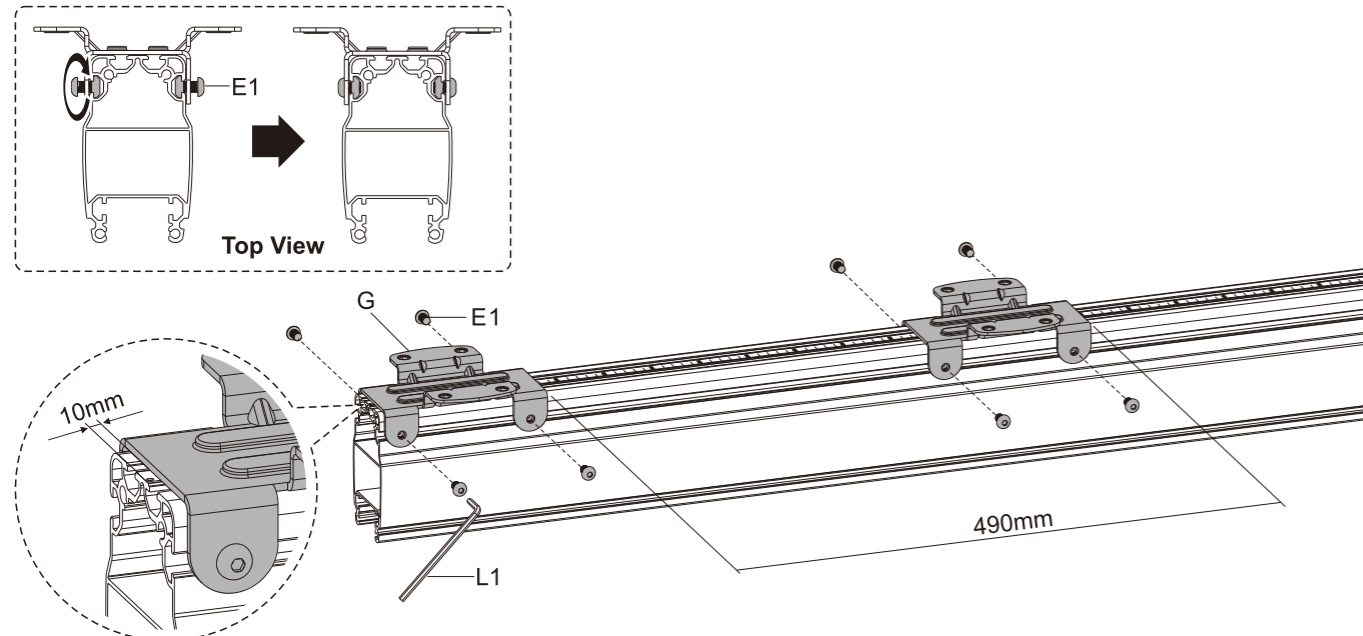
Insert 8 Sliding Nuts(F) into the slots on both sides of each Column(A) as shown in Figure Top View.



- Align the mounting holes on sliding nuts to the holes found on the connecting plate as shown in the Top View illustration below. Attach the Connecting Plate(G) to the Column(A). You will not tighten the Screws(E1) in this step.
- Use the tape measure(not included) to set the distance between the bottom of connecting plates on the column. Make sure the distance is 490mm(19.3"). Once set, tighten the Screws(E1).

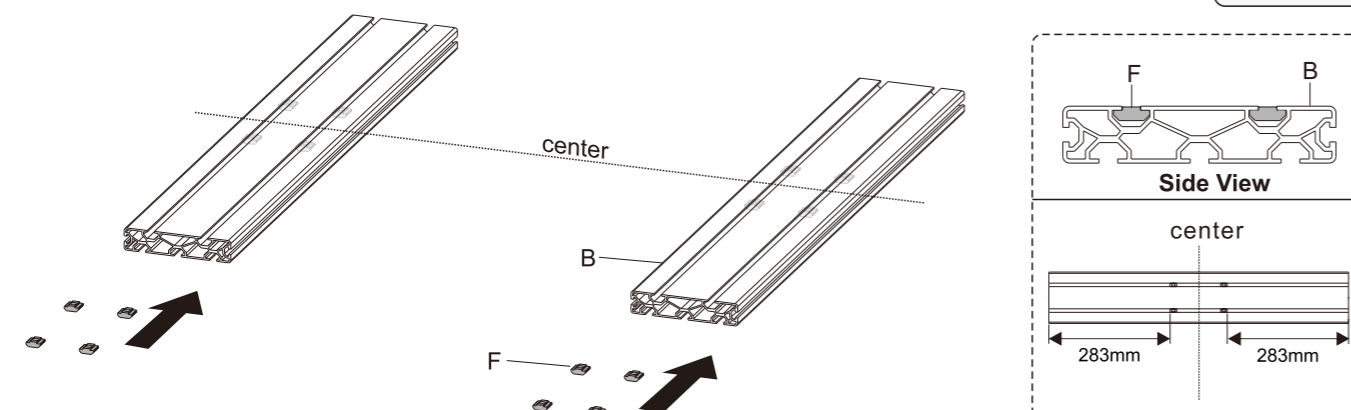
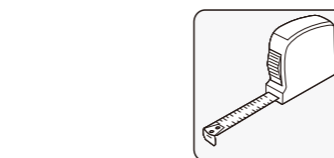


Note: Leave at least 10mm gap at the top of the column for the end cap.

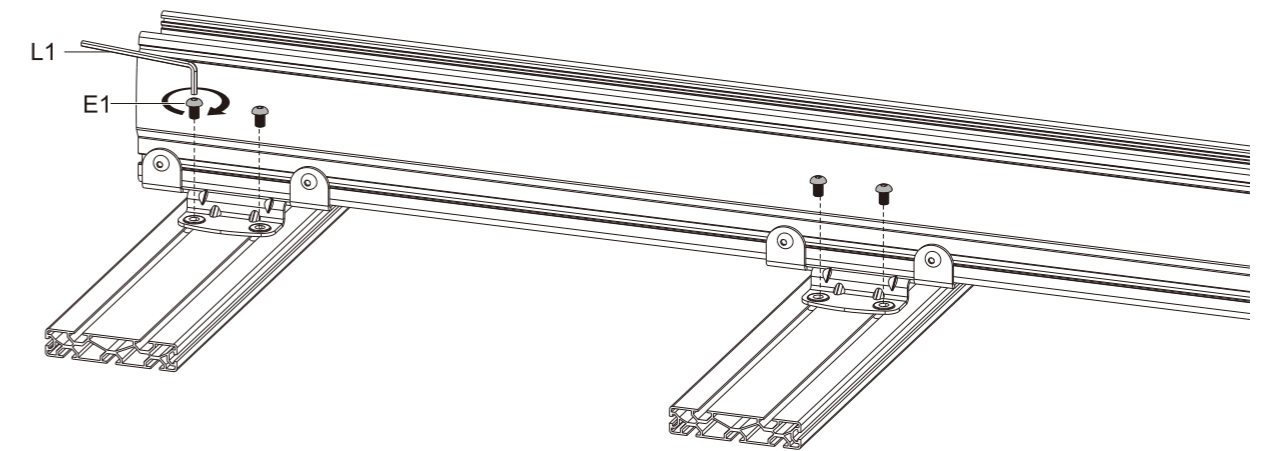
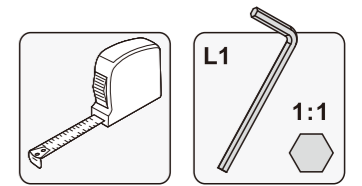


2. Attach Column to the Mounting Rail

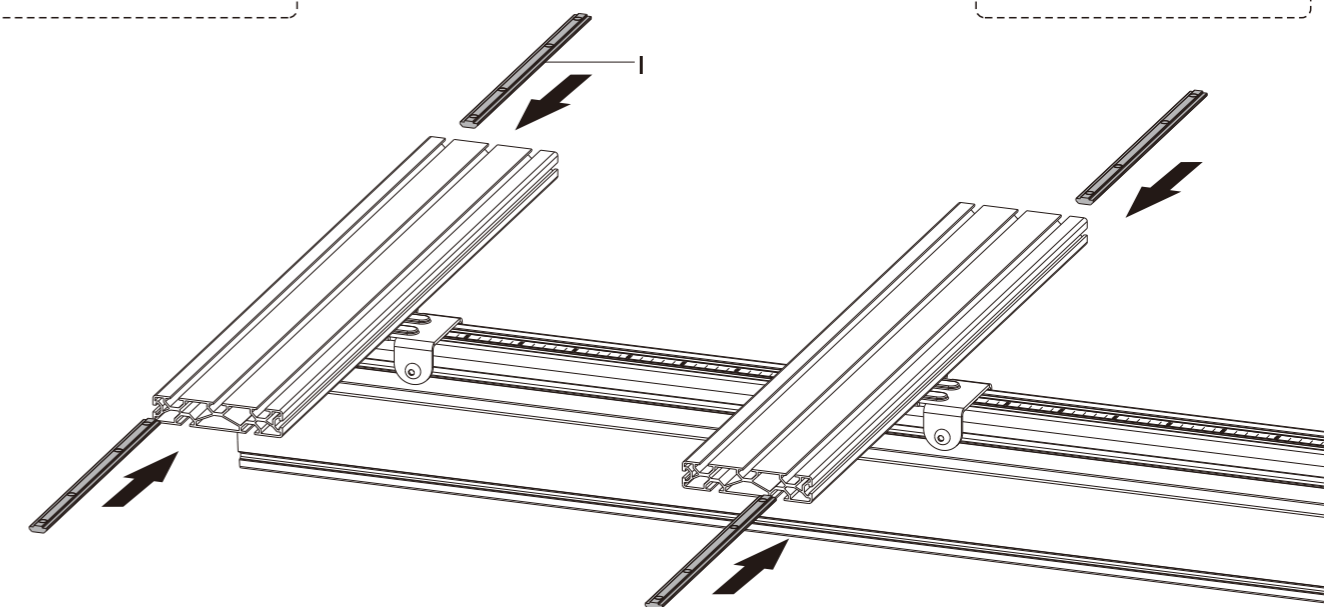
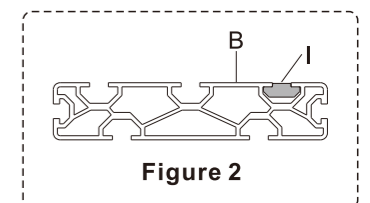
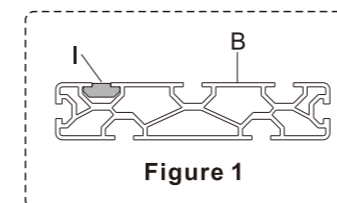
1. Lay Mounting Rails(B) on the floor with the two slots side facing upward.
2. Insert 4 Sliding Nuts(F) into 2 slots on each mounting rail as shown in Figure Side View and position the nuts centrally on the rails.



- Align the mounting holes on sliding nuts to the holes found on the connecting plate. Attach the assembled column to the Mounting Rails(B) with Screws(E1).
- Use the tape measure to make sure the position of mounting rails are parallel.

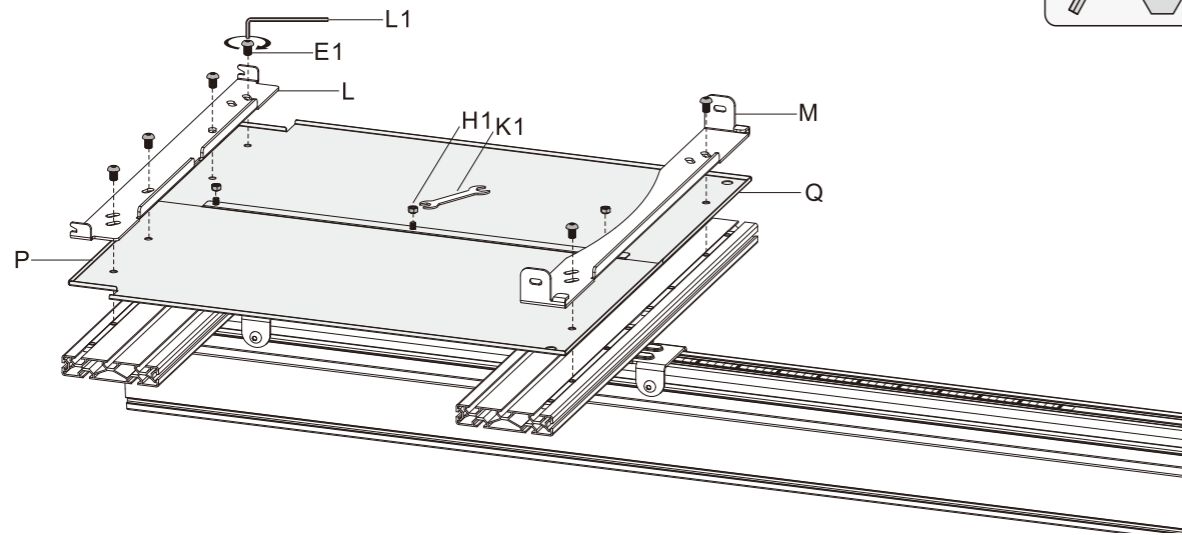
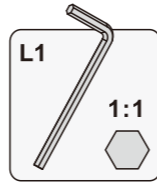


3. Attach the Rear Panel



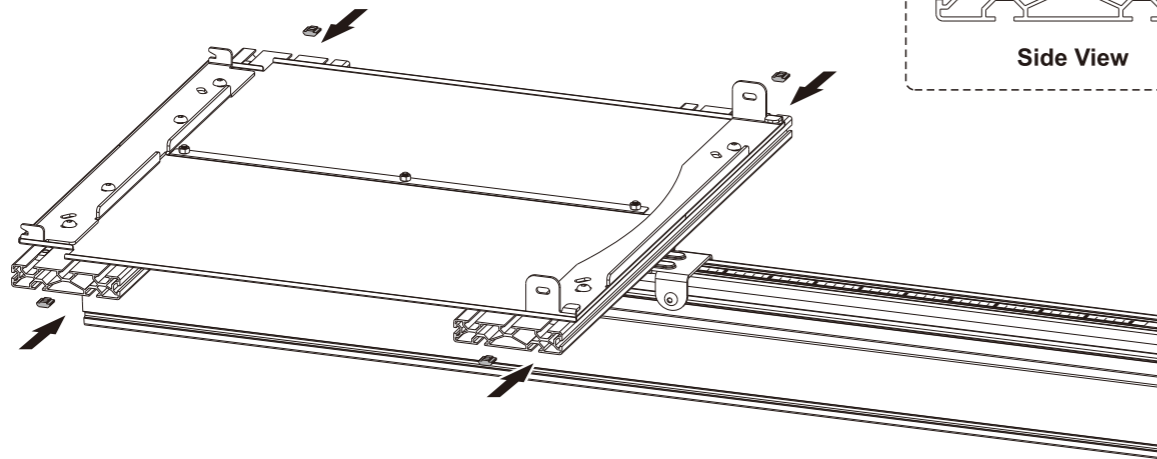
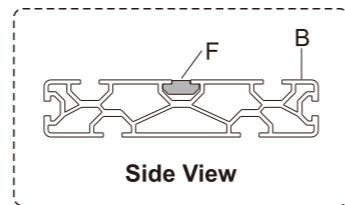
- Insert 2 Connecting Bar(I) to the top slot of the top rail as shown in the Figure 1.
- Insert 2 Connecting Bar(I) to the bottom slot of the bottom rail as shown in the Figure 2.

- Assemble the Rear Panels(P) and (Q) with Hex Nuts(H1).
- Align the mounting holes on the assembled rear panel to the holes found on the mounting rails and the Mounting Plate(L) and (M) as shown.
- Attach the rear panel to the rails with 6 Screws(E1).

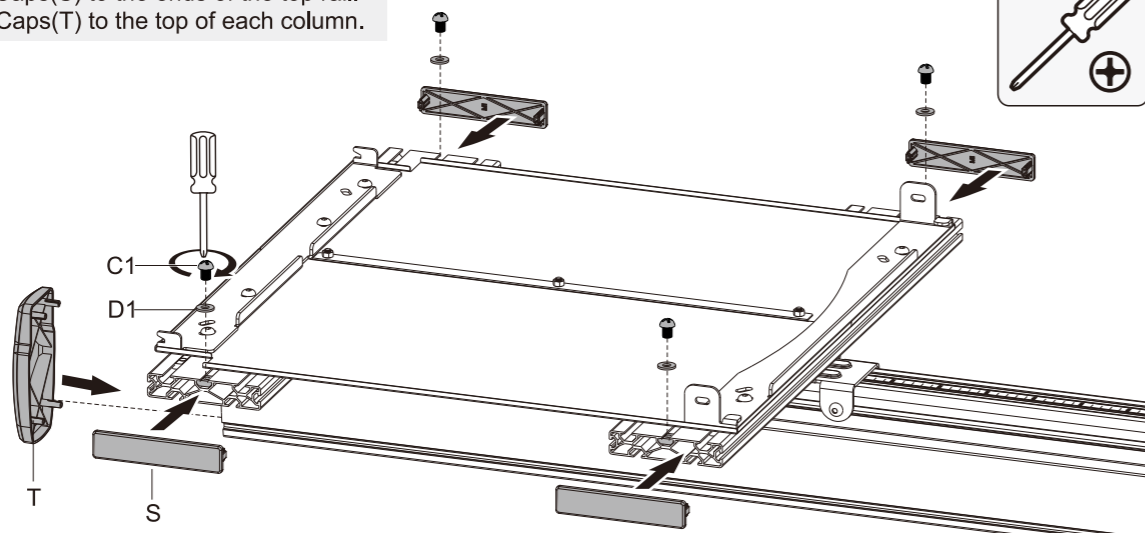


4. Attach the End Cap

Insert 2 Sliding Nuts(F) into the middle slot on each mounting rail as shown in the illustration below and position the nuts to the ends of the rails.

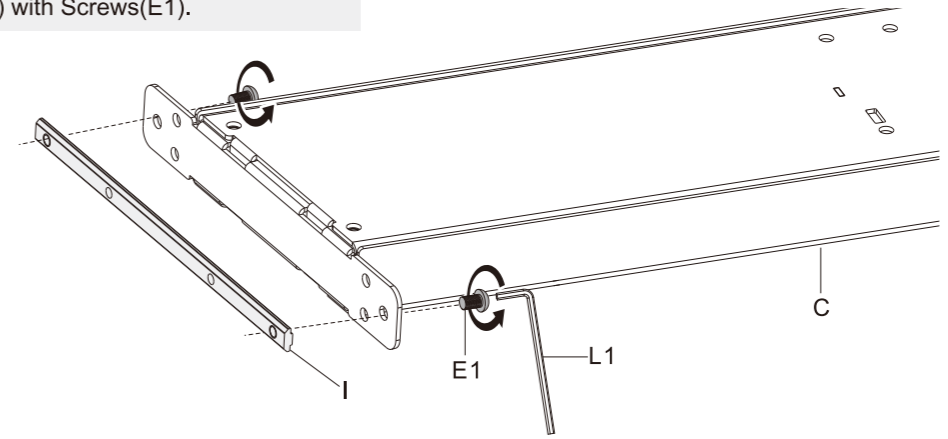
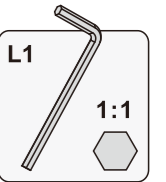


- Fix the nuts using Screws(C1) and Washers(D1).
- Attach the End Caps(S) to the ends of the top rail.
- Attach the End Caps(T) to the top of each column.

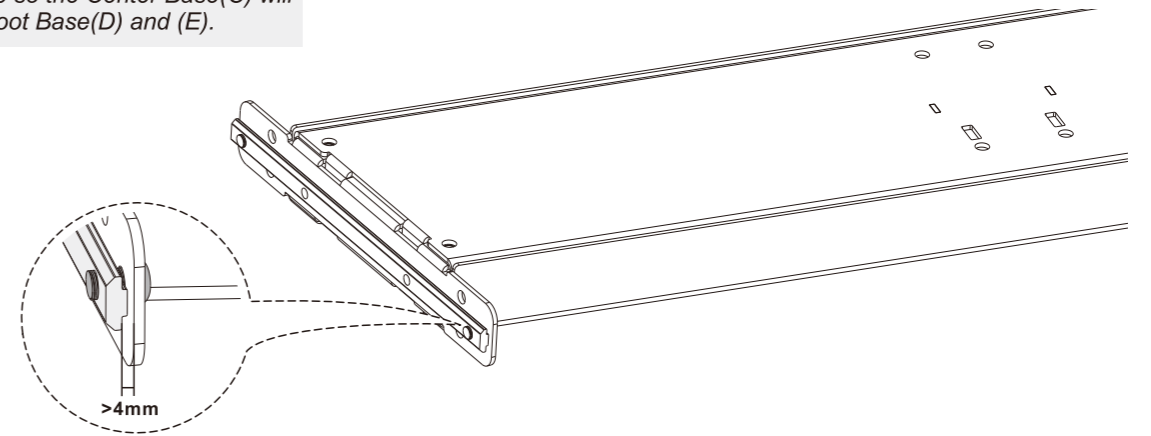


5. Assemble the Base

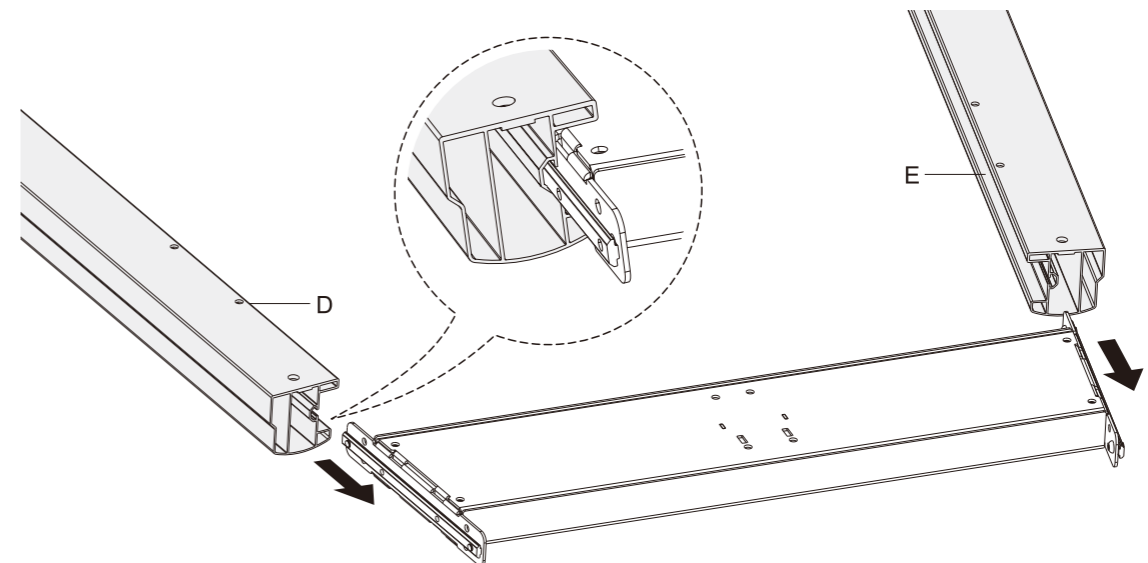
- **NOTE:** The Illustration below shows the back side of the Center Base(C).
- Attach the Connecting Bars(I) to each side of the Center Base(C) with Screws(E1).



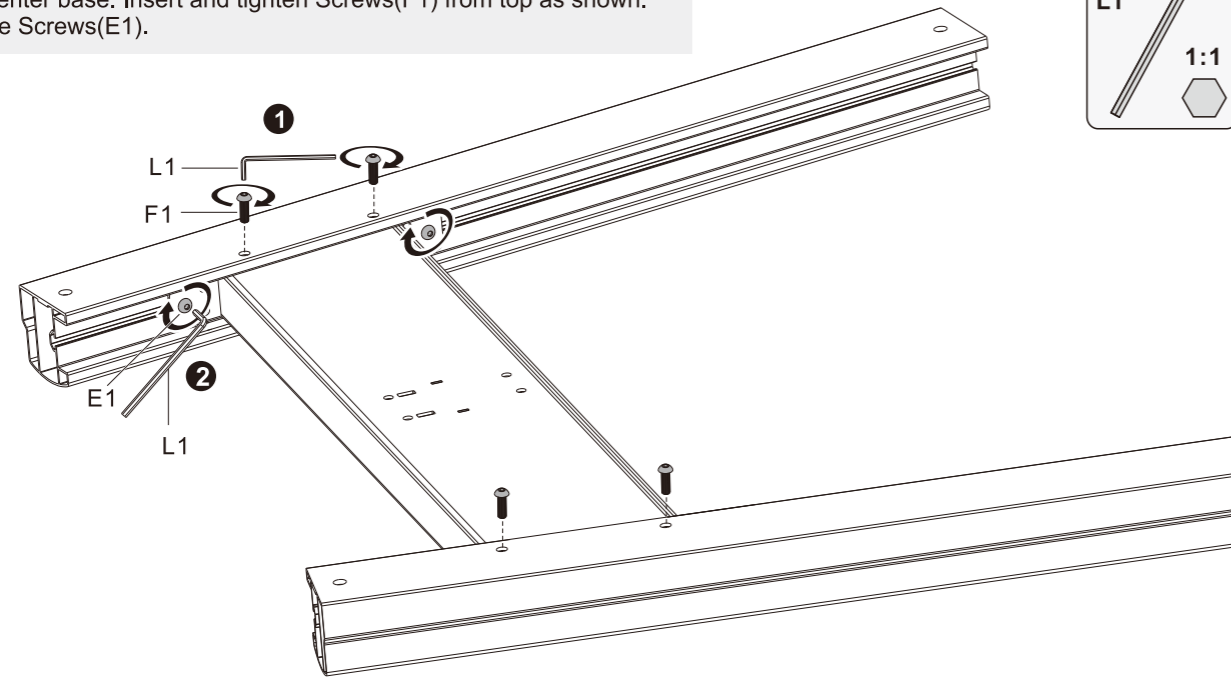
Note: DO NOT over-tighten the screws and leave a small gap so the Center Base(C) will slide into each Foot Base(D) and (E).



Slide the foot bases to the center base.

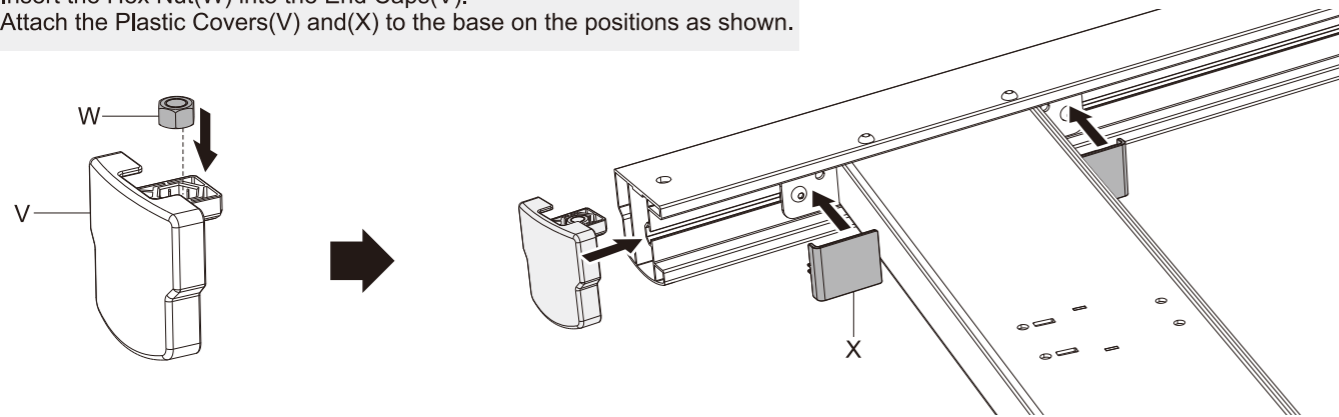


- Align the mounting holes found on the foot base members to holes found on the center base. Insert and tighten Screws(F1) from top as shown.
- Tighten the Screws(E1).

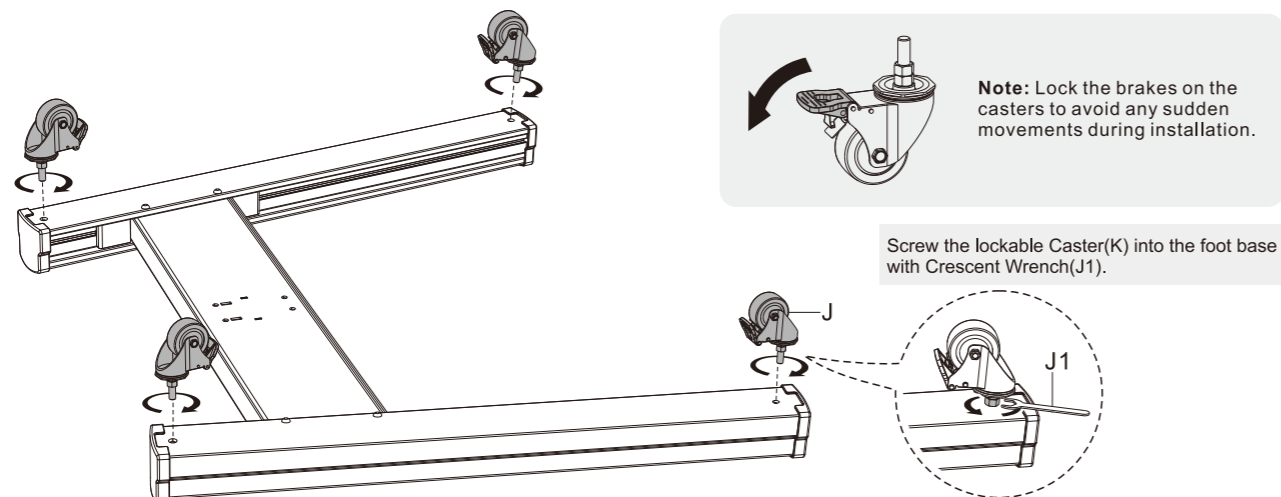


6. Assemble the Plastic Covers

- Insert the Hex Nut(W) into the End Caps(V).
- Attach the Plastic Covers(V) and(X) to the base on the positions as shown.

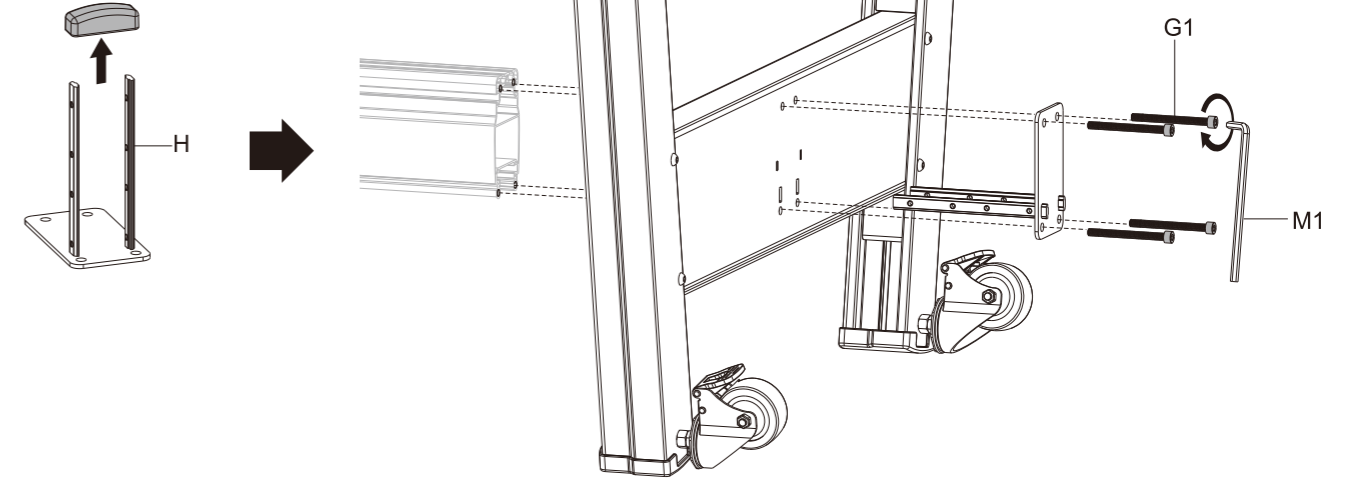


7. Assemble the Casters

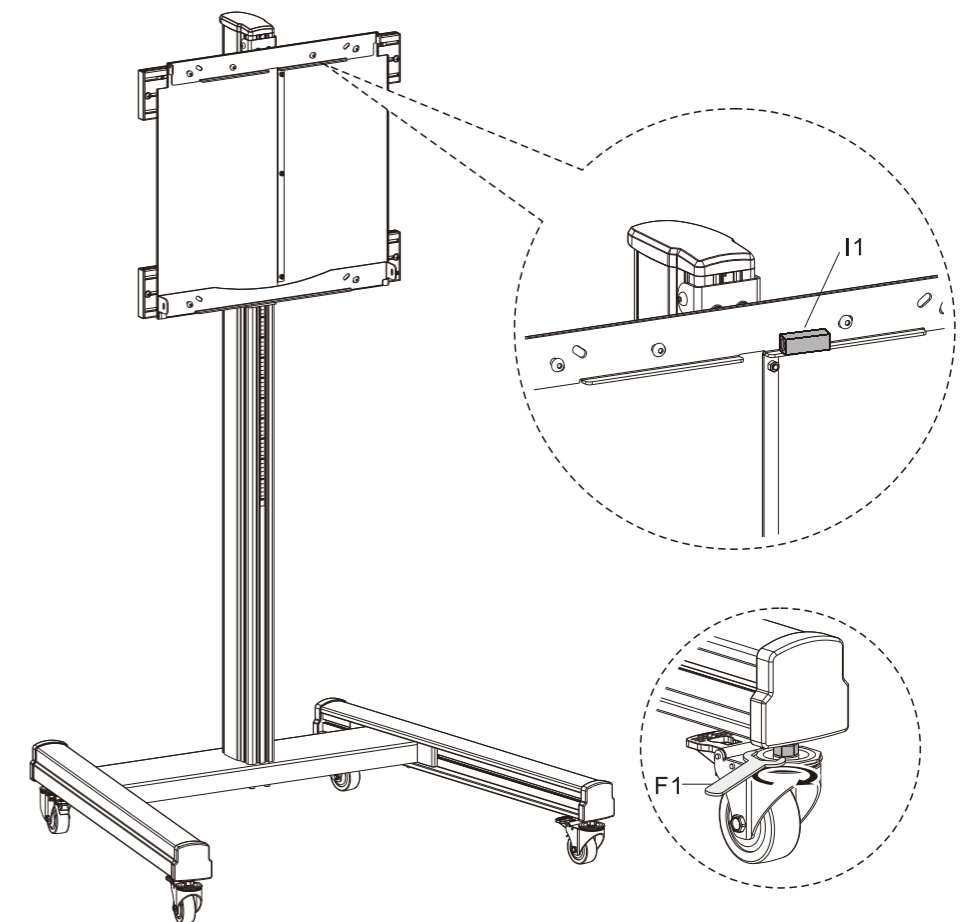


8. Attach Base to the Column

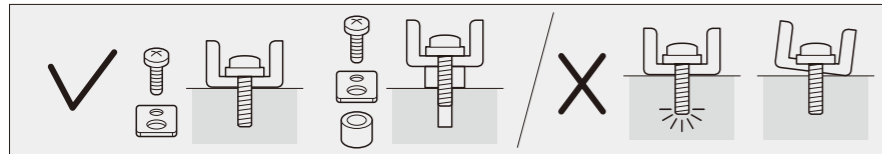
- Remove the end cap from the Support Stem(H).
- Attach column to the base using support stem and Screws(G1).



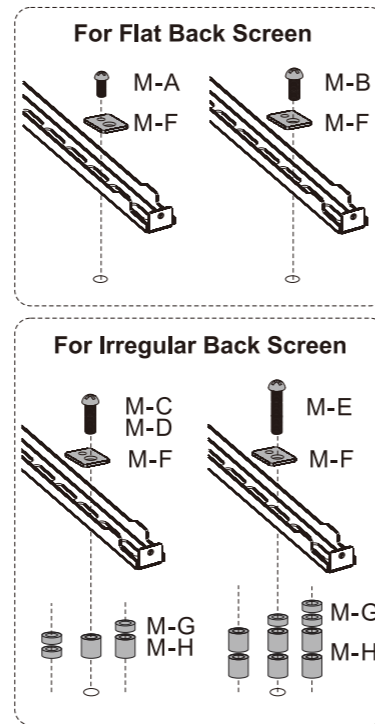
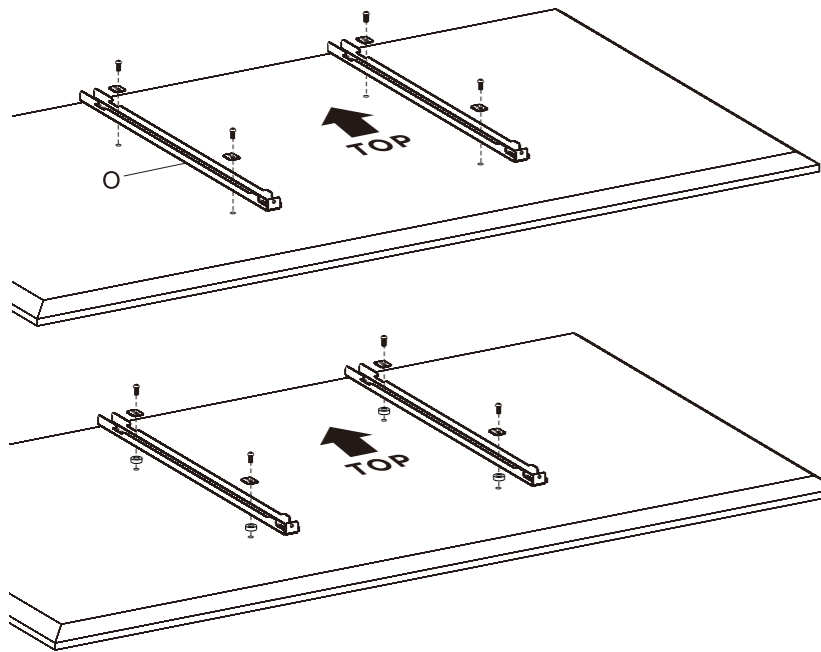
- Turn the stand to upright position, using the bubble level to check if the stand is even.
- To level adjustment, use the Crescent Wrench(J1) to precisely adjust the casters as shown.



9. Attach TV Bracket



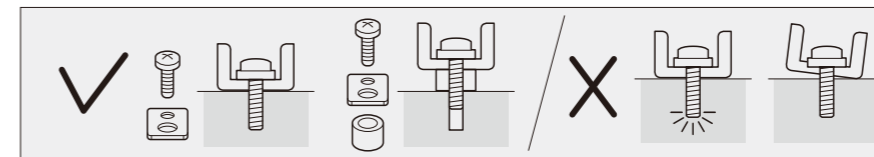
VESA Compatibility: Horizontal - max.500mm
Vertical - max.600mm



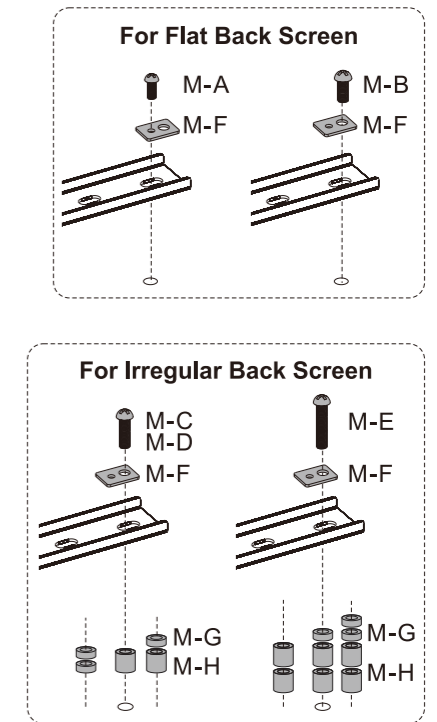
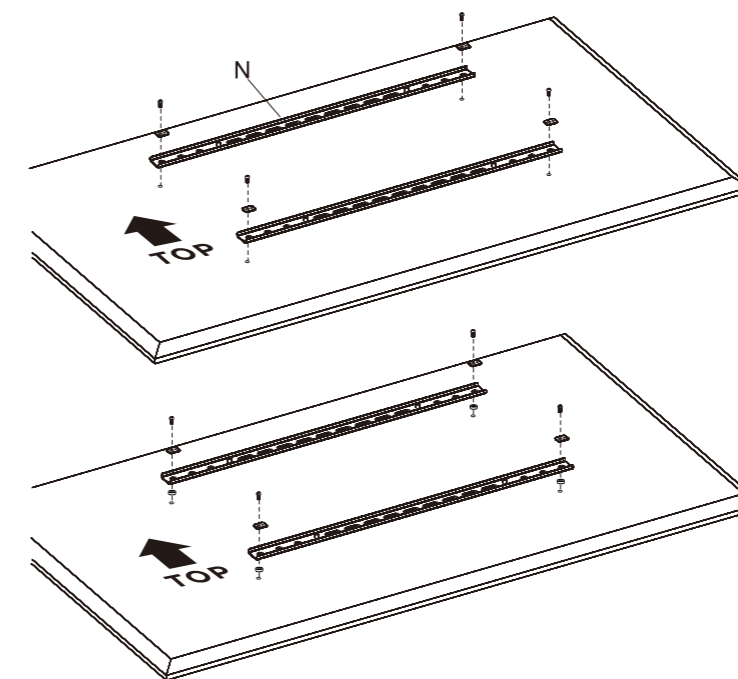
M-A			M-B		
M-C			M-D		
M-E			M-F		
M-G			M-H		

Note: Choose the appropriate screws, washers and spacers (if necessary) according to the type of screen.
 • Position the adapter brackets as close as possible to the center of the display.
 • Screw the adapter brackets onto the display.

Tighten all screws but do not over tighten.



VESA Compatibility: Horizontal - 600mm,800mm
Vertical - 400mm,600mm

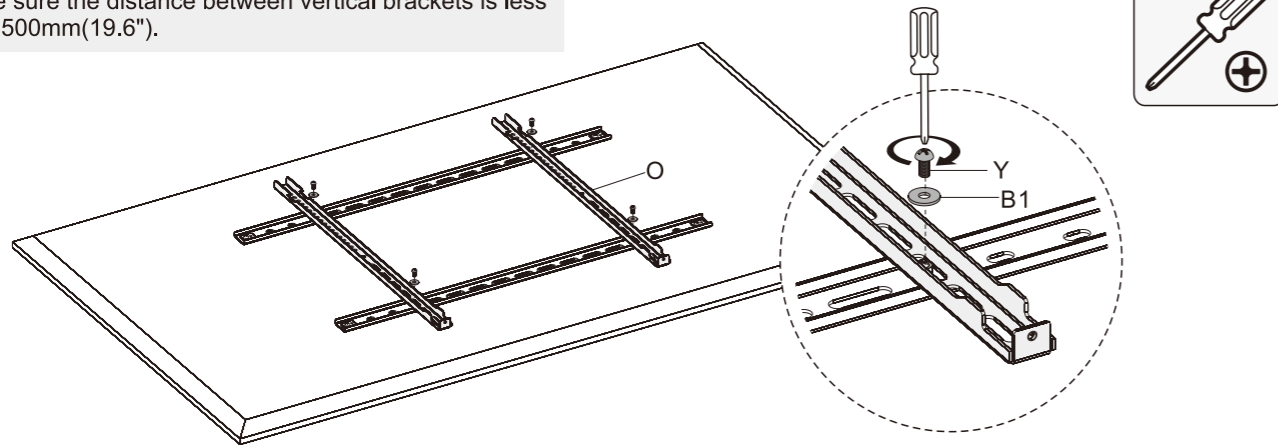


M-A			M-B		
M-C			M-D		
M-E			M-F		
M-G			M-H		

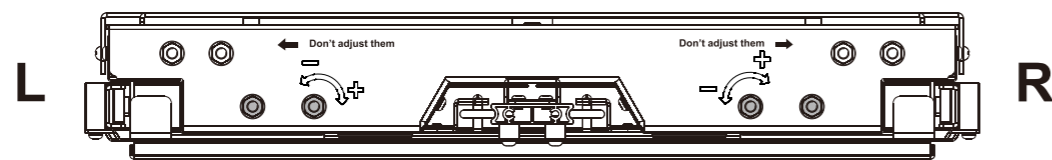
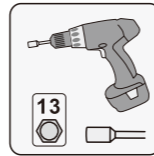
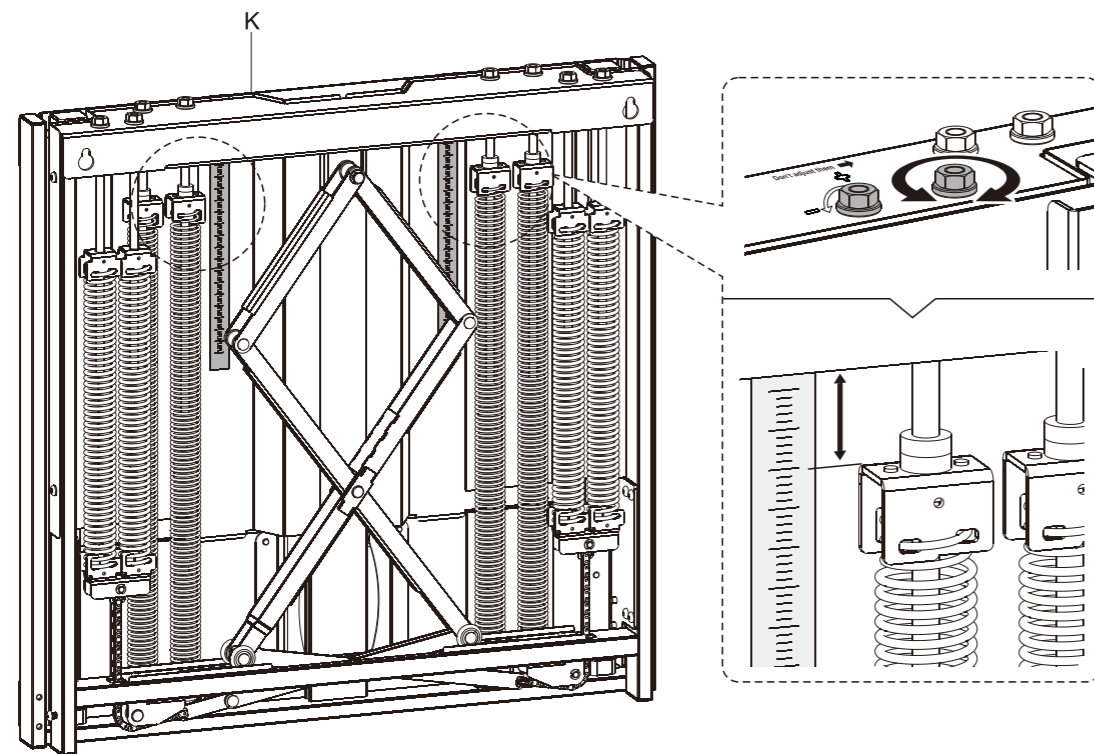
Note: Choose the appropriate screws, washers and spacers (if necessary) according to the type of screen.
 • Position the adapter brackets as close as possible to the center of the display.
 • Screw the adapter brackets onto the display.

Tighten all screws but do not over tighten.

Attach the Vertical Brackets(O) to the horizontal brackets. Make sure the distance between vertical brackets is less than 500mm(19.6").



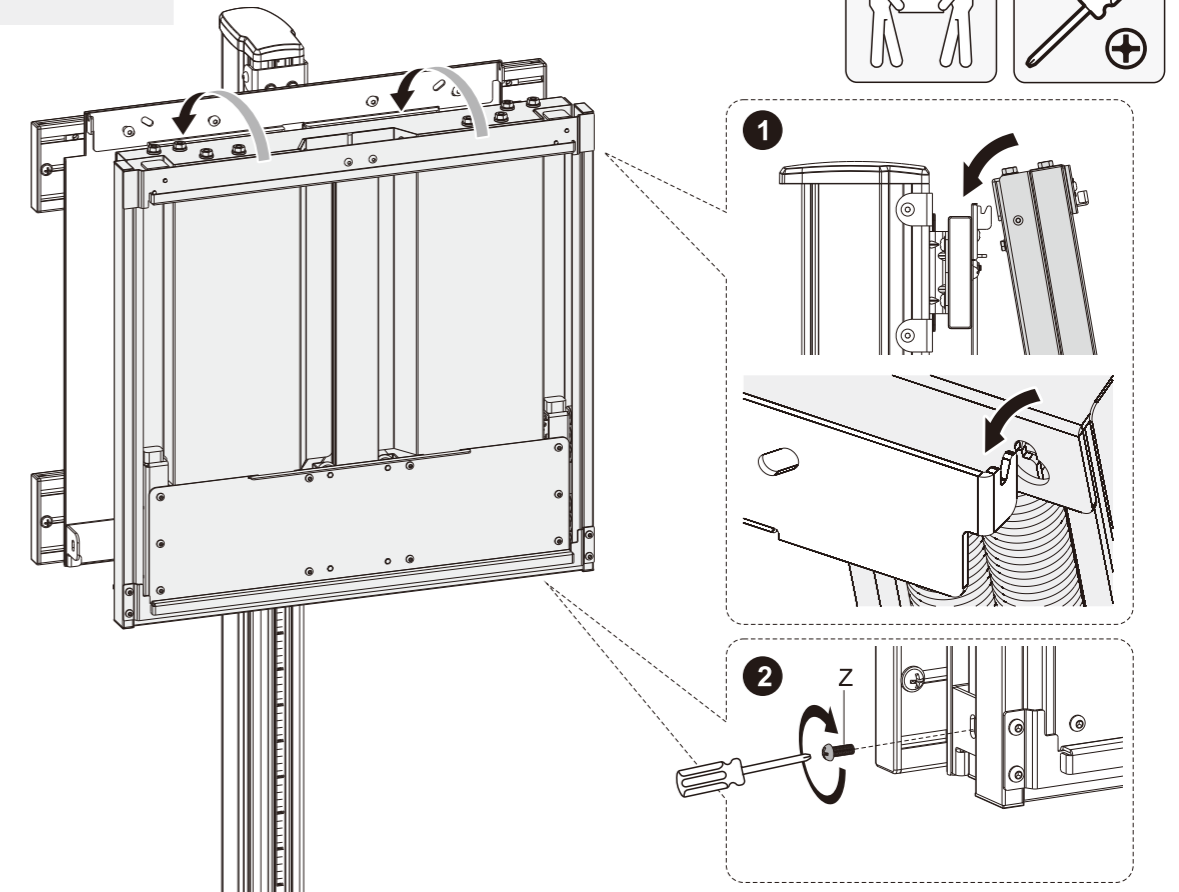
10. Weight Balance Adjustment



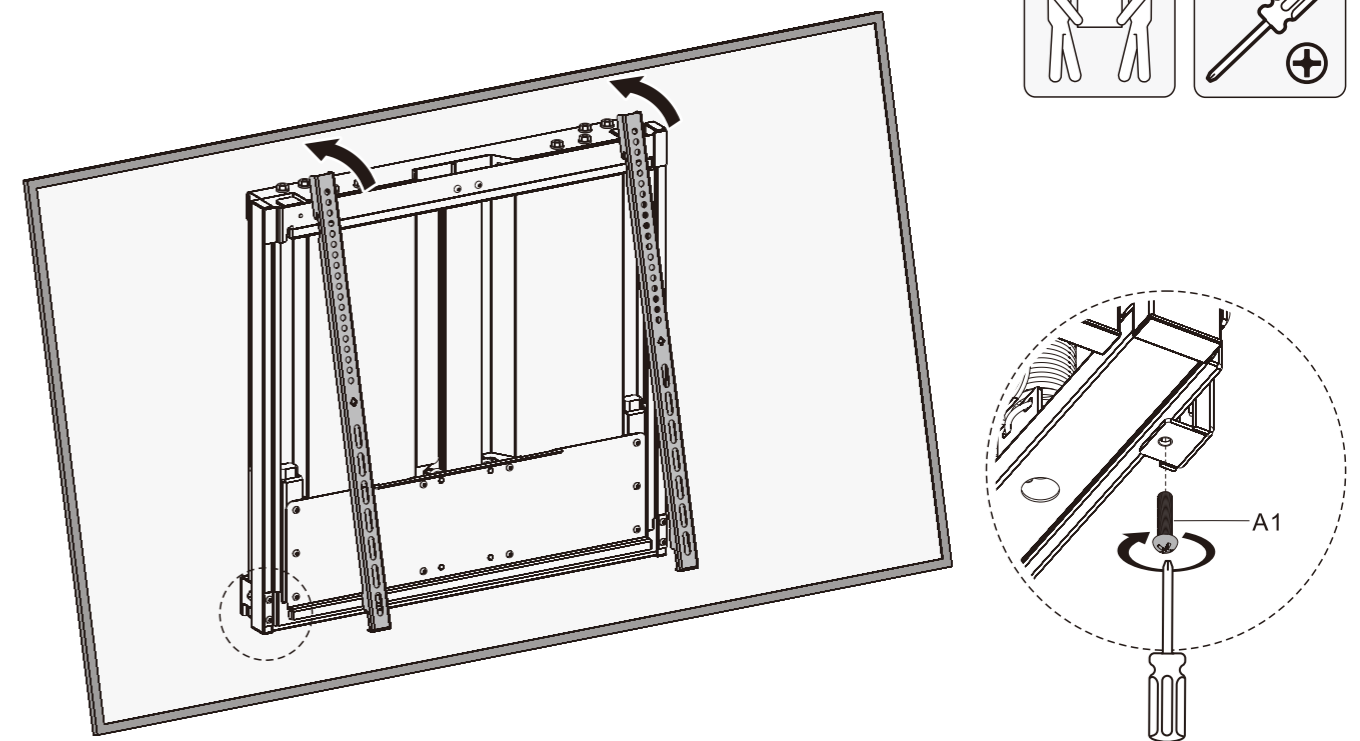
The mount arrives with a default balance setting. Adjust to the number found on the scale that matches the weight of the display. To properly balance the unit, use a drill with a nut-driver to adjust the four balance bolts (two located on each side, left and right). Alternate between each side until it has achieved a perfect balance.

11. Hang the Screen

- Hook the Display Mount(K) to the stand.
- Secure the mount with Screws(Z).
- 2 people required.

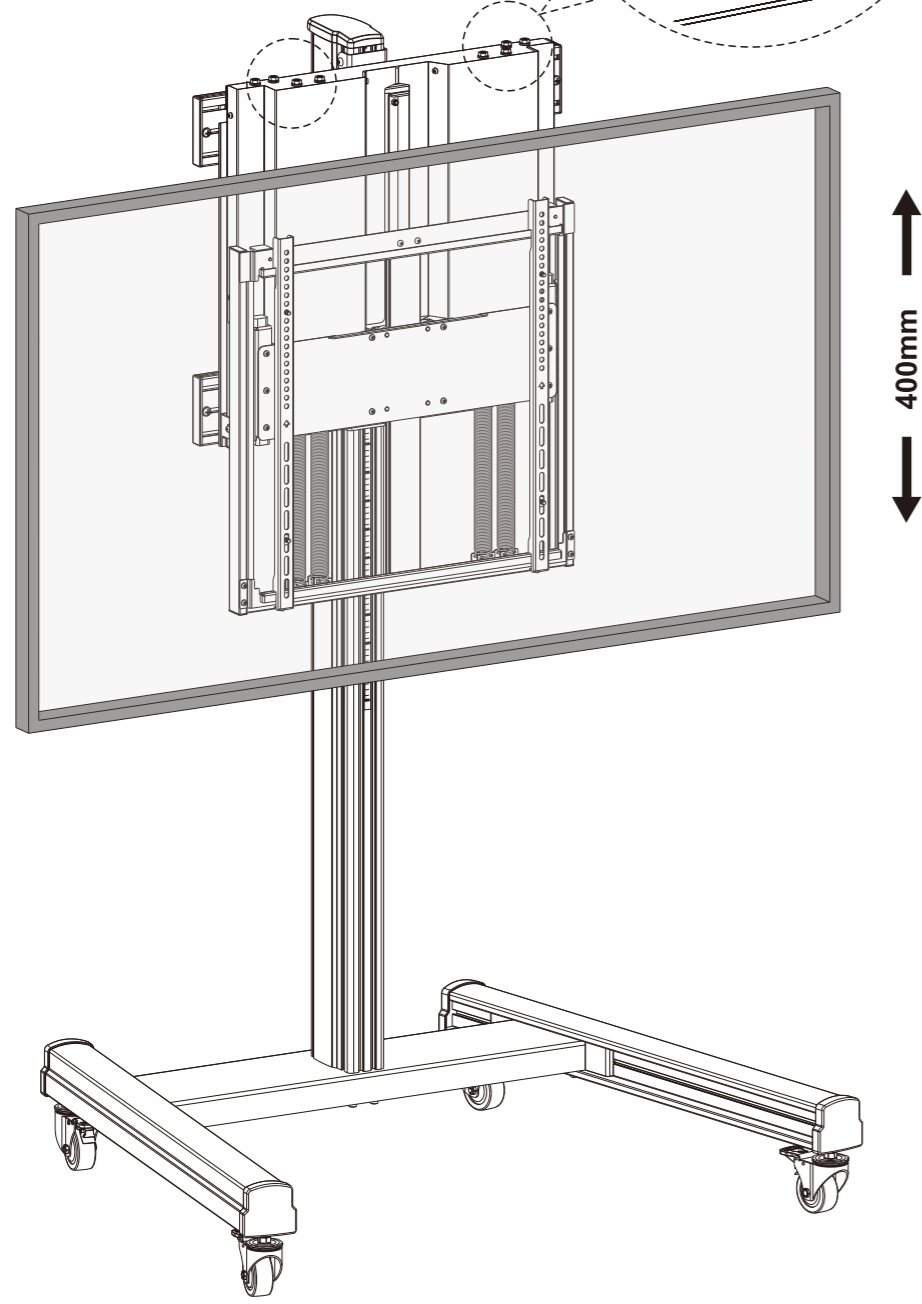
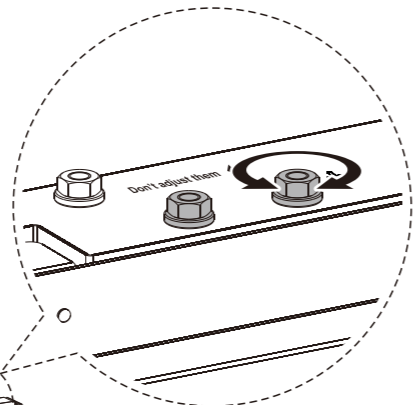
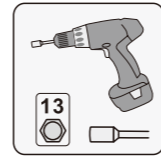


Tighten the safety screws found on the bottom of each bracket to secure the TV to the stand.

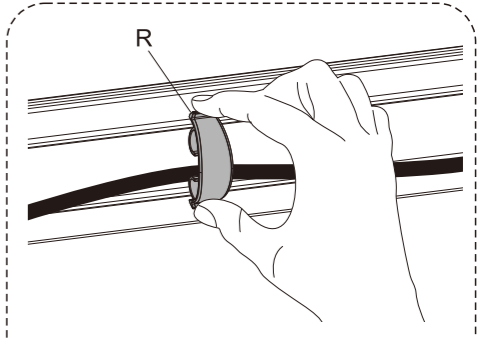
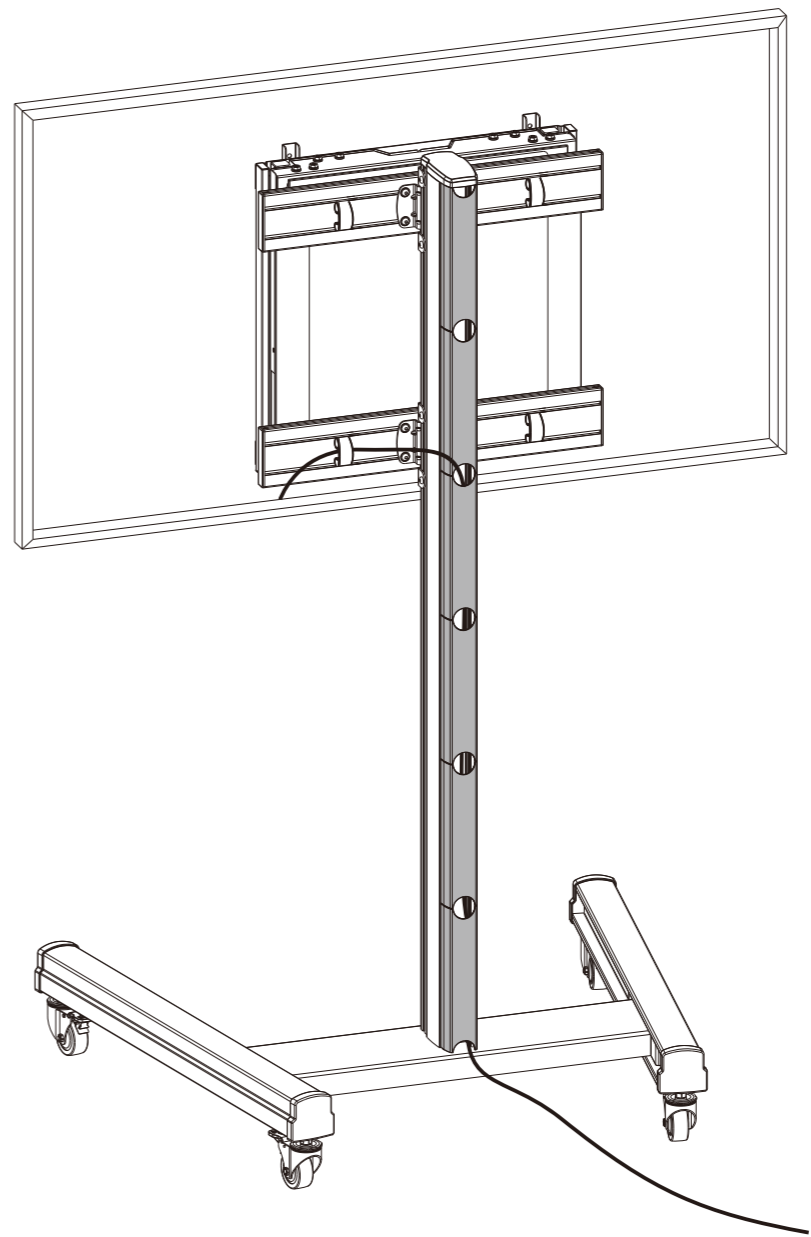


12. Weight Balance Adjustment

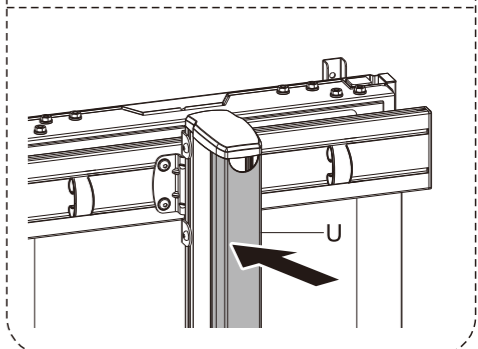
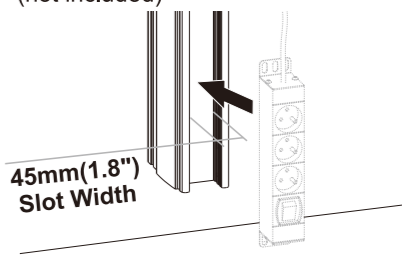
Make a fine adjustment to ensure a perfect balance.



13. Cable Management



Optional: Adding a Power Socket (not included)



Maintenance

- Check that the bracket is secure and safe to use at regular intervals(at least every three months).
- Contact your place of purchase should you have any questions or need assistance.