

## OVERVIEW

The Redback A 2080C is a 10 Zone Speaker Selection Panel which enables the control of paging and background music. Designed for distributed PA systems as used in schools, clubs, office buildings and recreation centres.

## OPERATION

The 100V output of a PA amplifier can be fed into the A 2080C and then distributed to any or all of 10 output speaker zones. The speaker zones are selected by switching the corresponding switch on the front of the unit. Each zone has the ability to handle 500W at 100V, but the unit is designed to handle a maximum of 500W total load when the All Call is active. This can be increased to 1000W total load if 24V DC is applied to the 24V In connectors.

The unit also has provision for an "All Call" facility. Switching the "All Call" switch on the front of the unit to 'ON' will feed the input source from the amplifier to all 10 speaker zones. This "All Call" function can also be initiated by supplying 24V DC to the "All Call Trigger" on the rear of the unit. This trigger could be used as an emergency override of zones.

If more than 10 speaker zones are required the units can be daisy chained together to create an infinite number of zones.

NOTE : When multiple units are daisy chained together, the "All Call" can be initiated by having any of the "All Call" switches turned ON, or by applying 24V DC to any of the "All Call" triggers.

## INSTALLATION

It is recommended that the Zone selection panels be used only with 70V and 100V line amplifiers with a maximum load of 1000W total (Max 500 per zone).

**(WARNING : Connecting these units to a 4Ω or 8Ω amplifier system may damage your amplifier.)**

Fig 1 illustrates how to connect a single A 2080C Zone Speaker Selection Panel.

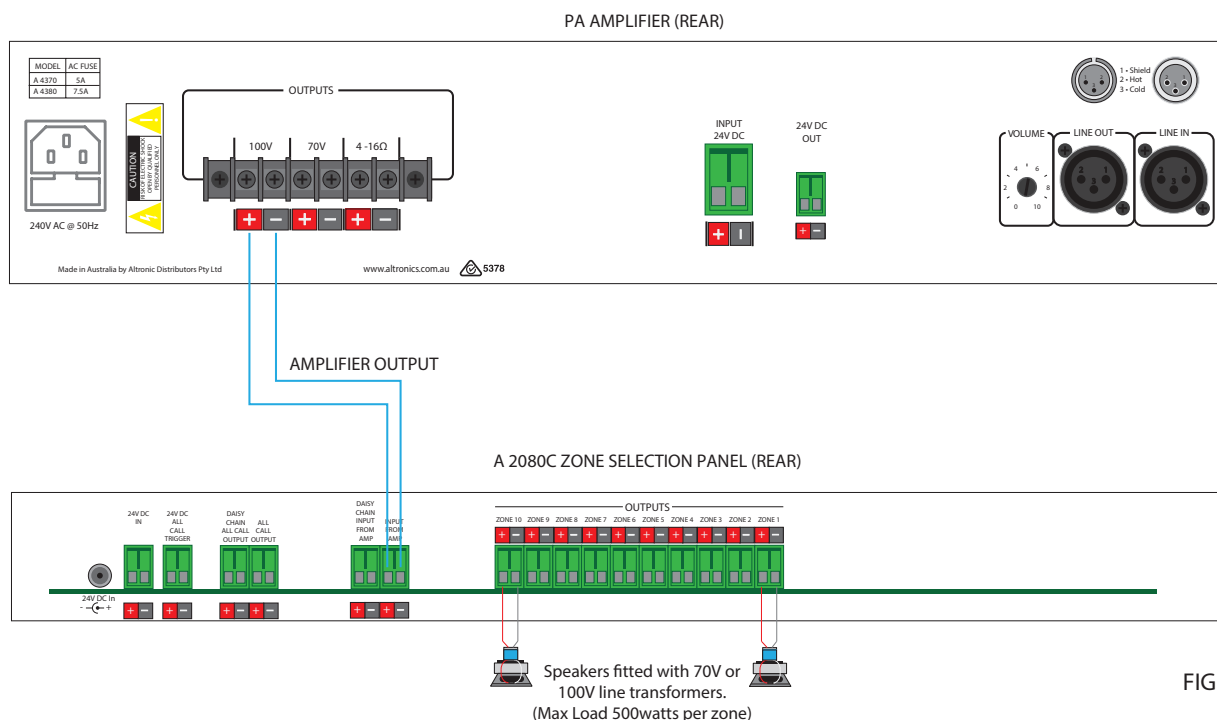
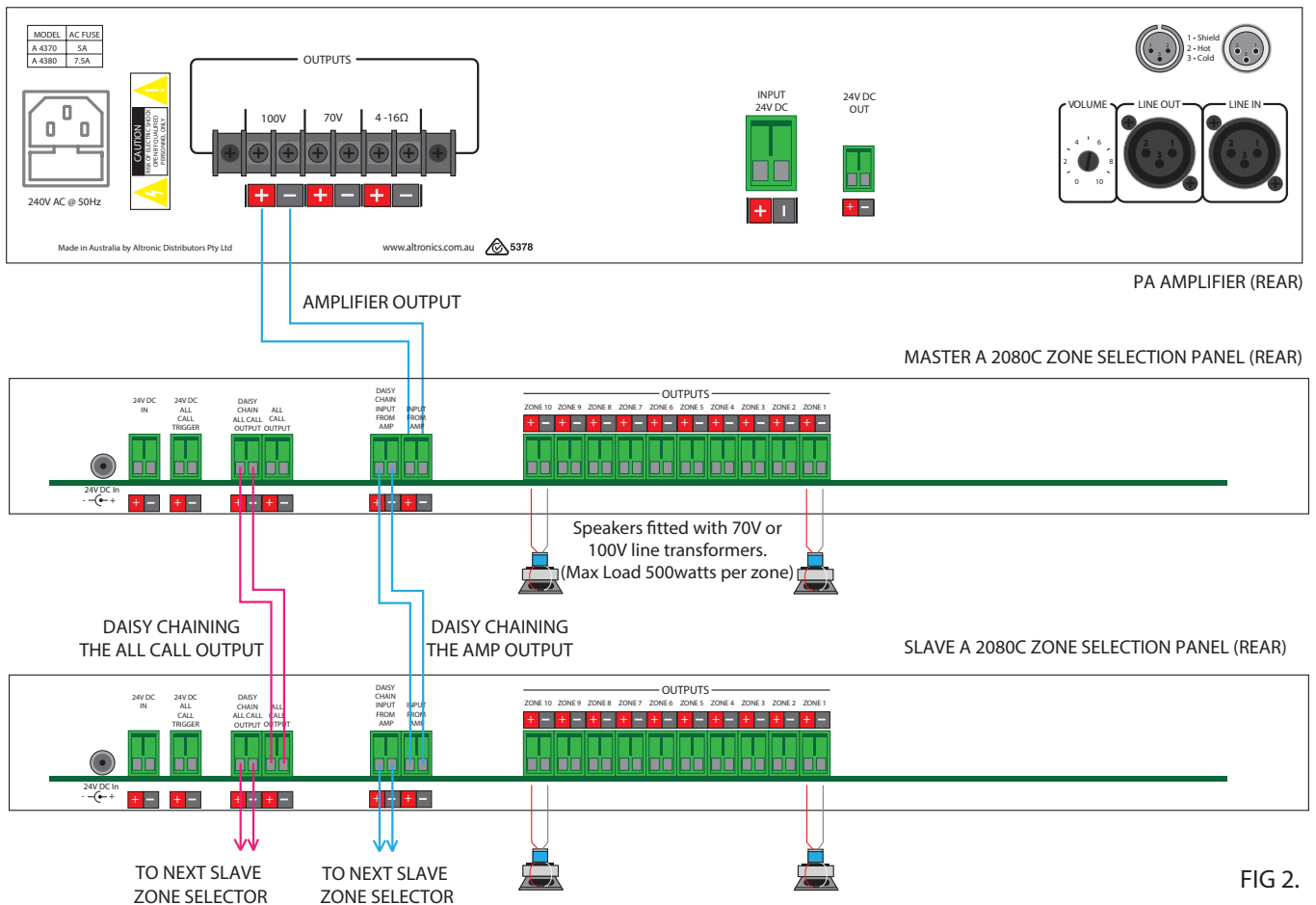


FIG 1.

# Redback® A 2080C Zone Selection Panel

Fig 2 Illustrates how to daisy chain multiple A 2080C Zone Speaker Selection Panels.



The output of the amplifier is fed into the Master A 2080C which is then daisy chained to the Slave A 2080C speaker selection panels via the daisy chain terminals.

The "All Call" output is daisy chained in the same manner via the "All Call" daisy chain terminals. Combining these "All Call" connections effectively combines all the "All Call" switches, so that if the "All Call" switch on any A 2080C is turned 'ON', all units with the daisy chain connection will go into an "All Call" Mode.

If any unit has the "All Call" triggered by the 24V DC All Call trigger, then any unit with the daisy chain connection of the "All Call" terminals will go into an "All Call" mode. The 24V DC All Call trigger does not need to be daisy chained.

Fig 3 is the circuit diagram of the A 2080C.

