



Operating Manual

A 4493 Input Source Selection Remote Plate

Note: When this manual refers to the A 4480, it is also relates to the A 4480A and A 4480B models.

Special Note: The A 4493 might require a firmware update to be compatible with older A 4480 and A 4480A models.

1.0 Overview

The A 4493 wall plate allows remote selection of the A 4480's zone's input audio source and volume level. In addition, when connected to the A 4931 local zone input wallplate, it allows the use of a local signal source, such as a wired mic, radio mic or aux source such as a mobile device, which VOX mutes the selected input from the A 4480. The LCD displays the zone name, the input sources and zone and local input volume levels.

Note: The volume controls only adjust the volume of the 8 aux input sources, plus the local input (when used).

General and emergency paging from the A 4480 Audio Switcher will override these volume settings.

2.0 Features

- Remote selection of input audio source
- Volume control of zone input
- Volume control of local input
- Mute function
- Zone Lockout
- Personal Identification Number (PIN) Menu Lockout Function
- 2 stage wall plate functionality Lockout
- Provision for input of local microphone or line level audio via A 4931 or A 4931V wall plates
- Cat5e connection to A 4480
- Powered from the A 4480

3.0 Menu Accessed Features

- Enable/Disable Local Input
- Clock Time Adjustment
- Backlight Timeout Adjustment
- Change Zone (Wall plate ID)
- Button actions adjustment
- Vox Sensitivity Level Adjustment
- Disable Input Sources
- Change Pin Number
- Lock/Unlock Screen

4.0 Connecting A 4493 Input Source Selector Wall Plates to the A 4480 Audio Switcher

The rear of the A 4493 wall plate is shown in figure 1.

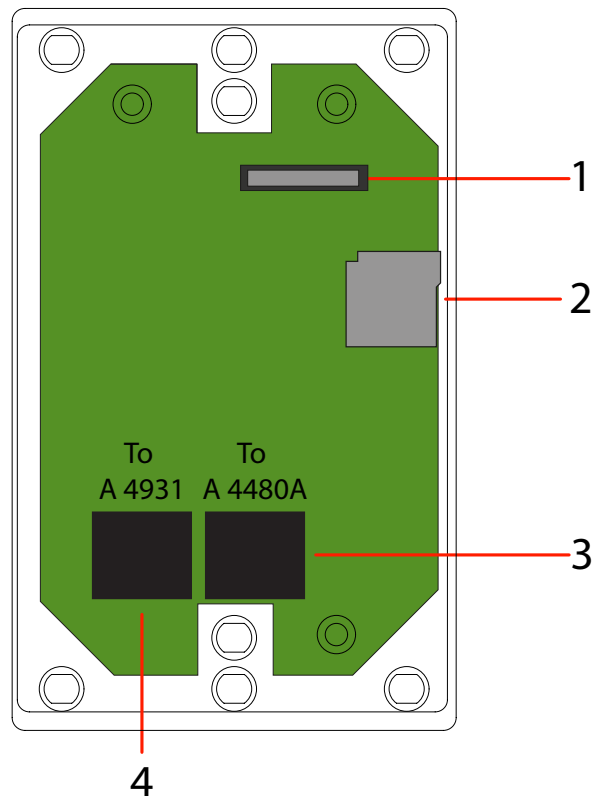
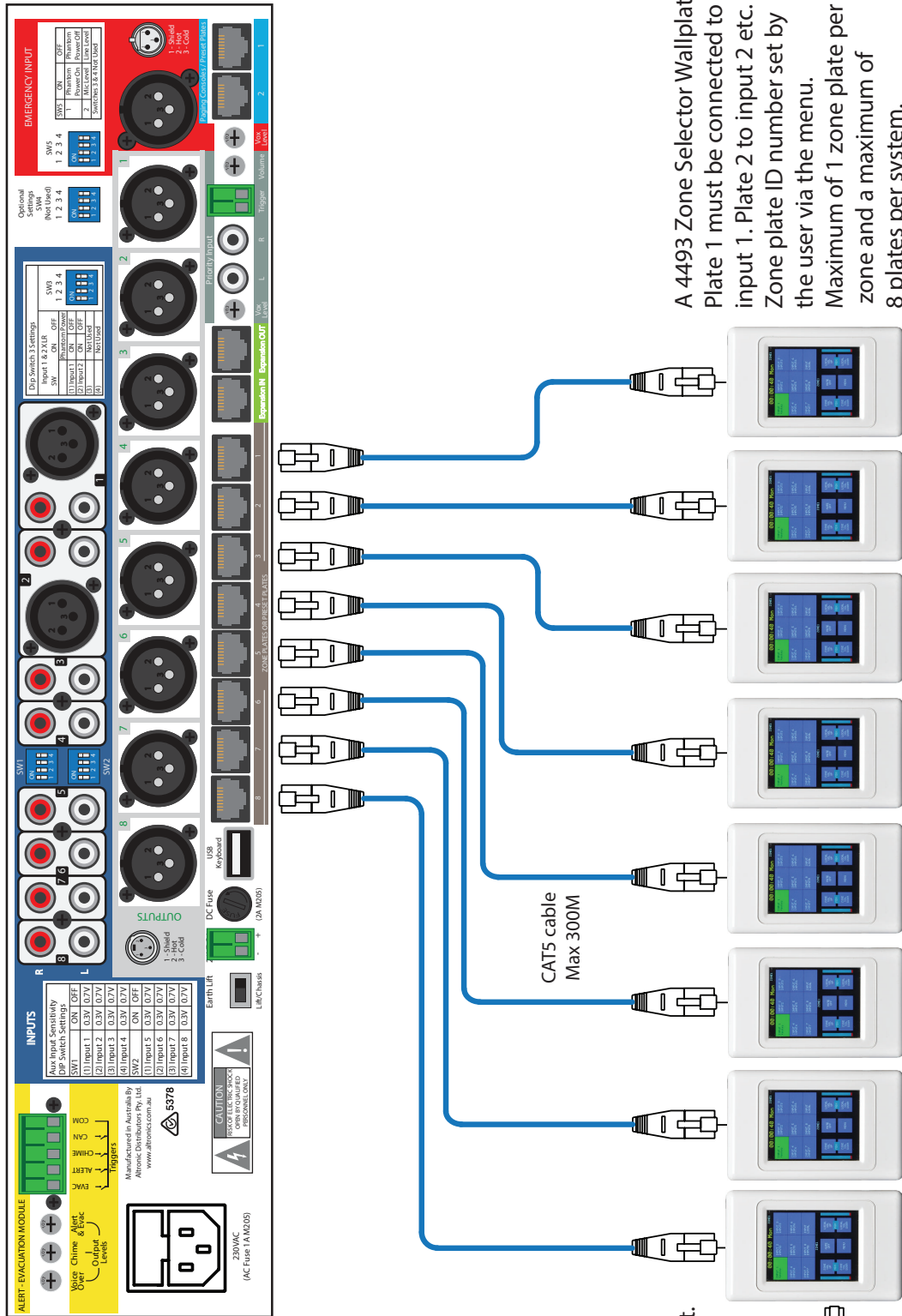


Fig 1. Rear view of A 4493

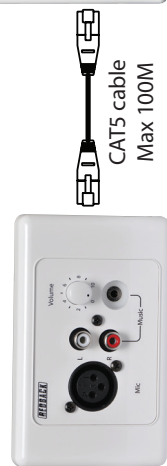
A 4493 Connection Details

- 1 Backup battery (CR2032). This is used to backup the clock time if the power is removed.
- 2 Micro SD card socket (This is used for Firmware updates only). Micro SD card not supplied.
- 3 RJ45 connection. This is connected to the A 4480.
- 4 RJ45 connection. This is connected to the A 4931 Local Input Wall Plate if used.

A maximum of eight A 4493 remote plates can be connected back to the A 4480 Audio Switcher, with a maximum of one wall plate per zone as shown in Fig 2.
 All connections are made using Cat5e leads or similar data cable.



A 4931 Local Mic/Line Input wallplate. (This is connected to the A 4493 zone selector plate to provide a local VOX operated mic or line input. Connection is via a CAT5e cable. Maximum of 1 per A 4493 plate)



A 4493 Zone Selector Wallplates. Plate 1 must be connected to input 1. Plate 2 to input 2 etc. Zone plate ID number set by the user via the menu. Maximum of 1 zone plate per zone and a maximum of 8 plates per system.

Fig 2

Redback® A 4493 Input Source Selector Remote Plate

5.0 Connecting the A 4931 local Input Wall Plate to the A 4493 Zone Wall Plate.

The A 4931 local input wall plate provides a means of overriding the input to a zone with a local input source located in that zone. An example may be a mobile phone for background music or a microphone for speeches at a wedding function. The A 4931 local input plate has connections for a 3 pin XLR microphone, dual RCA line level input and a 3.5mm line level input for portable devices.

Fig 3. Front View of A 4931 Local Input Wall Plate



The A 4931 Local input plate has to be connected to the A 4493 Remote Source Selector plate for the zone. Each A 4493 remote plate can have a maximum of one A 4931 local input plate connected to it. Connection between the two plates is made via a Cat5e cable and is connected as shown in fig 4.

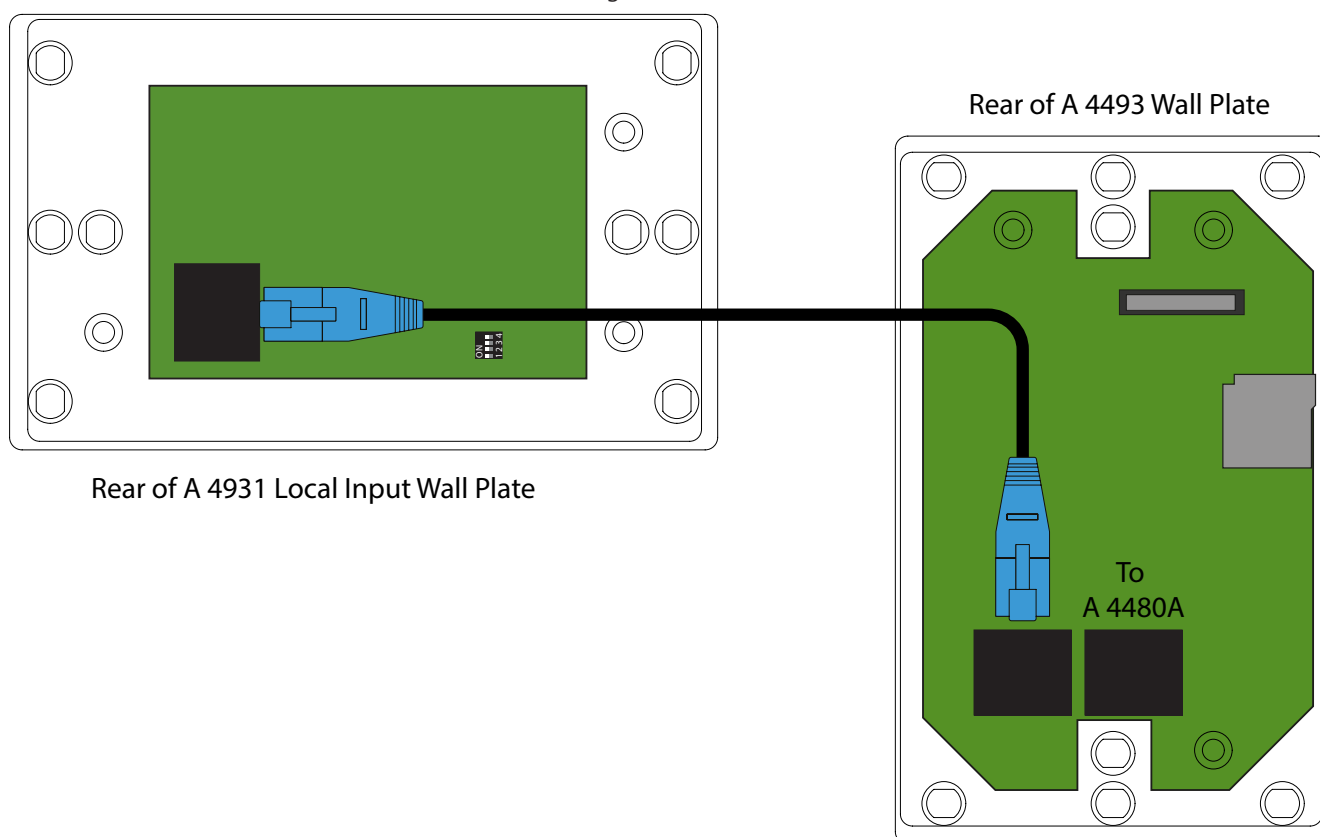


Fig 4. Connection of the A 4931 Local Input Wall Plate to the A 4493 Input Source Wall Plate

A 4931 DIP SWITCHES

The A 4931 has a set of DIP switches on the rear which determine how the VOX (voice operated switch) priority functions. The DIP switches are labelled 1) VOX BOTH, 2) VOX ENABLE, 3) VOX OUTPUT.

Dip switch 3 when set to ON, activates the VOX function. If this switch is in the OFF position the audio from the A 4931 will only override the A 4493 Input Source Wall Plate if the "Local Input" button has been selected on the A 4493 (see section 6.0 for details). In this mode the Mic and AUX/Music input from the A 4931 will be mixed - there is no priority.

If DIP switch 3 is set to ON then the following VOX priorities result from DIP switches 1 and 2 without the need for the "Local Input" button to be selected on the A 4493 Input Source Wall Plate.

DIP Switch 1 set to ON: The Mic and AUX/Music input will mix together and either will activate the VOX circuit. The audio from the A 4931 will then override the A 4493 zone input audio source.

DIP Switch 2 set to ON: The Mic only will activate the VOX circuit and mute the AUX/Music input if used. The audio from the A 4931 will then override the A 4493 zone input audio source.

6.0 Screen Layout Guide

Fig 5 shows the layout of the A 4493 LCD.

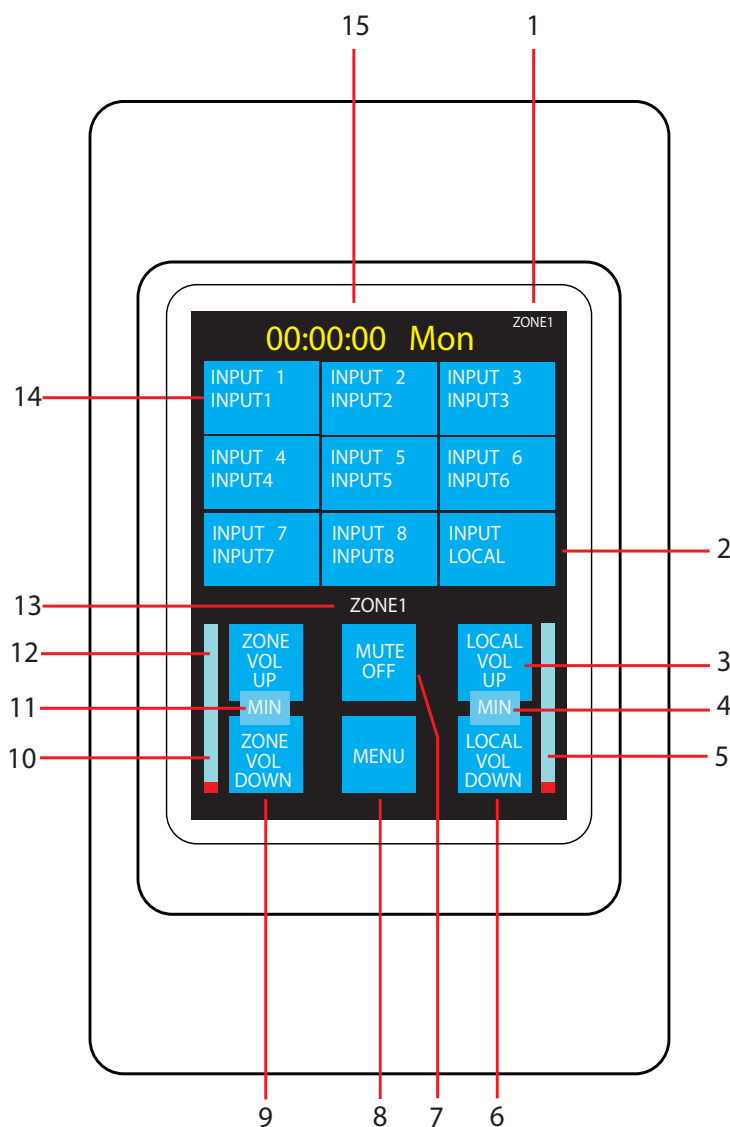


Fig 5.

- 1 Zone Label**
This is the actual zone ID for the wall plate. This is set by the user by accessing the “menu/change zone” option. Each wall plate connected to the A 4480 must have a unique ID which corresponds to the number of the port on the rear of the A 4480 that the wall plate is connected to.
- 2 Local Input Button**
Press this button to activate the local input. If an A 4931 local input wall plate is connected to the A 4493 wall plate then any audio from this plate will override the zone input. The button will change to red when active.
- 3 Local input volume up button**
Press this button to increase the local input volume.
- 4 Local input volume indicator**
The number signifies the actual local input volume level. This will display either a percentage figure or MIN when the volume is 0 or MAX when the volume is 100%.
- 5 Local input volume bar graph indicator**
This bar provides a quick visual indicator of the local input volume.
- 6 Local input volume down button**
Press this button to decrease the local input volume.

Redback® A 4493 Input Source Selector Remote Plate

- 7 Sound indicator button**
Press this button to mute/enable the sound. The button will change to red when the output is muted.
- 8 Menu button**
Use this button to enter the Menu functions. The menu screen is explained in section 7.0
- 9 Zone volume down button**
Press this button to decrease the zone volume.
- 10 Zone volume bar graph indicator**
This bar provides a quick visual indicator of the zone volume.
- 11 Zone volume indicator**
The number signifies the actual zone volume level. This will display either a percentage figure or MIN when the volume is 0 or MAX when the volume is 100%.
- 12 Zone volume up button**
Press this button to increase the zone volume.
- 13 Zone Label**
This is the label used to describe the room or location of the zone. Examples might be Alfresco, GYM, Bar etc. This label is loaded from the A 4480 on power up and is configured through the A 4480 with a USB keyboard.
- 14 Input selection buttons 1-8**
Use these buttons to select the desired input source.
- 15 Clock display**
This time and day display is local to this plate only and is set by accessing the "menu/change time" option (refer to section 7.0 for more details). This time needs to be set for each plate by the user and has no correlation to the A 4480 which has no time facility.
The time is backed up by the supplied CR2032 battery which needs to be inserted into the battery holder as shown in figure 1. Note the battery will backup the time for months only. Remove the battery if power is to be removed for long periods of time.

7.0 Navigating The Menu

The menu button provides access to a host of options which are listed below.

Note : Access to the Menu can be restricted with a Personal Identification Number (PIN). This is one of the options available via the menu.

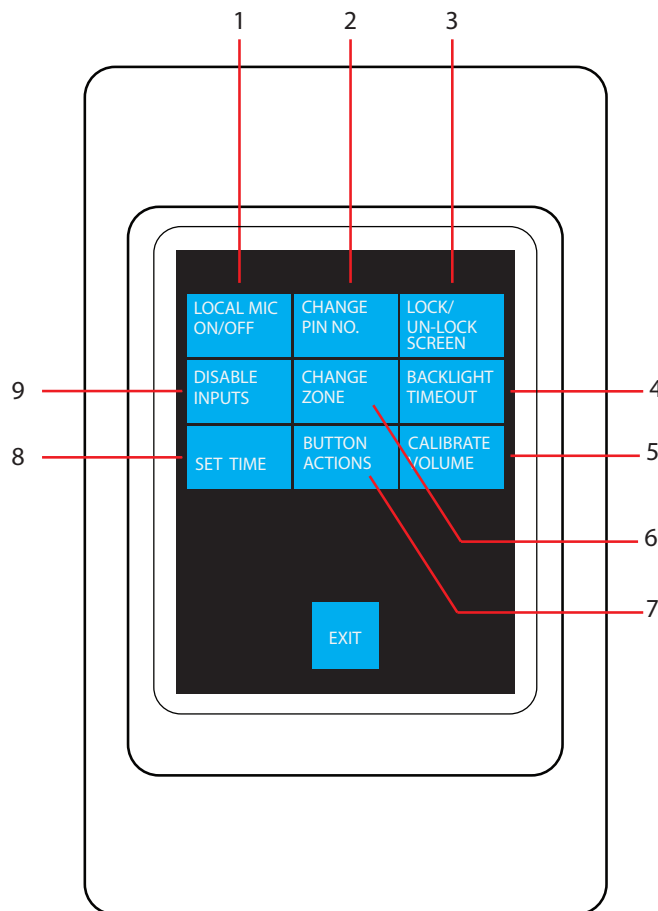


Fig 5. A 4493 Menu Screen

1) Local Mic On/Off

The local input from the optional A 4931 or A 4931 V wall plates can be enabled /disabled . Press the button and follow the prompts to disable/hide the local input button and volume controls. Once hidden the local input icon and volume bar will be blacked out. They are no longer accessiible from the main screen. To enable/show the local input press the button and follow the prompts.

2) Change Pin Number

A Personal Identification Number (PIN) can be set for access to the Menu function. The pin number can be changed by pressing this button and following the prompts.

3) Lock/Unlock Screen

There are two levels of user lockout available.

The first level locks the inputs so that the input source cannot be changed by pressing the input buttons on the LCD. Note : The volume and mute buttons are still accessible at this lockout level.

The second level locks out the entire wall plate so that none of the buttons function. Press the Lock/Unlock Screen button and follow the prompts.

4) Backlight Timeout

The time the backlight remains on after the screen has been touched can be adjusted. The time can be adjusted between 0 and 600 seconds. Setting the time to zero keeps the backlight on continually. Set the time to 1 sec and the backlight will turn off after 1 sec etc.

5) Calibrate Volume

This option has been made available in the event that the volume will not reach the full 100% maximum level or will not reach the 0% minimum level. Small adjustments can be made which shift the volume scale up or down.

Redback® A 4493 Input Source Selector Remote Plate

6) Change Zone (Wall plate ID)

Use this option to set the wall plate ID. This must be set to match the RJ45 port connection on the rear of the A 4480. E.g. if the wall plate is connected to port 1, the ID for the wall plate must be set to "1".

7) Button Actions

The buttons can be set to have visual, vibration and sound feedback by accessing this menu function.

There are three different actions available for button presses.

- BEEP - a buzzer will sound each time a button is pressed.
- HARPIC - the wall plate will vibrate each time a button is pressed.
- BACKLIGHT TOGGLE - the LCD backlight will toggle OFF and ON for each button press.

Each of these can be turned ON or OFF independently via this menu function.

8) Set Time

The time displayed on the main screen can be adjusted here. The hour, minute and day can be all be modified (Note: there is no seconds displayed). The time is backed up by a CR2032 battery (supplied).

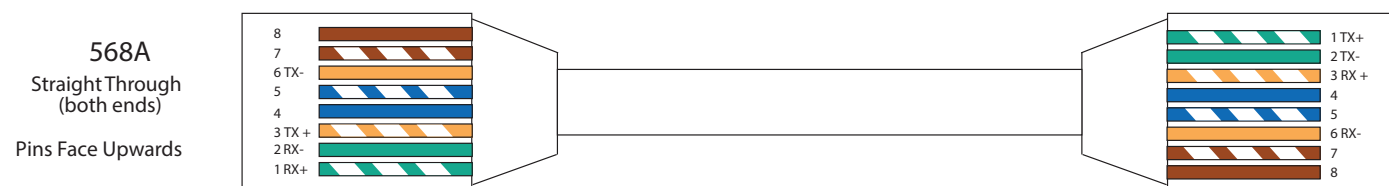
9) Disable Inputs

By using this function any of the eight input sources can be disabled, so that they are not available to the zone. Press the Disable Inputs button and then highlight the zones to be disabled. Once the inputs are disabled the buttons will be displayed in a light blue colour on the LCD. These highlighted buttons now inaccessible.

8.0 RJ45 cabling configuration for system components(586A 'Straight through')

System components are connected using "pin to pin" configuration RJ45 data cabling as shown below. When installing ensure all connections are verified with a LAN cable tester before switching any system component on.

Failure to follow the correct wiring configuration may result in damage to system components.



9.0 Firmware Update

It is possible to update the firmware for this unit by downloading updated versions (If available) from redbackaudio.com.au. NOTE: You will need a Micro SD card (not supplied) to perform the update.

To perform an update, follow these steps.

- 1) Download the Zip file from the website.
- 2) Source a Micro SD card and insert it into your PC.
- 3) Extract the contents of the Zip file to the root folder of the micro SD Card.
- 4) Rename the extracted .BIN file to update.BIN.
- 5) Remove the micro SD card from the PC following windows safe card removal procedures.
- 6) With the A 4480 power turned OFF, insert the micro SD card into the side of the A 4493.
- 7) Turn the A 4480 ON. The unit will check the micro SD card and if an update is required the A 4493 will perform the update automatically.

All Australian made Redback products are covered by a 10 year warranty.

Should a product become faulty please contact us to obtain a return authorisation number. Please ensure you have all the relevant documentation on hand. We do not accept unauthorised returns. Proof of purchase is required so please retain your invoice.