

Redback® A 5135 Four Input Microphone Hub



A 5135



A 5138

Operating Manual A 5135 Four Input Microphone Hub A 5138 Microphone Preamp Wallplate

Overview

The Redback® A 5135 Microphone Hub is specifically designed for small supermarket applications where industry standard supermarket 5 pin XLR microphones are used. The Hub has provision for a background music (BGM) source using standard dual RCA inputs. The BGM input is muted when any of the microphone inputs becomes active. A pre-announcement chime which is DIP switch selectable is available when the PTT function is activated by a microphone connected to any A 5138 microphone wallplate.

The A 5138 wallplate accepts a 5 pin balanced XLR microphone input (such as the C 0325 or C 0327) and converts the signal to a balanced high level output. The high level output signal is carried via Cat5e cable, (suitable for distribution up to 300m without interference) back to the A 5135 Hub. Up to four wall plates can be connected to the one Hub with each input configurable to either VOX or PTT muting.

Two modes of microphone priority are selectable via the DIP switches on the rear of the A 5135:

Cascade: Input 1 overrides 2-4, Input 2 overrides 3-4, Input 3 overrides 4.

FIBD: First In Best Dressed - Regardless of which input is being used, it automatically blocks out all other inputs.

A Busy LED on the A 5138 indicates when a wall plate has been overridden by another active wallplate.

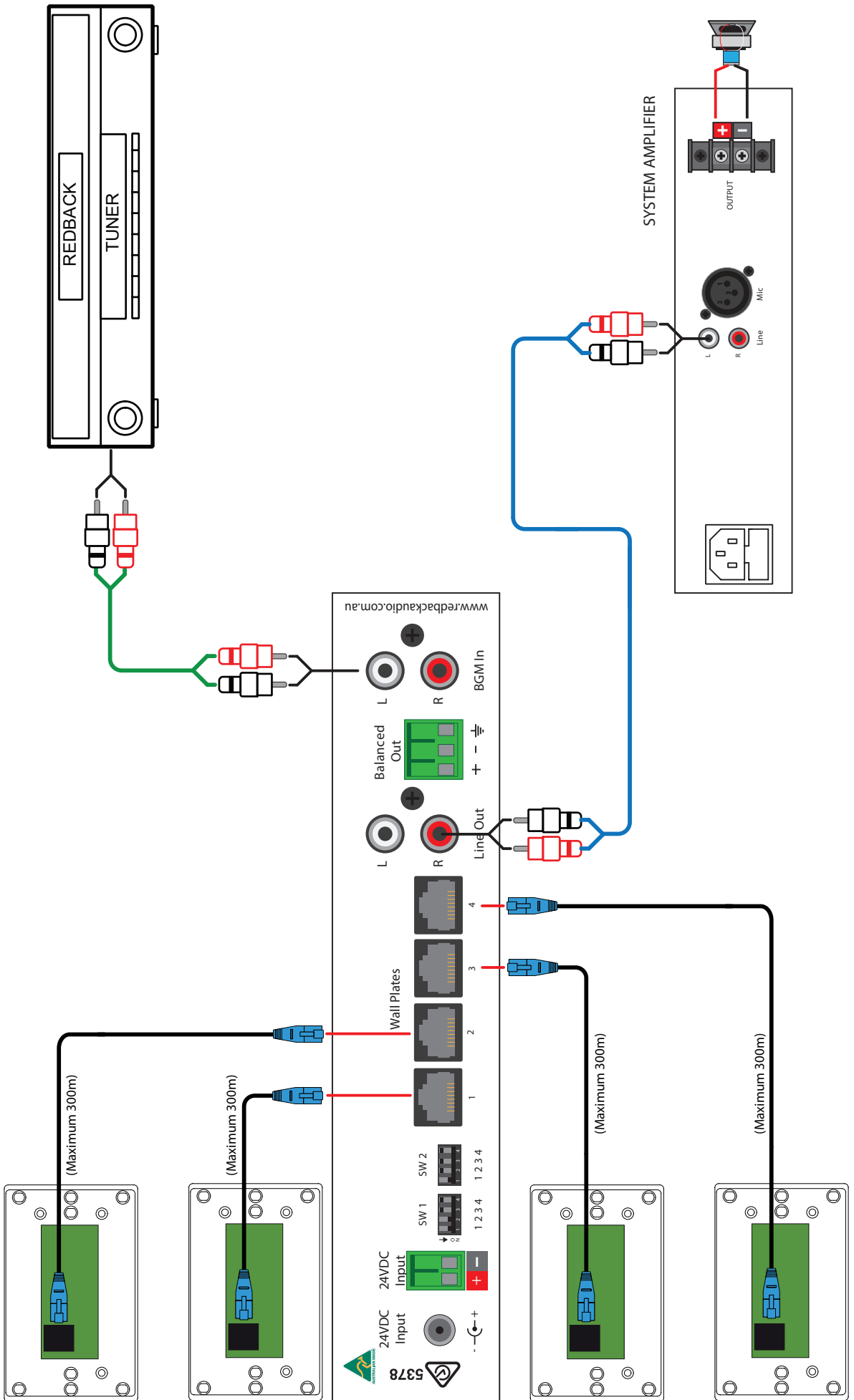
The A 5135 Hub has a dedicated input for each wall plate, with front mounted volume controls for each input. Active LED's and VOX sensitivity trimpots are available on the front of the A 5135 for each input. The pre-announcement chime and background music (BGM) volumes are also located on the front for ease of access. A line level (1V) dual RCA output and a balanced XLR output (line level) are included for output to an amplifier.

The Hub is powered by 24V DC from the supplied plugpack and the A 5138 wall plates receive power via the Cat5e cable from the A 5135.

CONNECTIONS

Figure 1 illustrates a typical wiring configuration for the A 5135 Hub.

In this example the line output is fed into the line input of the system amplifier. Switches 1 and 2 of SW1 are both set to ON (see DIP switch settings for more details). Switch 1 enables the PTT (Push To Talk) muting on the microphones connected to the A 5138 wall plates. Switch 2 enables the microphone priority to Cascade which signifies when the microphone on input 1 is activated it will override inputs 2-4, Input 2 will override inputs 3-4 and Input 3 overrides input 4. Switch 1 of SW2 is set to ON to enable the pre-announcement chime on the microphones. With this set ON any time a microphone PTT switch is used a pre-announcement chime will be active.



A 5135 DIP Switch Settings

The DIP switches on the rear of the unit configure the Priority mode, the muting options and enable the Pre-announcement Chime.

Note: The DIP switches are ON when they are in the down position.

SW1

Switch 1 is set ON to enable PTT (Push To Talk) muting and OFF to enable VOX (Voice Operated Switch) muting

Switch 2 is set ON to enable Cascade Mic Priority and OFF to enable FIBD Mic Priority

Switch 3 Not Used

Switch 4 Not Used

SW2

Switch 1 is set ON to enable the Pre-announcement Chime

Switch 2 Not Used

Switch 3 Not Used

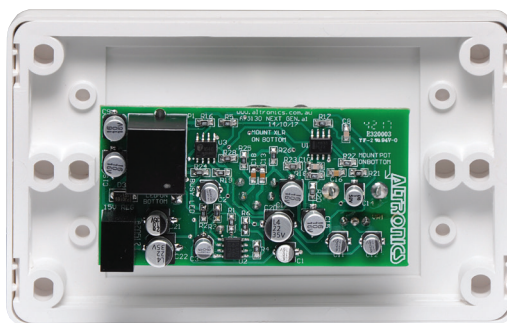
Switch 4 Not Used

A 5138 Wall Plate

The A 5138 Wall plate shown below has a standard 5 Pin XLR connector for connection of microphones with PTT switches. This connection is ideal for typical supermarket microphones such as C 0325 or C 0327 as shown below. The low output level of the microphone is converted to a high level output which is fed down the Cat5 cable to the A 5135. The output level can be adjusted by the volume control.



A 5138



Microphone Cable Connections

The wiring details when connecting a balanced 5 pin XLR microphone with PTT switch to the A 5138 Microphone Preamp Wallplate are shown below.

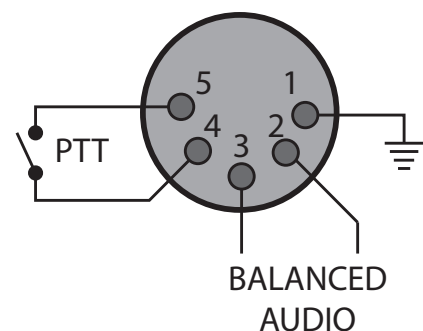
PIN 1 - Earth/Gnd

PIN 2 - Balanced Microphone +ve

PIN 3 - Balanced Microphone -ve

PIN 4 - PTT Switch

PIN 5 - PTT Switch

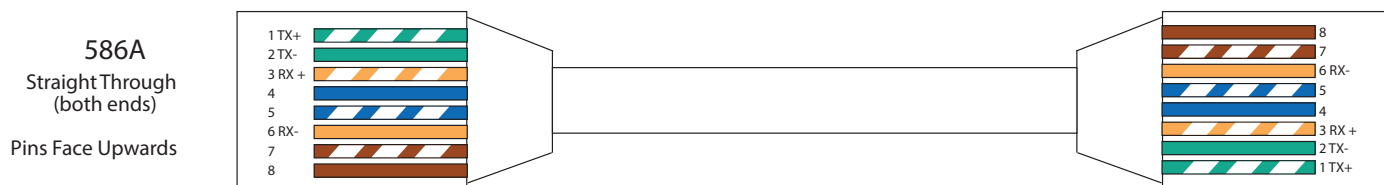


Redback® A 5135 Four Input Microphone Hub

RJ45 cabling configuration for system components (586A 'Straight through')

System components are connected using "pin to pin" configuration RJ45 data cabling as shown below. When installing ensure all connections are verified with a LAN cable tester before switching any system component on.

Failure to follow the correct wiring configuration may result in damage to system components.



Troubleshooting

NO Power (Power LED does not illuminate):

Check power supply DC jack is 2.1mm and not 2.5mm size.
Check polarity of 24V DC supply.

Wall plate not operating correctly:

Check RJ45 cabling is correct.

Microphone/Wall Plate not operating correctly:

Check microphone XLR cabling is correct.

A 5135 Specifications

BALANCED OUTPUT LEVEL: 1V

OUTPUT LINE LEVEL:.....1V

BGM INPUT LINE LEVEL:1V

OUTPUT CONNECTORS:

Audio Outputs:Dual RCA, Euroblock terminals

INPUT CONNECTORS:

Wall Plate Inputs:..... RJ45 8P8C

24V DC Power :.....2.1mm JACK (centre +ve)

24V DC Power :..... Euroblock terminals

BGM Input : Dual RCA

CONTROLS:

Volume1-4: Front Volume

Vox Sensitivity 1-4: Front Adjust

Chime Volume: Front Adjust

INDICATORS: BGM Active, PTT Muting,
VOX Muting, Cascade Mode, FIBD Mode, On

POWER SUPPLY: 24V DC @ 1 Amp

DIMENSIONS:≈..... 210W x 122D x 44H

WEIGHT: ≈..... 0.4 kg

A 5138 Specifications

INPUT MIC LEVEL SENSITIVITY:.....3mV

OUTPUT CONNECTOR: RJ45 8P8C

INPUT CONNECTOR:5 pin XLR balanced

All Australian made Redback products are covered by a 10 year warranty.

Should a product become faulty please contact us to obtain a return authorisation number. Please ensure you have all the relevant documentation on hand. We do not accept unauthorised returns. Proof of purchase is required so please retain your invoice.