

Product Guide**C 1060A** 40W Black Pendant Coaxial 2-Way Ceiling Speaker

C 1060A 40W Black Pendant Coaxial 2-Way Ceiling Speaker

- ✓ Ideal for high ceilings and open space environments.
- ✓ 100V line or 8 Ohm operation.
- ✓ Wide frequency & dispersion angle.
- ✓ High speech intelligibility.
- ✓ 40W high power tap provides flexibility for music installations.
- ✓ Includes ceiling rose for a neat finish.
- ✓ Black colour is ideal for bars, restaurants and cafes.



Application

A stylish pendant speaker for installations requiring a high power & SPL output. Ideally suited to high raked, suspended, concrete or exposed ceilings. Installation requires a single fixing with connection concealed within the ceiling rose provided. Fitted with 6.5" coaxial 2 way driver and high efficiency transformer. The excellent frequency response and power output is ideal for background music in retail stores, restaurants, bars and function venues.

Installation Guidelines

Ideally suited to areas where traditional loudspeaker installation is impractical, particularly in high ceiling environments where meeting a required attenuation level is difficult. A pendant speaker lowers the level of the sound source from the ceiling, allowing greater sound dispersion without the need to increase overall wattage output.

About Redback® Speaker Drivers

Each custom designed speaker and transformer combination has been specifically engineered to ensure a wide frequency range and dispersion angle, plus a high sound pressure level (SPL) ensuring excellent music and speech intelligibility; which is highly desirable.

Redback® drivers exhibit optimum frequency response and efficiency for BGM, paging and EWIS applications. The transformers are wound on professional grade grain oriented steel cores for high efficiency and extended frequency response.

Testing

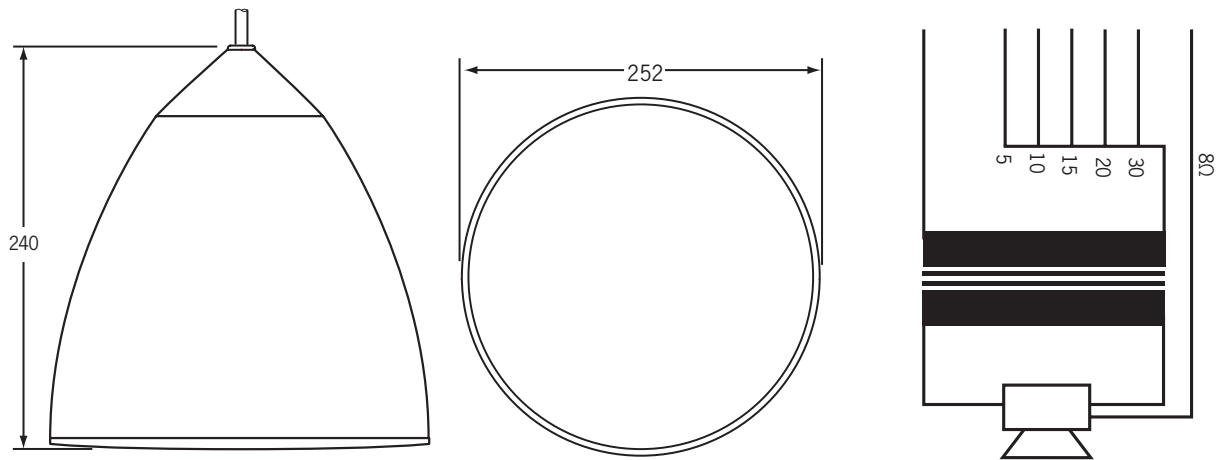
Redback® drivers are subject to strenuous factory testing reducing the risk of unit failure or performance reduction over time. Each driver has a power rating well above the max tapping of the transformer, ensuring reliable operation and excellent longevity.

Product Guide

C 1060A 40W Black Pendant Coaxial 2-Way Ceiling Speaker



Dimensions & Transformer Detail



Specifications

Electrical

Power taps:	3.8, 7.5, 15, 40W, 8 Ohm
SPL 1W @ 1m:	90dB @ 1kHz (+/- 2dB)
Frequency response:	50Hz-20kHz
Dispersion:	135° @ 1kHz
Connection:	Screw terminal
Driver:	6.5" woofer with 1" silk dome tweeter

Mechanical

Housing construction:	ABS
Cable length:	2m
Enclosure dimensions:	252Ø x 240Hmm
Overall weight:	2kg
Enclosure colour:	Black

Environmental

Operating temperature:	-30°C to +60°C
------------------------	----------------

Architect Specifications

The suspension mount pendant speaker shall have a 6.5" twin cone speaker driver which shall operate at 100V and 8 ohm, and have power taps of 40W, 15W, 7.5W, 3.8W and 8 ohm. It shall have SPL of 90dB. It shall have a frequency response of 50Hz to 20 kHz. The speaker body shall be made of black ABS and shall have a 2 meter suspension cable. The pendant speaker shall be a REDBACK model C 1060A.