

Product Guide**C 2124** 200mm (8") 45W 8Ω Coaxial Ceiling Speaker White**C 2174** 200mm (8") 45W 8Ω Coaxial Ceiling Speaker Black

200mm (8") Fast-Fix 2 Way Coaxial Ceiling Speakers

- ✓ Excellent speech intelligibility
- ✓ 2 way coaxial speaker driver
- ✓ High quality speaker driver developed for BGM and paging applications
- ✓ Flip-lock mounting system reduces installation time.
- ✓ Stylish ABS surround and aluminium mesh grille.
- ✓ 5 year warranty.

**Application**

C 2124 and C 2174 are standard 8 ohm speakers designed for direct connection to a stereo amplifier.

The high performance two way coaxial driver employed is ideal for background music in stores, boutiques, offices etc.

About Redback® Speaker Drivers

Each custom designed speaker has been specifically engineered to ensure a wide frequency range and dispersion angle, plus a high sound pressure level (SPL) ensuring excellent music and speech intelligibility; which is highly desirable.

Redback® drivers exhibit optimum frequency response and efficiency for BGM & paging applications.

Testing

Redback® drivers are subject to strenuous factory testing reducing the risk of unit failure or performance reduction over time. Each driver has a power rating well above the max tapping of the transformer, ensuring reliable operation and excellent longevity.

Installation Guidelines

Redback® "Fast-Fix" speaker utilise a time saving flip lock mounting method. It results in a finish with no visible screw heads or caps.

The flip lock tabs slide outwards as the speaker is screwed into the hole, securing the speaker to the ceiling material from the top side. Suitable for use with any 8-33mm ceiling tile, including gyprock, mineral fibre or fixed gyprock ceilings. We recommend a speaker hole of 238mm. This is easily cut using the T 2314 holesaw.

The neutral white RAL colour of C 2124 provides an architecturally unobtrusive finish to virtually any installation. C 2174 is fitted with a black grille for use on ceilings with a dark colour. Both models may be directly connected to a standard stereo amplifier.

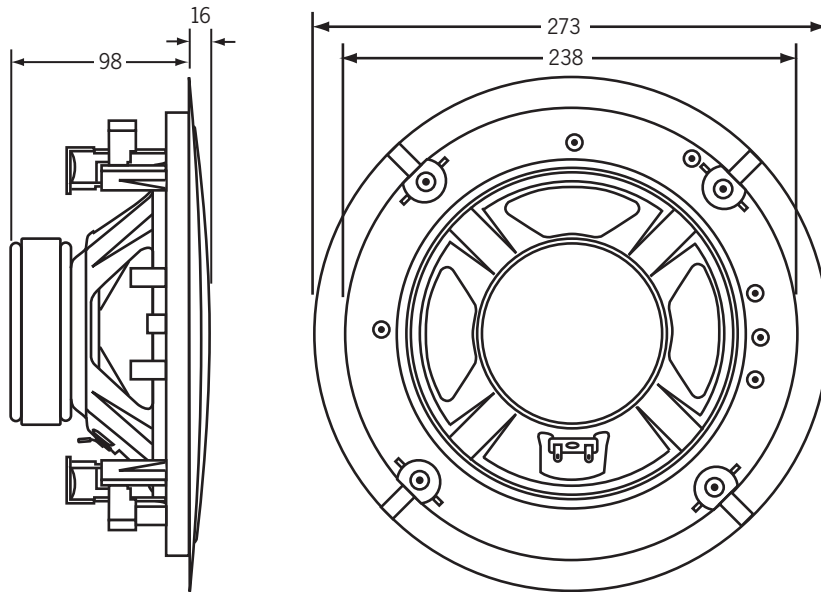
Product Guide

C 2124 200mm (8") 45W 8Ω Coaxial Ceiling Speaker White

C 2174 200mm (8") 45W 8Ω Coaxial Ceiling Speaker Black



Dimensions



Specifications

Electrical

Power:	45W Max
Impedance:	8Ω
SPL 1W @ 1m:	92dB @ 1kHz (+/- 2dB)
Frequency response:	40Hz-20kHz

Mechanical

Grille material:	ABS surround, aluminium mesh grille
Driver construction:	2 way coaxial, PECC cone
Ceiling cutout:	238Ømm
Grille diameter:	273Ømm
Mounting depth:	98mm (including ceiling tile thickness)
Overall weight:	1.9kg
C 2124 Colour:	White
C 2174 Colour:	Black

Environmental

Operating temperature:	-25°C to +55°C
Relative humidity:	< 95%

Additional Installation Accessories

T 2314 Adjustable 40-270mm holesaw

Architect Specifications

C 2124

The speaker shall be of 200mm diameter and rated at 45W. It shall have a SPL of 92dB (1W@1m). The speaker shall have an 8 ohm impedance. The speaker shall be attached to a white aluminium grill with ABS surround & flip-lock mounting mechanism. The speaker & grill combination shall be a Redback model C 2124.

C 2174

The speaker shall be of 200mm diameter and rated at 45W. It shall have a SPL of 92dB (1W@1m). The speaker shall have an 8 ohm impedance. The speaker shall be attached to a black aluminium grill with ABS surround & flip-lock mounting mechanism. The speaker & grill combination shall be a Redback model C 2174.