

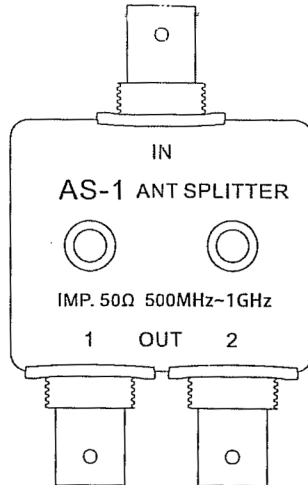
# Antenna Splitter / Combiner

## 1. Introduction

Thank you for purchasing our product of AS-1 Antenna Splitter / Combiner. The AS-1 Antenna Splitter / Combiner can be used as RF signal processor for wireless microphone system.

## 2. Product Description

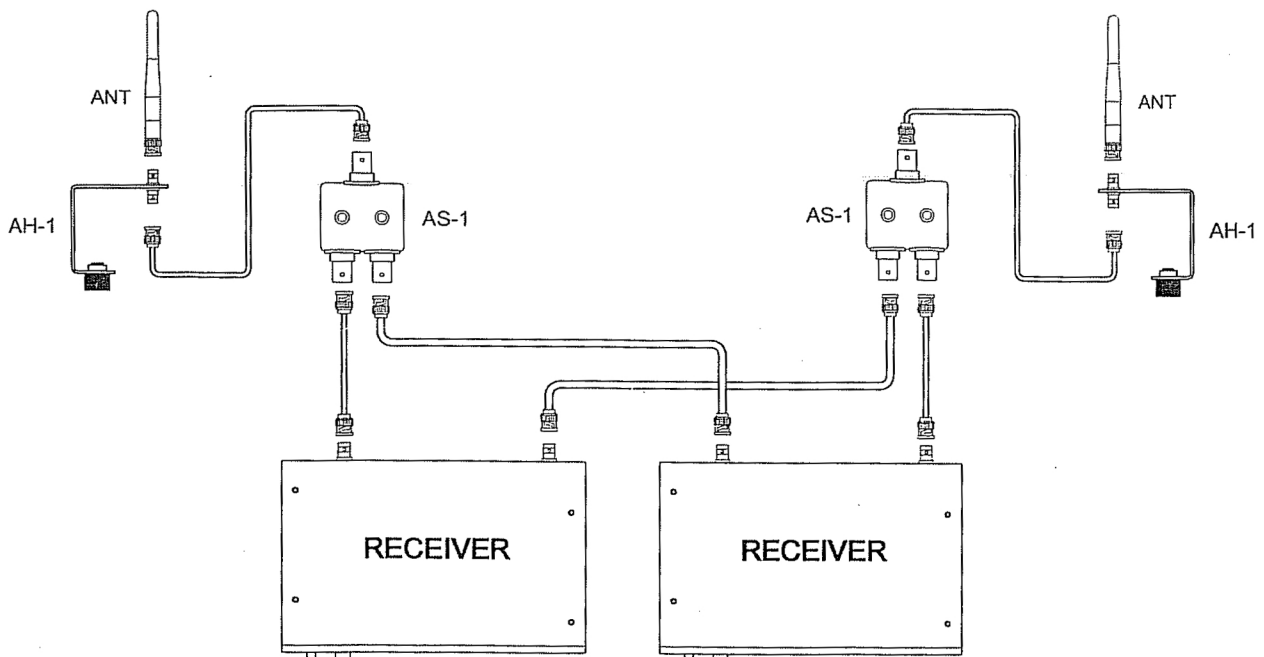
The AS-1 could be used to split an reception signal into two outgoing signals (one-input / two-output) or combine two reception signals into one outgoing signal (two-input, one out-put).



## 3. Application

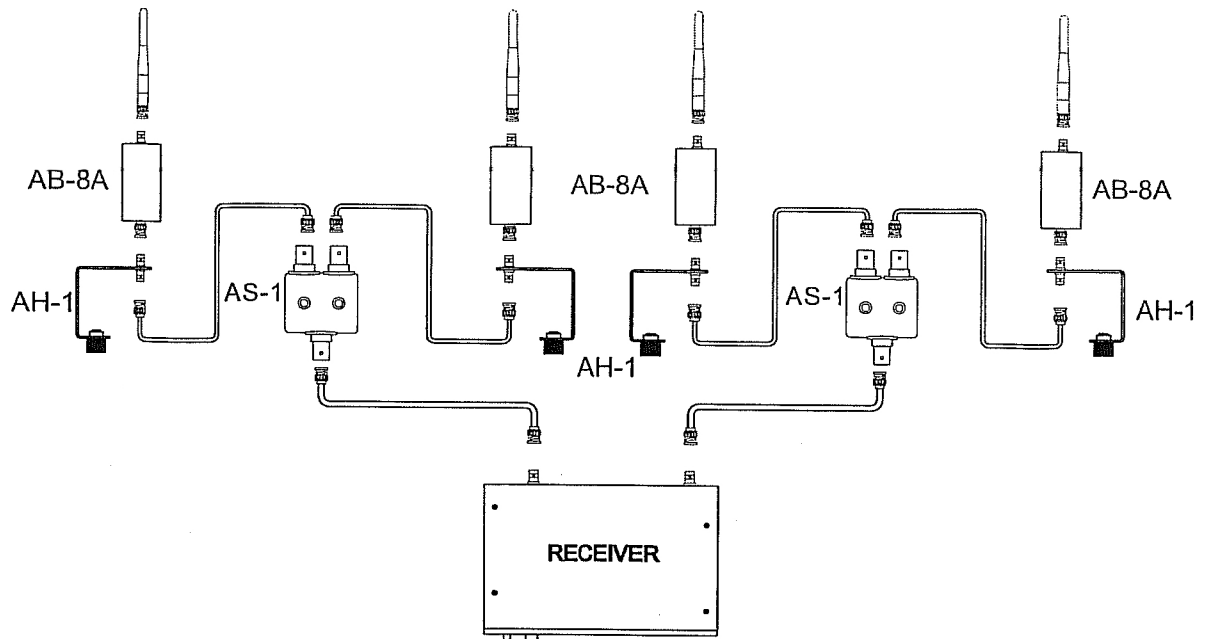
### 3.1 AS-1 Antenna Splitter setup

The AS-1 could be used to split each antenna signal for two receivers. (When an extending cable is used to connect with AS-1, the AB-8A Antenna Booster is required to enhance the RF signal strength and improve S/N ratio.)



### 3.2 AS-1 Antenna Combiner setup

For a wide area RF receiving circumstance, such as stadium, auditorium, school campus, stage, or multiple floor store, the AS-1 could be used to combine the multiple sources RF signals from antennas for the receiver. AS-1 also could enhance the reception quality and prevent the signal dropout. (When an extending cable is used to connect with AS-1, the AB-8A Antenna Booster is required to enhance the RF signal strength and improve S/N ratio.)



## 4. SPECIFICATIONS

➤ Frequency range	500MHz ~ 1GHz
➤ Voltage Standing Wave Ratio <VSWR>	< 2
➤ Input Impedance	50 ohms
➤ Isolation	12 dB
➤ Loss	< 4.5 dB
➤ RF connector	BNC Female type
➤ Dimension (mm) W*D*H	40 * 32 * 28