

Antenna Distribution System

FCC Statement

This device complies with part 15 of the FCC rules. Operation is subject to the following two conditions: (1) this device may not cause harmful interference and (2) This device must accept any interference received, including interference that may cause undesired operation.

Notice : The changes or modifications not expressly approved by the party responsible for compliance could void the user's authority to operate the equipment.

IMPORTANT NOTE: To comply with the FCC RF exposure compliance requirements, no change to the antenna or the device is permitted. Any change to the antenna or the device could result in the device exceeding the RF exposure requirements and void user's authority to operate the device.

1. Introduction

Thank you for purchasing our product. If you are configuring a large system, you might need the UHF antenna distribution system to manage additional antennas. The UHF antenna distribution system allows the expansion of wireless microphone systems by splitting one pair of antennas to multiple receivers. It also amplifies RF signals to compensate for insertion loss that results from splitting signal power to multiple outlets. A single antenna divider can support up to four wireless receivers.

2. Safety

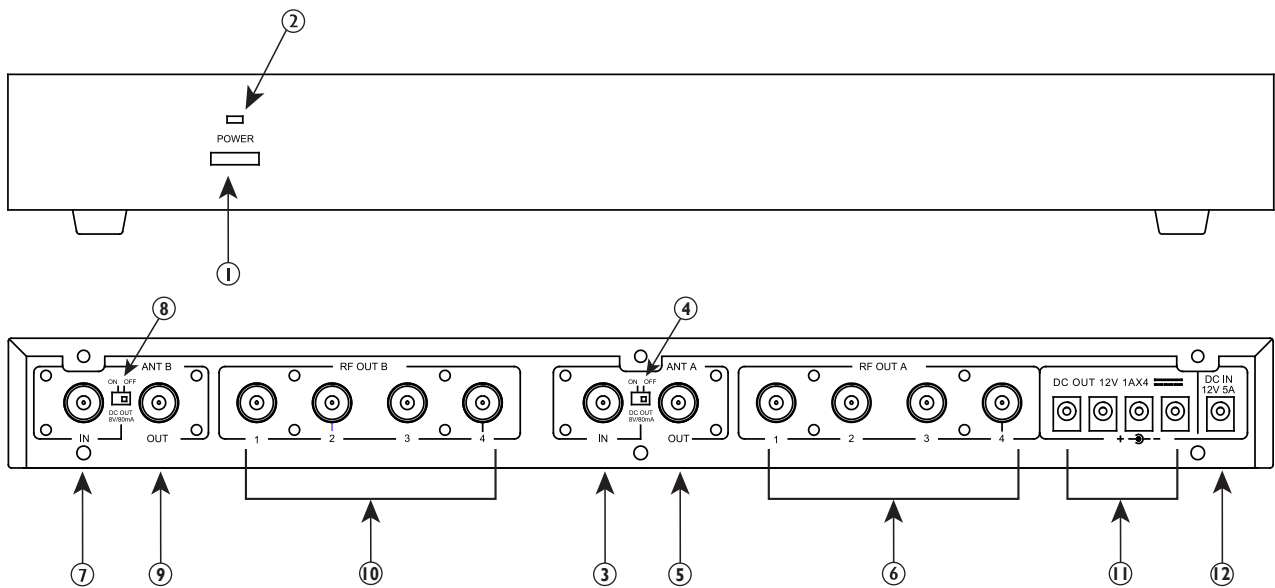
- Do not spill liquid on the appliance and do not drop it on a hard concrete floor.
- Do not place the appliance near heat sources such as radiators, amplifier, or etc.
- Do not expose it to direct sunlight, extremely dust, excessive moisture, or vibration.
- To prevent electric shock, do not remove the cover. There are no user-serviceable parts inside.
- Internal adjustments are for qualified professional only. Refer all servicing to qualified service personal.

3. Environment

- When disposing the equipment, remove the batteries, separate the case, circuit boards, and cables, and dispose of all components in accordance with local waste disposal rules.

4. Product Description

Antenna divider is a useful equipment to reduce the total number of antennas to one pair for every four receivers. It also supplies DC power to the 4 rack-mounted receivers.



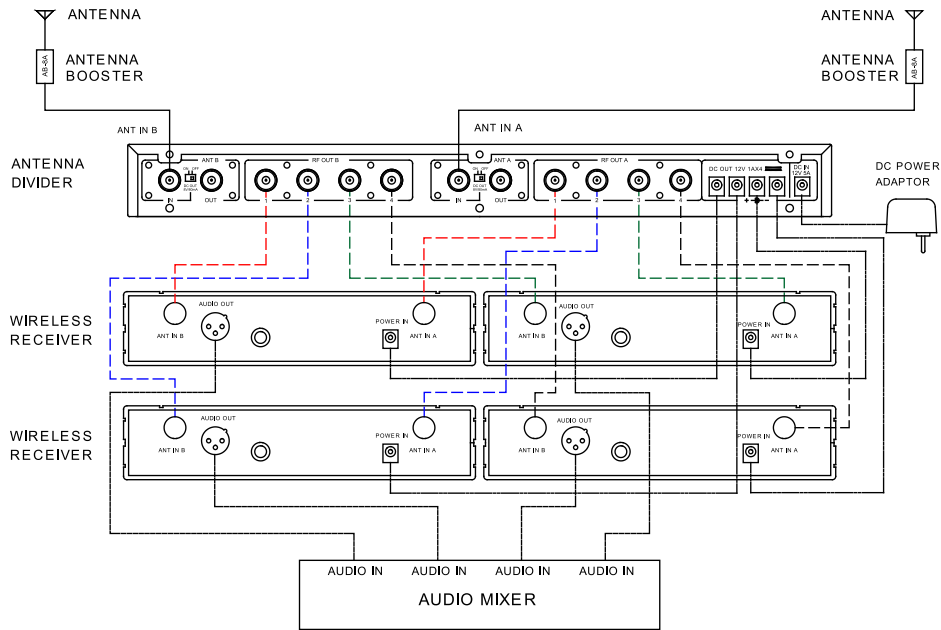
1. Power: Push to power on or off the antenna divider.
2. Power Indicator: LED indicates power on or off.
3. RF Input A, Antenna A: Provide connection to the supplied antenna A or to coaxial cable used with an antenna booster or detachable antenna.
4. Antenna A Power Switch: Switch on or off to supply +8V/80mA on the antenna A connector.
5. RF Cascade A output: Providing RF output to additional antenna distribution systems.
6. RF Output A: Distributing RF signals to receivers.
7. RF Input B, Antenna B: Same as # 2
8. Antenna B Power Switch: Switch on or off to supply +8V/80mA on the antenna B connector.
9. RF Cascade B output: Providing RF output to additional antenna distribution systems.
10. RF Output B: Distributing RF signals to receivers.
11. DC Output : DC output connector for distributing DC power to receivers.
12. DC Input: DC input connector for the DC input from supplied AC adapter.

5. Connections

Linking multiple receivers to antenna divider, please refer to following connections. The antenna booster is highly recommended for long-distance purpose, such as in stadium or in auditorium. By means of antenna holder, the antenna and booster can be install wherever you want. It is an ideal design for multi-channel application.

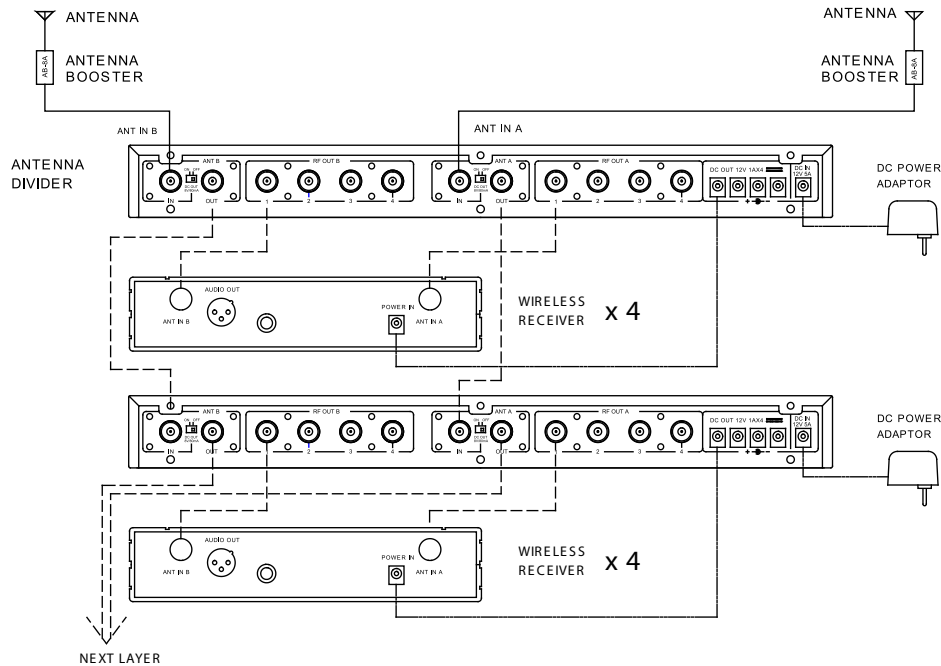
5.1 Single Layer Connection

Using single antenna divider to build a 4 receiver system. (Up to four receivers.)



5.2 Single Layer Connection

Using multiple antenna dividers to build a multiple layers system. In each layer, each antenna divider can connect up to 4 receivers.



6 SPECIFICATIONS

- Frequency range : 520~928MHz
- Gain range : 3dB±0.5dB
- Input Impedance : 50 ohms
- Output Impedance : 50 ohms
- Power Input : DC 12 ~ 18V, 3A Switching Power Supply
1 DC Input, 4 DC Output
- RF Output Terminal : 2 RF Input and 2 RF Output divided into
8 RF Output
- Antenna DC Output : DC 8V (80mA) for each antenna booster connection
- Case : 19" Metal Case
- Dimension (mm) W*D*H : 420 * 180 * 44