

**Product Guide****CF0705** Surface Mount Speaker 100mm (4") 100V 5W AS ISO7240.24 White**CF0706** Surface Mount Speaker 100mm (4") 100V 5W AS ISO7240.24 Black

## One-Shot® Surface Mount EWIS Fire Ceiling Speakers

- ✓ Designed to meet AS ISO7240.24:2018 for fire/evac installations
- ✓ Requires no external EQ for AS ISO7240.24:2018 fire systems
- ✓ Excellent speech intelligibility
- ✓ High quality speaker driver developed for BGM, paging and emergency warning applications
- ✓ Fitted with 4 way wire protect terminal block for loop in, loop out wiring as required by Australian Standards.
- ✓ Fitted with supervisory capacitor for line monitoring.
- ✓ High impact enclosure & grille.
- ✓ Australian designed & assembled.
- ✓ 5 year warranty.



### Application

A surface mount fire speaker featuring flame retardant housing material and PA driver to suit the new approval requirements. Requires no external equalisation to meet the AS ISO 7240.24:2018 standard. One-Shot design simply snap-fits in seconds to the surface mounting ring, reducing installation time considerably.

### Manufacturing & Performance

Redback® drivers are engineered and manufactured to stringent specifications ensuring maximum reliability under all operating conditions. Each driver has a power rating well above the max tapping of the transformer, ensuring reliable operation and excellent longevity. A strict quality control procedure is employed during every step of the manufacturing process. Finally, every finished speaker is 100% QC checked prior to shipping.

### About Redback® Speaker Drivers

Each custom designed speaker and transformer combination has been specifically engineered to ensure a wide frequency range and dispersion angle, plus a high sound pressure level (SPL) ensuring excellent music and speech intelligibility; which is critical for emergency paging applications.

Each transformer is fitted with multiple power settings which are user selectable via taps on the transformer.

### The Labour Saving One-Shot® Mounting System

Redback® "One-Shot®" speaker units install in seconds providing substantial labour cost savings for the professional installer compared to traditional mounting methods.

They simply snap fit to the outer mounting ring by means of the integral pressure clips. The snap clip material is formulated to retain long service life strength and spring action, ensuring a firm vibration free fit.

Speaker cable entry can be either from the rear, or via surface mounted conduit (four 19mm conduit knockouts are provided).

The neutral white RAL colour of CF0705 provides an architecturally unobtrusive finish to virtually any installation. CF0706 is fitted with a black grille for use on ceilings with a dark colour.

The transformer is fitted with a 4 way wire protect screw terminal block. This is suitable for loop in, loop out cabling.

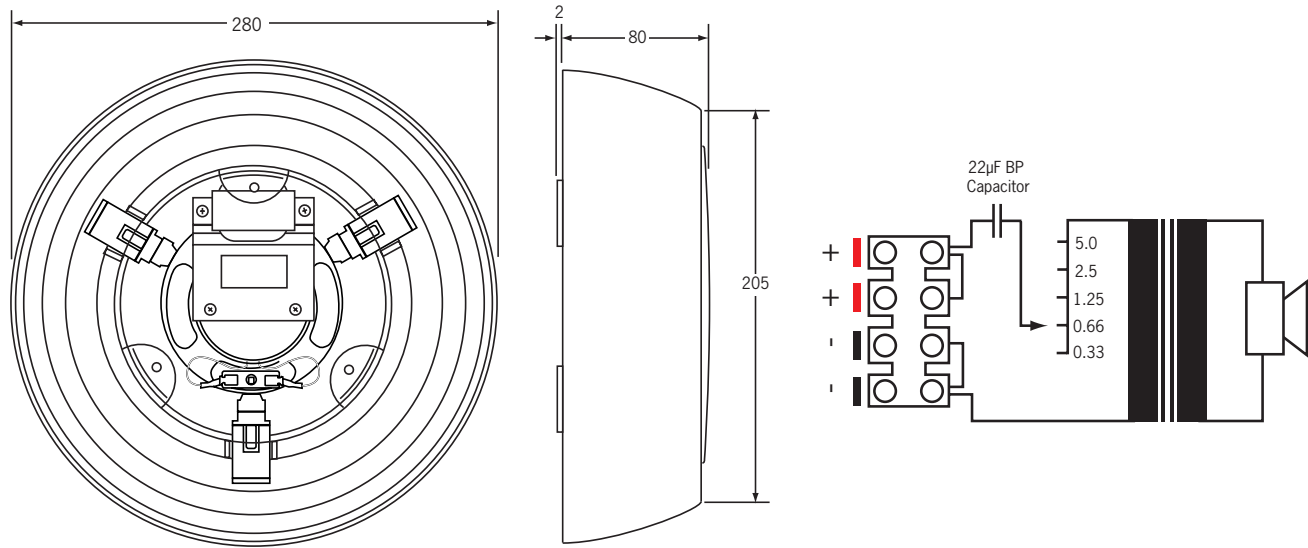
## Product Guide

**CF0705** Surface Mount Speaker 100mm (4") 100V 5W AS ISO7240.24 White

**CF0706** Surface Mount Speaker 100mm (4") 100V 5W AS ISO7240.24 Black



### Dimensions & Transformer Detail



### Specifications

#### Electrical

Rated Noise Power:	5 Watts (100V line)
100V Power Taps & Impedance:	0.33W (30kΩ), 0.66W (15kΩ), 1.25W (8kΩ), 2.5W (4kΩ), 5W (2kΩ)
Sensitivity:	91dB (1W @ 1m), 79dB (1W @ 4m)
Maximum Sound Pressure Level:	97dB (5W @ 1m), 85dB (5W @ 4m)
Frequency Response:	100Hz – 15kHz
Coverage Angle (-6dB):	500Hz: >180°, 1000Hz: 155°, 2000Hz: 120°, 4000Hz: 80°
Environmental Type:	A (for indoor applications as per standard)
Line Monitoring:	Yes, 22µF bipolar capacitor
Applicable Cable:	2.5mm <sup>2</sup> (14AWG) max conductor area
Connection:	4 way screw terminal

#### Mechanical

Speaker Component:	100mm (4") paper cone speaker
Material:	Flame retardant ABS grille and housing (Taitalac 8540T) Clear Flame retardant ABS spring clips (Makrolon 6557)
Mounting Method:	Surface Attachment
IP Rating:	IP 21C
Dimensions:	280Ø x 80mm
Weight:	0.9kg

### Architectural Specifications

#### CF0705

The surface mount speaker shall have a 100mm speaker driver which shall operate at 100V and have power taps of 5W, 2.5W, 1.25W, 0.66W and 0.33W. It shall be approved to the AS ISO7240.24:2018 fire and evacuation announcement standard. It shall be fitted with a 4 way wire protect terminal block for connection and 22uf bipolar capacitor for line monitoring. It shall have a SPL of 91dB (1W @ 1m). The speaker body shall be made of white flame retardant plastic and shall be surface mounted with concealed fixings. The surface mounting ring shall be provided with side and rear knockouts for conduit entry. The speaker driver shall be attached to the grill which shall be snap-fit attached to the surface mount ring. The ceiling mount speaker shall be a Redback model CF0705.

#### CF0706

The surface mount speaker shall have a 100mm speaker driver which shall operate at 100V and have power taps of 5W, 2.5W, 1.25W, 0.66W and 0.33W. It shall be approved to the AS ISO7240.24:2018 fire and evacuation announcement standard. It shall be fitted with a 4 way wire protect terminal block for connection and 22uf bipolar capacitor for line monitoring. It shall have a SPL of 91dB (1W @ 1m). The speaker body shall be made of black flame retardant plastic and shall be surface mounted with concealed fixings. The surface mounting ring shall be provided with side and rear knockouts for conduit entry. The speaker driver shall be attached to the grill which shall be snap-fit attached to the surface mount ring. The ceiling mount speaker shall be a Redback model CF0706.