

SONANCE

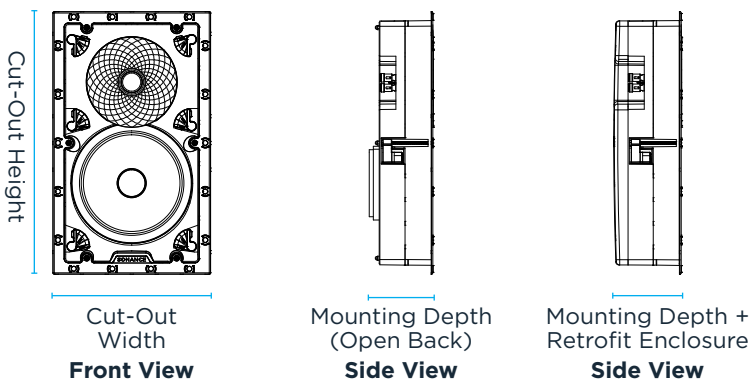
VISUAL EXPERIENCE DATA SHEET

VX82 | VX86

TECHNICAL SPECIFICATIONS

	VX82	VX86
SKU	96006 - Pair	96007 - Pair
Tweeter	1.2" (30mm) cloth dome, Ferrofluid-cooled, acoustic back chamber	1.2" (30mm) ceramic dome, Ferrofluid-cooled, acoustic back chamber
Woofer	8" (203mm) textured polypropylene cone, rubber surround	8" (203mm) Kevlar/Nomex cone, rubber surround
Dispersion Technology	Sinusoidal textured waveguide	Sinusoidal textured waveguide
Frequency Response	38Hz - 20kHz +/-3dB	34Hz - 20kHz +/-3dB
Impedance	8 ohms nominal; 6 ohms minimum	8 ohms nominal; 6 ohms minimum
Power Handling (RMS)	5 watts minimum; 125 watts maximum	5 watts minimum; 150 watts maximum
Sensitivity (2.83V/1m)	90dB SPL	91dB SPL
Mounting Technology	Flex Frame 1- or 2-stage, 6 RotoLock® Clamps	Flex Frame 1- or 2-stage, 6 RotoLock® Clamps
Micro Trim Grille (WxH)	9.72" x 15.87" (246.8mm x 403.1mm)	9.72" x 15.87" (246.8mm x 403.1mm)
Trimless Grille (WxH)	9.37" x 15.52" (238.0mm x 394.3mm)	9.37" x 15.52" (238.0mm x 394.3mm)
Speaker Mounting Depth (D)	3.64" (92.4mm)	3.64" (92.4mm)
Mounting Depth + Retrofit Encl.	3.86" (98.1mm)	3.86" (98.1mm)
Cut-Out Dims (WxH)	8.5" x 14.5" (216mm x 368mm)	8.5" x 14.5" (216mm x 368mm)
Shipping Weight	20 lbs. (9kg)	20 lbs. (9kg)

DIMENSIONAL DRAWINGS



VX 8" RECTANGLE ACCESSORIES

VX8-GRILLE-T	8" Micro Trim Rectangle Grille / Pair	93583
VX8-GRILLE-NT	8" Trimless Rectangle Grille / Pair	93584
VX8-ENCL	8" Rectangle Enclosure / Pair	96242
FLEXBRK-8	8" Rectangle Flex Bracket / 5x Pair	92246

LIMITED LIFETIME WARRANTY

Sonance warrants to the first end-user purchaser that this Sonance-brand product ("Product"), when purchased from an authorized Sonance Dealer/Distributor, will be free from defective workmanship and materials for the life of the Product, except for the grille, which is warranted for five (5) years. Sonance will at its option and expense either repair the defect or replace the Product with a new or remanufactured Product or a reasonable equivalent. ©2024 Sonance. All rights reserved. Sonance is a registered trademark of Dana Innovations. Due to continuous product improvement, all features and specifications are subject to change without notice. For the latest Sonance product specification information visit our website at www.sonance.com. 991 Calle Amanecer • San Clemente, CA 92673 USA • Phone: (949) 492-7777 • Fax: (949) 361-5151 • Technical Support: (949) 492-7777 01.16.2024