

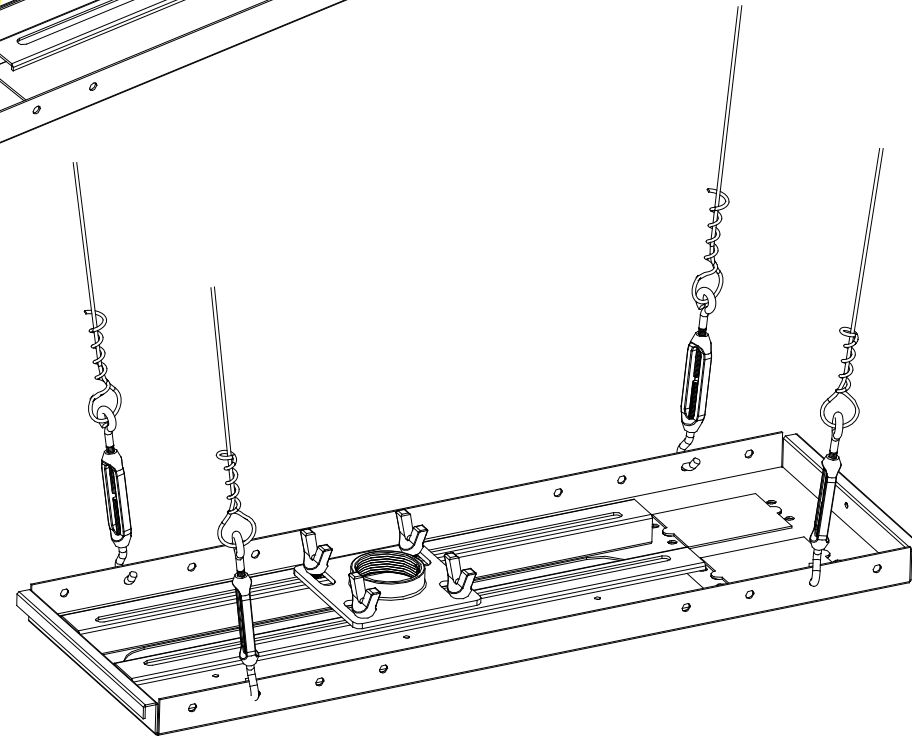
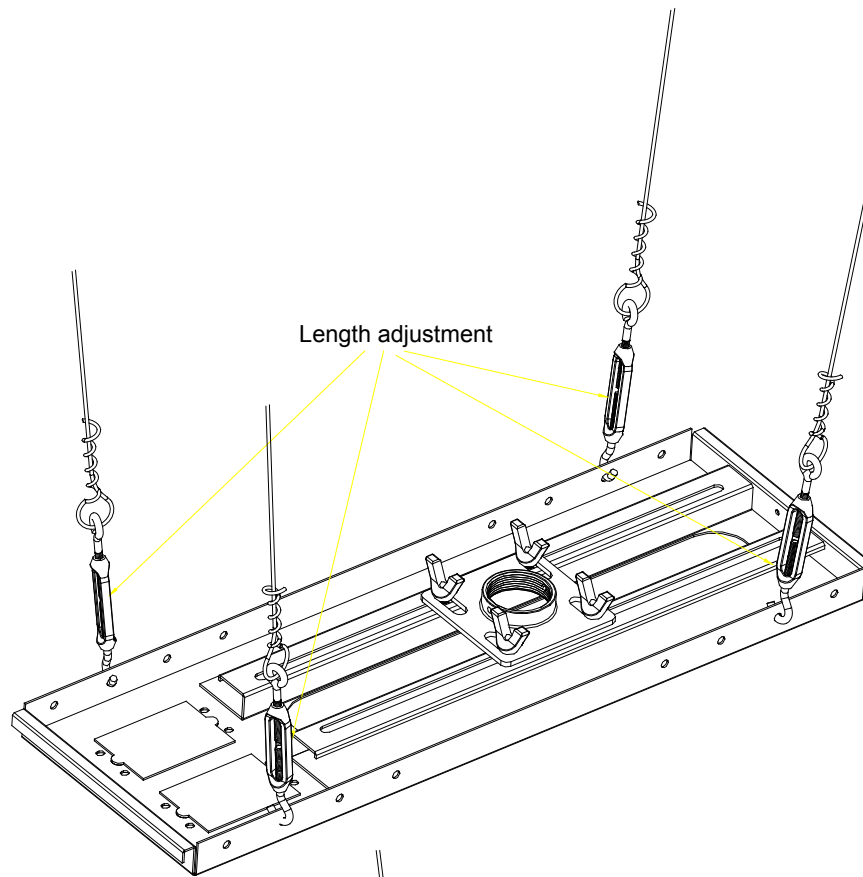
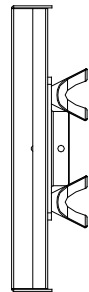
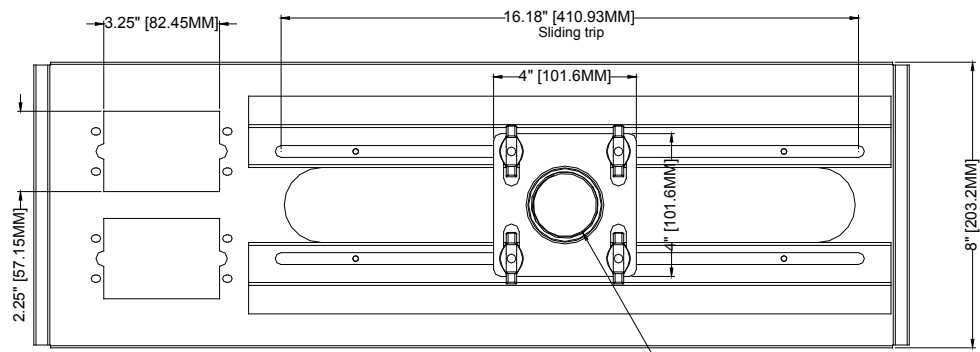
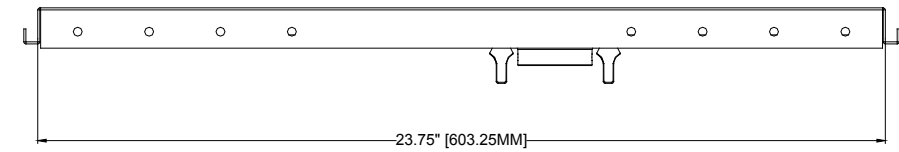
8 7 6 5 4 3 2 1

D

C

B

A



8 7 6 5 4 3 2 1

D

C

B

A

TITLE: CUSTOMER PRINT



SIZE	DWG. NO.	REV
B	SM-CEILING-SCA-WH	C

PROPRIETARY AND CONFIDENTIAL

THE INFORMATION CONTAINED IN THIS DRAWING IS THE SOLE PROPERTY OF STRONG MOUNTS AND LIFTS. ANY REPRODUCTION IN PART OR AS A WHOLE WITHOUT THE WRITTEN PERMISSION OF SNAP AV IS PROHIBITED

NOT TO SCALE SHEET 1 OF 1