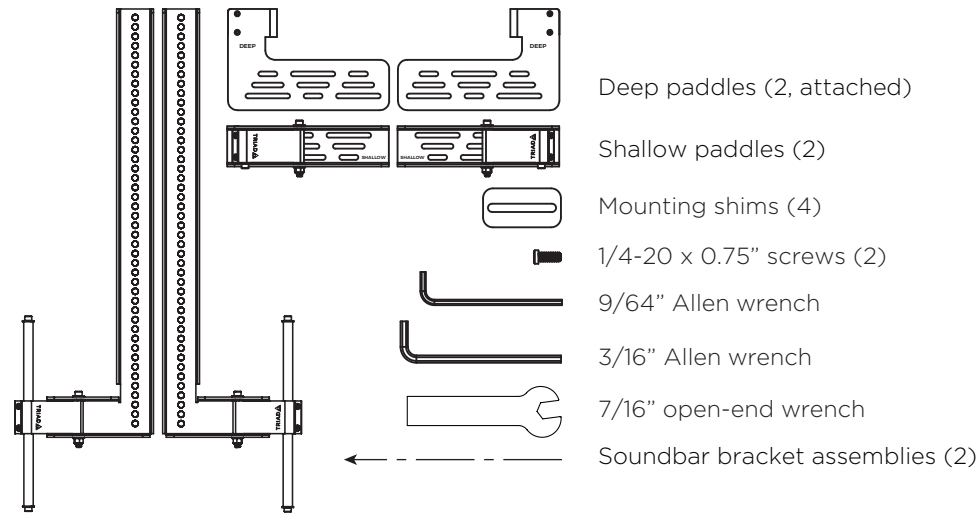


TRIAD INSTALLATION GUIDE - SOUNDBAR TV BRACKET

INTRODUCTION

The Triad TS-BKT-SBTV Soundbar TV Bracket is designed to attach a Triad Micro or Mini Soundbar to a flat-panel TV that is mounted to a wall with a VESA-compliant articulating (full-motion) wall mount. The TS-BKT-SBTV allows the soundbar to be positioned directly below the TV and move "as one" with the movement of the TV. The TS-BKT-SBTV also allows for the soundbar to be adjusted (forward, backward, left, and right) so that the front of the soundbar is flush and in-line with the front edge of the flat-panel TV.

IN THE BOX



SUPPORTED MODELS

Model number	Triad Soundbar TV Bracket, TS-BKT-SBTV
Supported soundbar models	All full-size Triad Micro and Mini Soundbars
Supported TV mounts	Most articulating (full-motion) UL-certified mounts

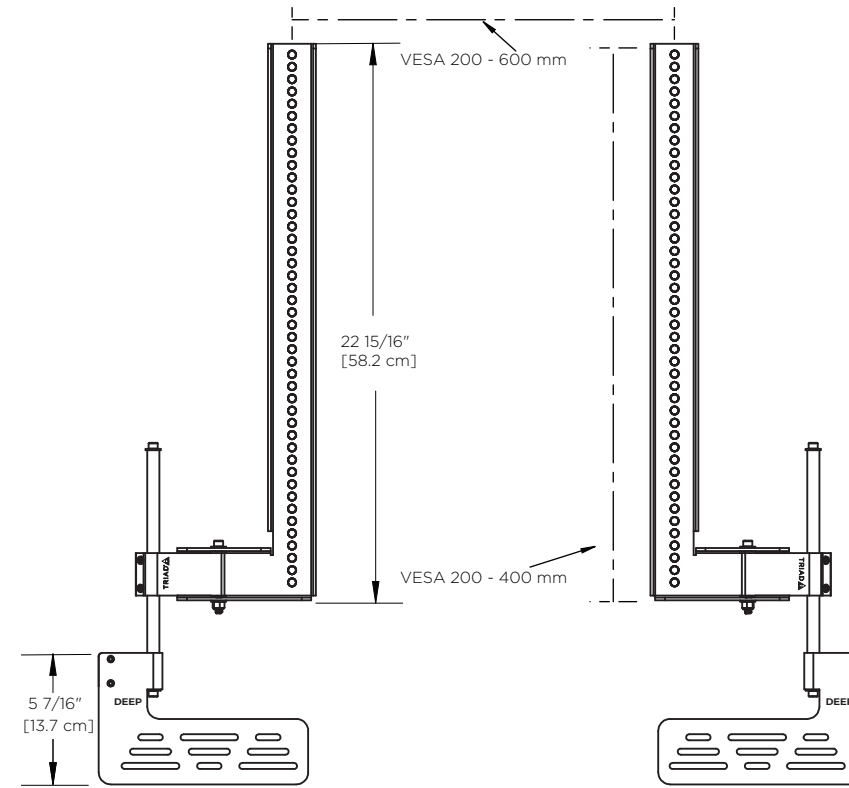
WARRANTY

Limited Hardware Warranty—Triad Speakers warrants its hardware product to be free from defects in material and workmanship during the warranty period. If the hardware proves to be defective in material or workmanship during the warranty period, Triad Speakers will, at its sole option, repair or replace the product with a like product. The warranty extends only to products purchased directly from Control4 Corporation or an Authorized Control4 Dealer. For complete limited warranty information, including details on purchaser legal rights as well as limited warranty exclusions, visit <http://triadspkr.com/warranty>.

Return Merchandise Authorization (RMA) information
For Sales RMAs contact your Inside Sales Associate. Your ISA information can be found in the My Account section of the Dealer Portal under Control4 Contacts.

Technical Support information
Phone: 503-517-2668
Hours: 9:00 a.m. - 5:30 p.m. PST (Monday - Friday)
Email: service@triadspeakers.com

DIMENSIONS - Soundbar TV Bracket



SPECIFICATIONS

Supported VESA patterns	200 - 600 mm × 200 - 400 mm
Product weight	10 lb / 4.5 kg
Shipping weight	15 lb / 6.8 kg
Bracket material	3 mm P&O steel
Mounting shim dimensions	40 × 80 × 8 mm

NOTICE / CAUTIONS

Important: The TS-BKT-SBTV has been designed to hold and support the weight of Triad's largest and heaviest soundbars. This bracket should only be used with articulating TV wall mounts that have met a third-party safety certification (example: UL Certified).

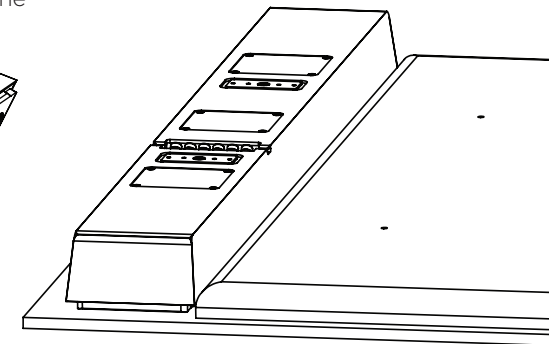
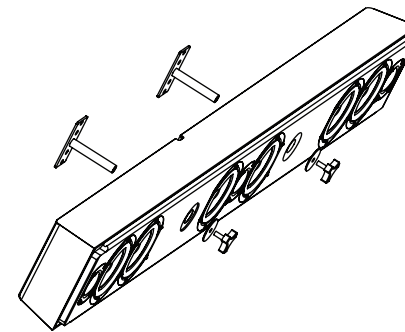
Important: The TS-BKT-SBTV physically attaches between the TV and the TV wall-mount bracket. Carefully check the TV mount's manual for maximum weight allowed / recommended. Add up the weights of all items: TV + Soundbar + TS-BKT-SBTV and confirm before proceeding with the use of this bracket.

Warning! Pinch points—There are moving / hinged parts on the TS-BKT-SBTV that can cause a pinch while installing. These will be called out in this manual with the following indication:

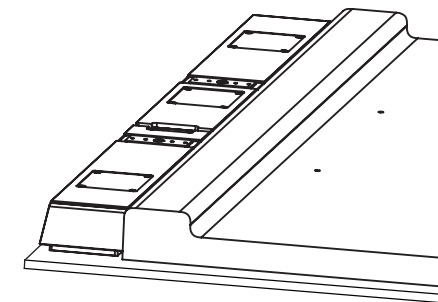


INSTALLATION

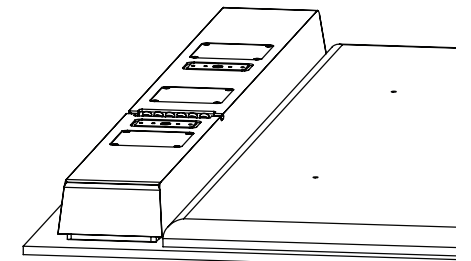
- 1 Install the EZ Mount posts and knobs supplied with the soundbar. (If soundbar has 4 holes, use the two center holes as shown.)
- 2 Lay TV and soundbar "face down" on a protected work surface.



- 3 Decide if you need the deep paddles or the shallow paddles. The bracket is shipped with the deep paddles installed.

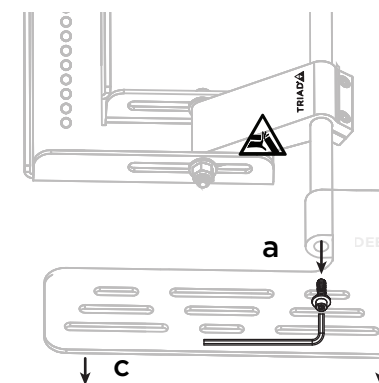


Shallow option: Soundbar is thinner than thickest part of TV

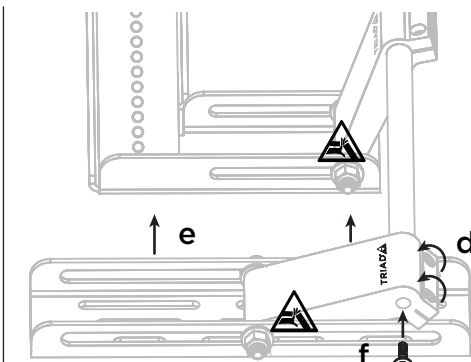


Deep option: Soundbar is thicker than thickest part of TV

- 4 Shallow only—Swap lower section of soundbar bracket over to shallow paddles.



- a Remove the nut on the end of the bar using the provided wrench.
- b Loosen the nuts on the paddle if needed.
- c Remove the deep paddle from the rest of the bracket.

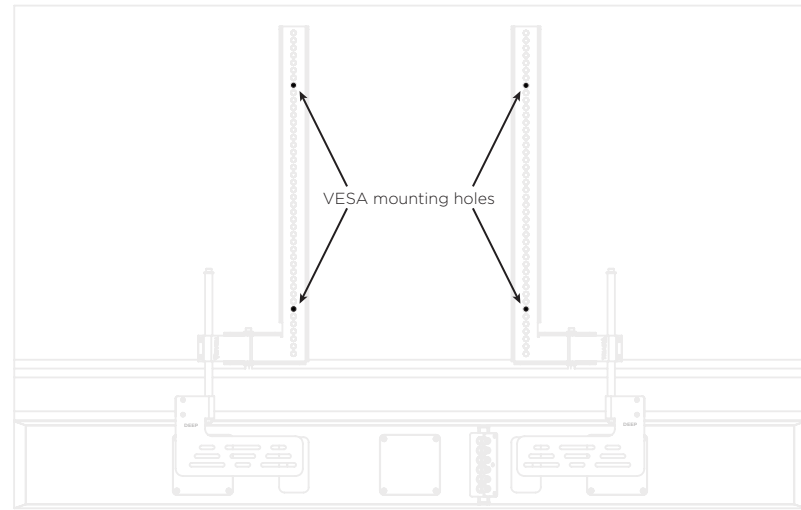


- d Loosen the nuts on the shallow paddle if needed.
- e Add the shallow paddle onto the bar.
- f Secure the deep paddle by replace the nut on the end of the bar and tightening the nuts.

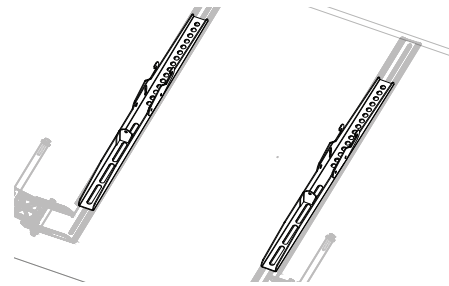
TRIAD INSTALLATION GUIDE - SOUNDBAR TV BRACKET

INSTALLATION, cont.

- 5** Place soundbar bracket assemblies with the shallow or deep paddles attached on the back of your TV. Line the vertical brackets up with the VESA mounting holes on the back of your TV.



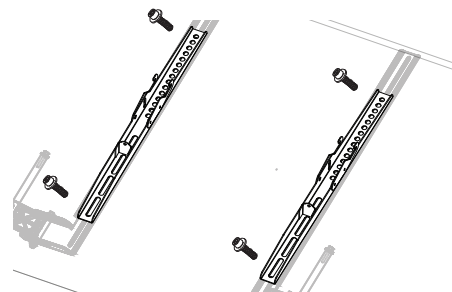
- 6** Add your TV wall-mount brackets. The soundbar bracket rails are designed so that most wall-mount brackets will fit inside the rails.



Optional: If your TV mounting rails do not fit inside the soundbar bracket rails (or your TV mount is the flat plate style), add mounting shims between the brackets to give a solid / flat mounting surface for the TV mount.

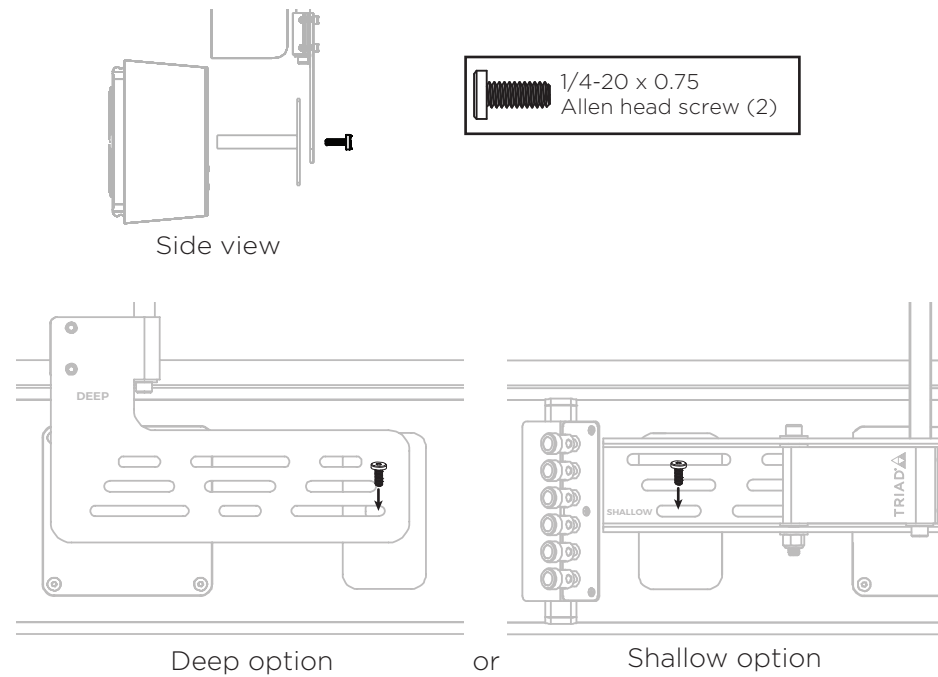


- 7** Using the accessories package and instructions supplied with the TV wall-mount bracket, choose the appropriate mounting bolts needed to attach both the TV wall-mount bracket and the Soundbar TV Bracket to the back of the TV. Carefully follow the TV wall-mount bracket instructions to determine the correct length of the bolts needed.



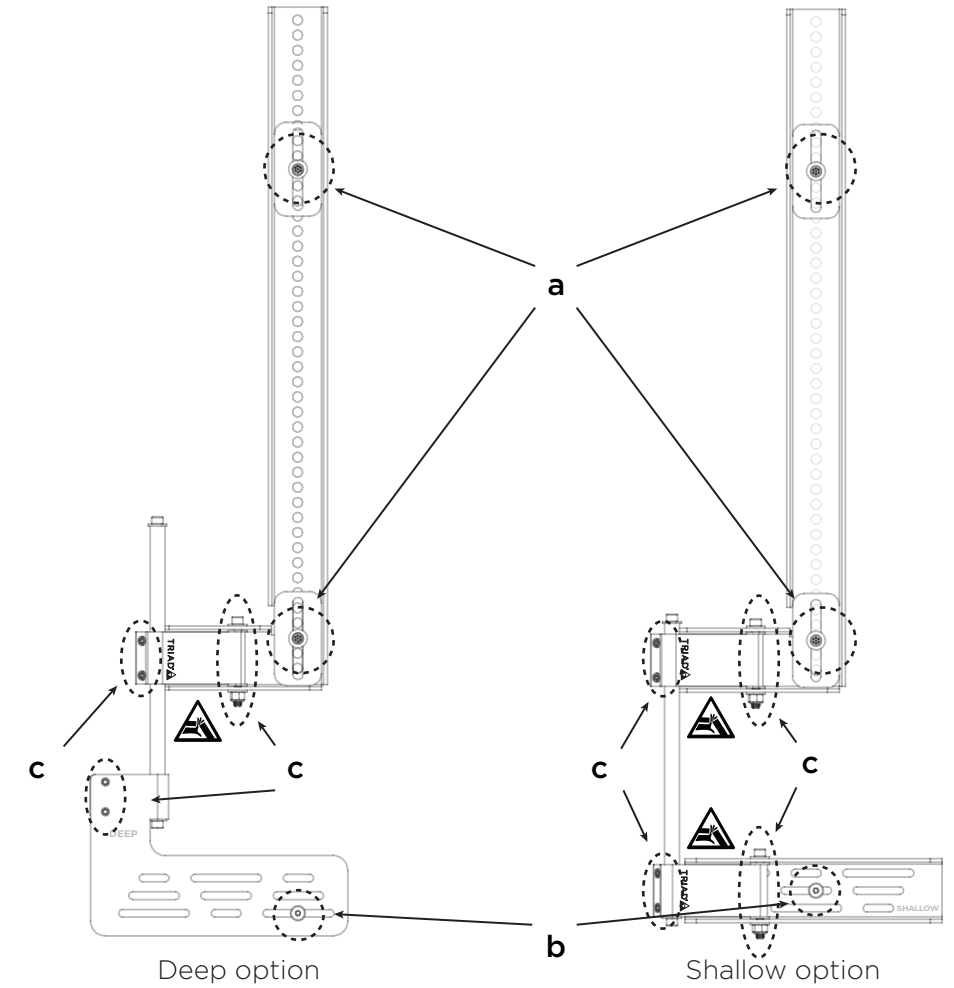
INSTALLATION, cont.

- 8** Use two 1/4-20 x 0.75 screws (included in this kit) to attach the paddles to the back of the two EZ Mount posts previously installed on the soundbar in Step 1.



Note: Do not block the speaker terminal connections with the paddle.

- 9** Tighten all hardware in the following order: (a) rails, (b) paddles, (c) others



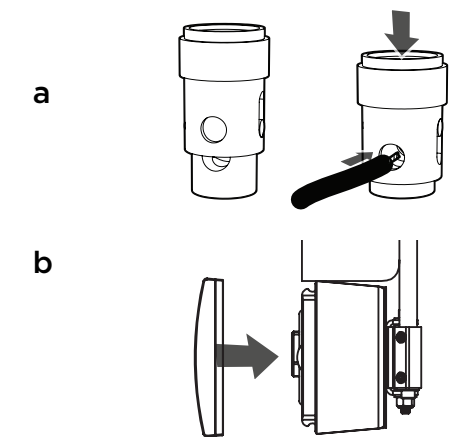
- 10** Using two people, carefully lift the TV and soundbar—supporting both products—and complete the attachment to the wall mount. Final adjustments (centering / leveling to the TV) can be done by adjusting the EZ mount knobs.

- 11** Finish the installation by attaching the soundbar speaker grill and connecting the speaker wire(s).

- a** Push binding posts down to align wire holes and insert wire.

Release binding post top when wire has been inserted.

- b** Firmly press the soundbar grill onto the soundbar.



Note: To move the TV and soundbar on the articulating mount after installation is complete, grasp the TV with a hand on both the left and right sides and pull or push on the TV to move both the TV and the soundbar.

Do not pull or push on just the soundbar.