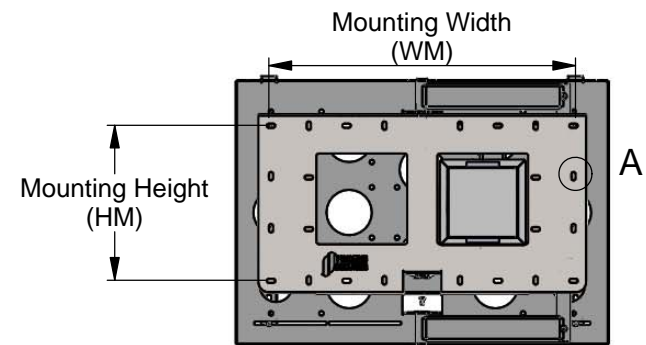
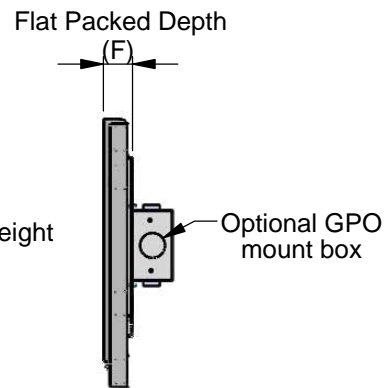
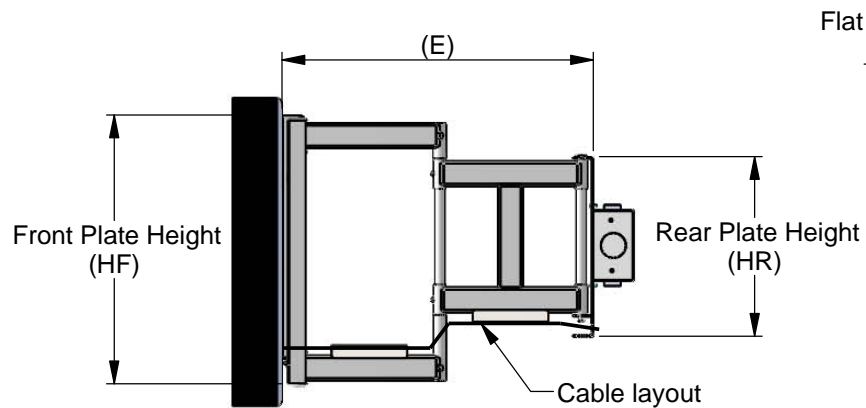
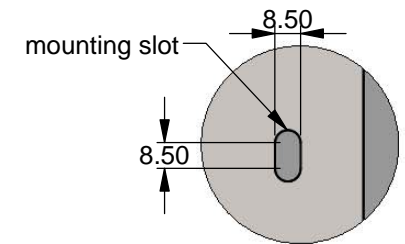
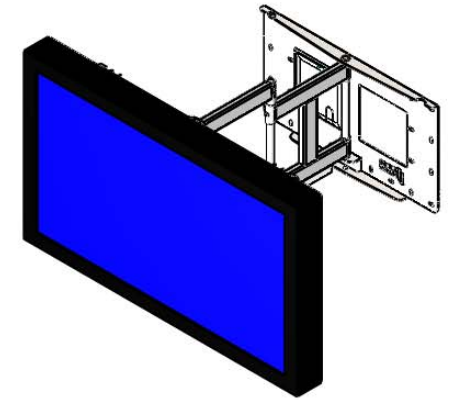
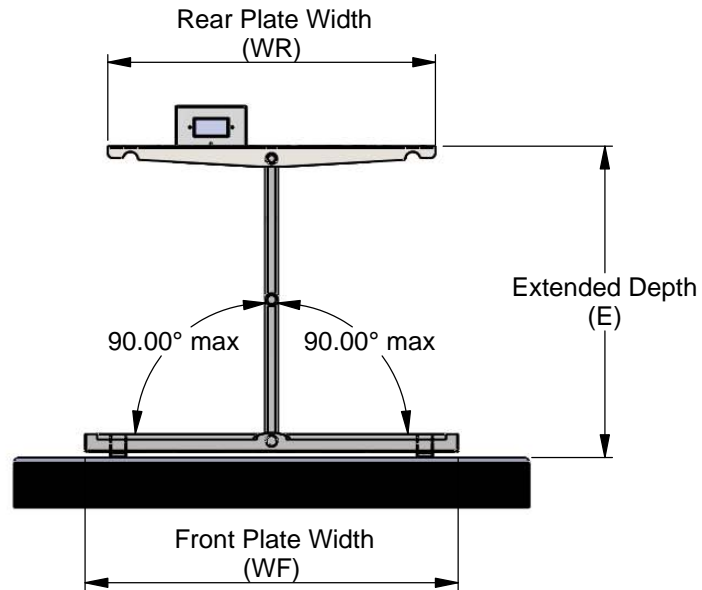
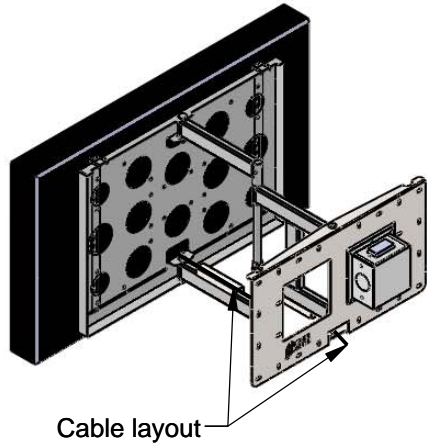
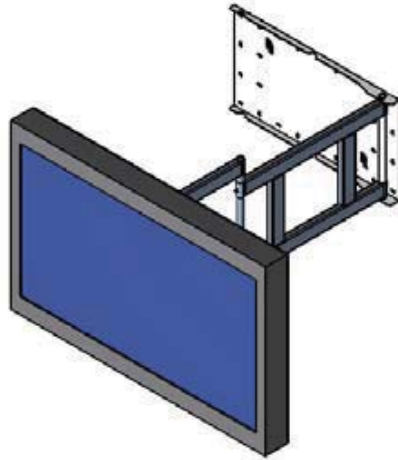
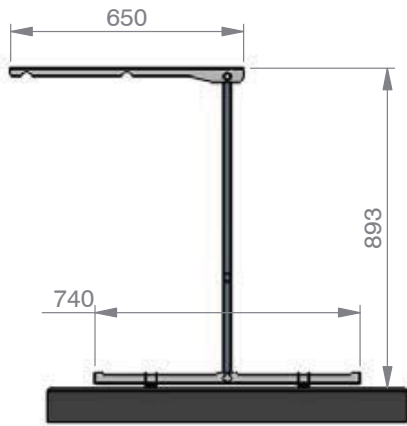


Model	Description	E	F	HR	WR	HF	WF	HM	HW
FDM-000	Freedom-S (wall mount with swivel 32-60")	610	60	356	650	536	740	307	600
FDX-000	Freedom-MAXI (wall mount with swivel 65-90")	840	80	491	858	722	1133	440	750

Custom versions available.

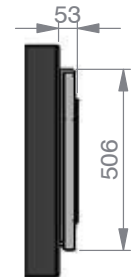
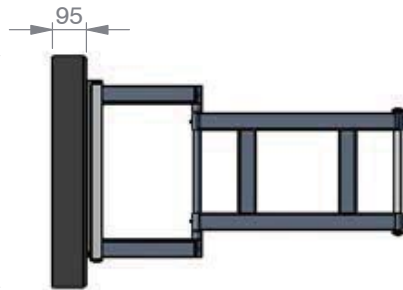
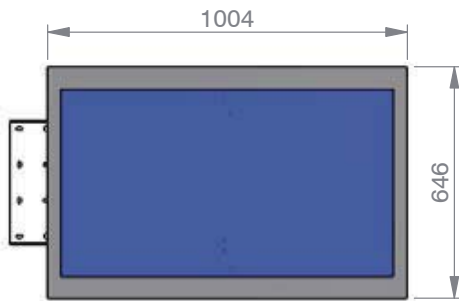
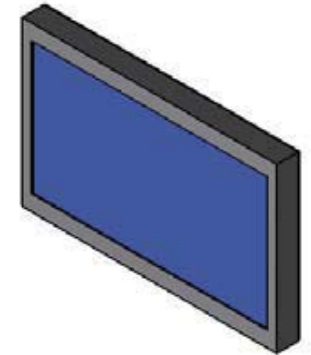
Dimensions subject to change. Please confirm prior to installation (all dimensions in mm).



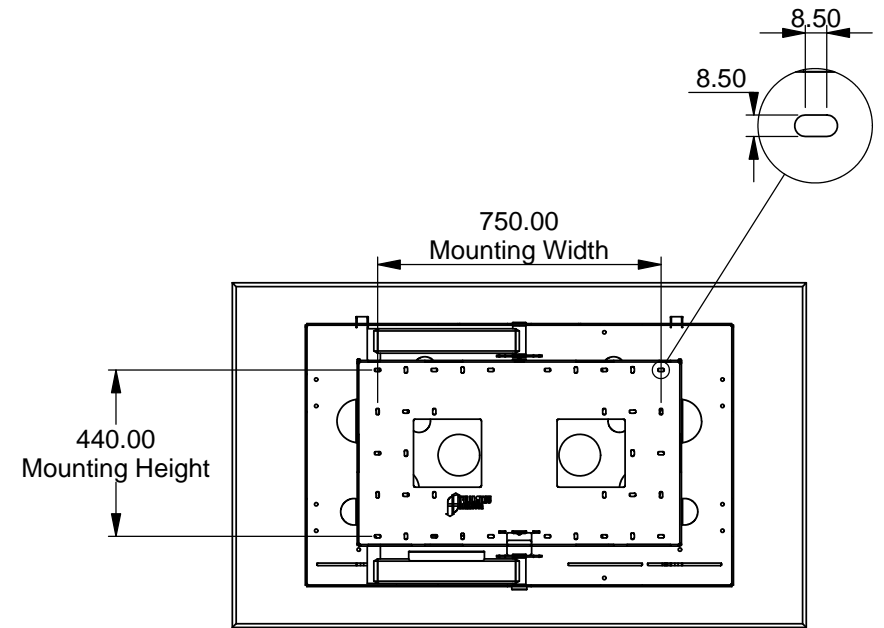
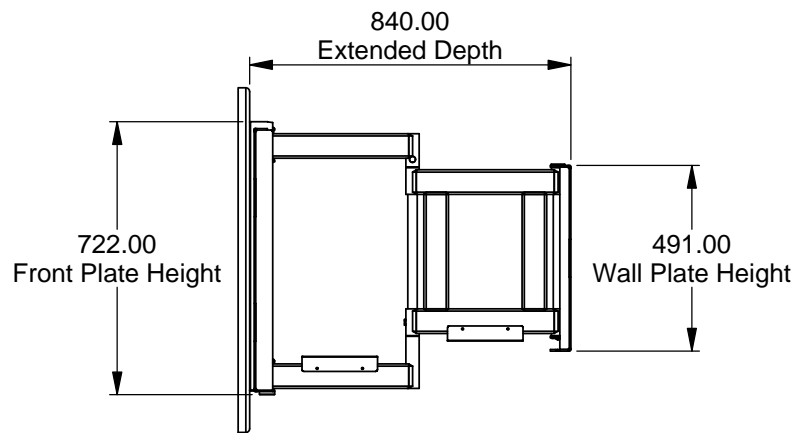
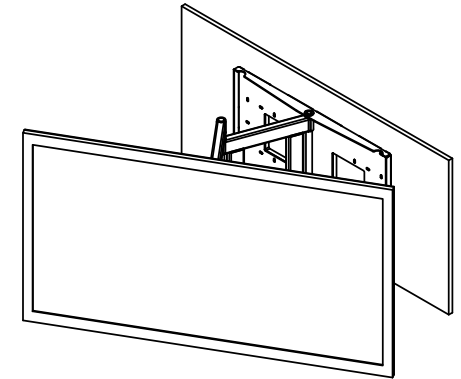
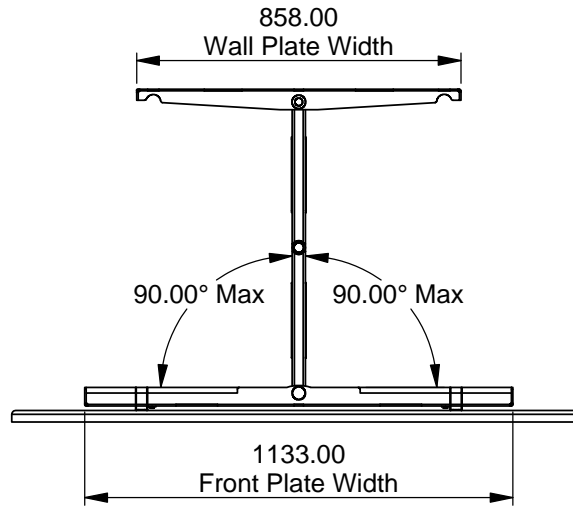


**NOTE: PRODUCT DIMENSIONS
ARE SUBJECT TO CHANGE**

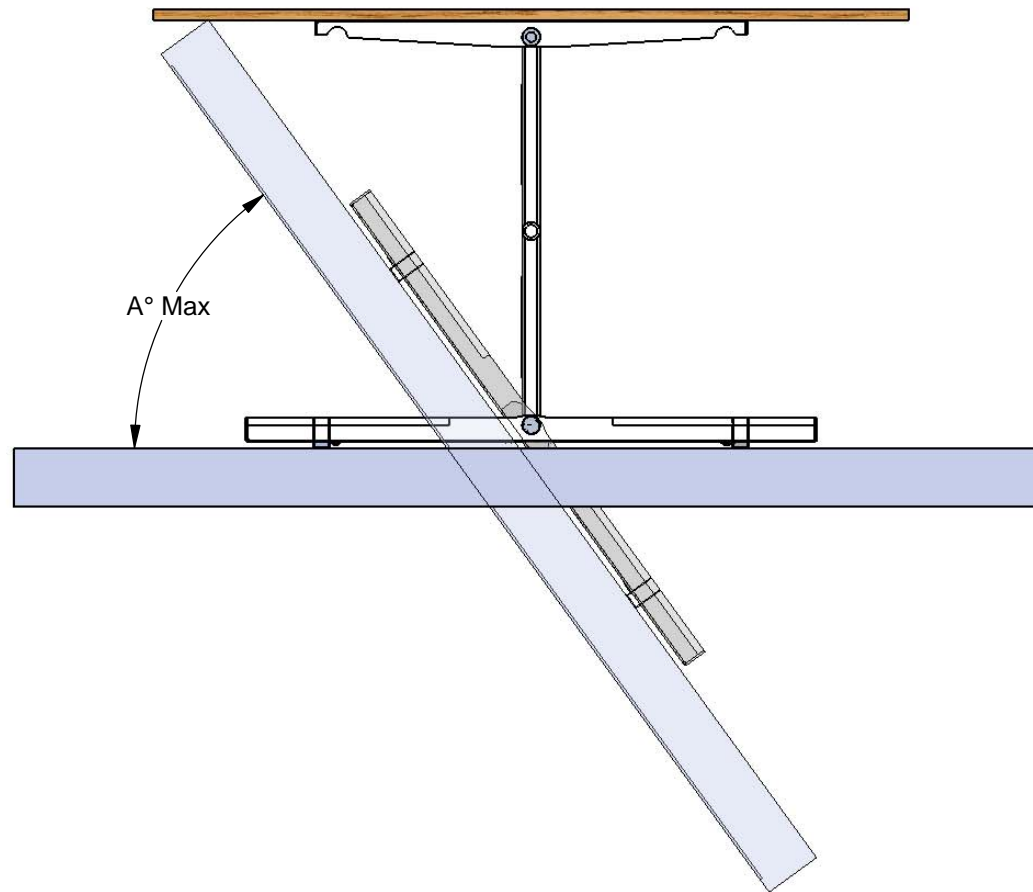
PLEASE CALL US TO CONFIRM DIMENSIONS BEFORE
PURCHASING, BUILDING FURNITURE, CUTTING INTO
WALLS, CEILINGS OR FURNITURE OR PREPARING
FOR INSTALLATION.



Screen Size Range	60" - 90" (minimum 1135 x 725)
VESA Range	1090 x 679
Weight	~ 53 kg
Load Capacity	100 kg



MANUFACTURER	MODEL	SIZE	WEIGHT (kg)	A° Max
SAMSUNG	UA75ES9000	75" (1678.1 x 976.5 x 36.2)	44	67
SHARP	LC80LE940X	80" (1867 x 1114 x 99)	53	62
SHARP	LC90LE745U	90" (2054 x 1211 x 116)	64	54
SONY	kd-84x9000	84" (2137 x 1136 x 90)	80	52
LG	lg-84LM9600	84 (1916 x 1120 x 39.9)	69.8	59

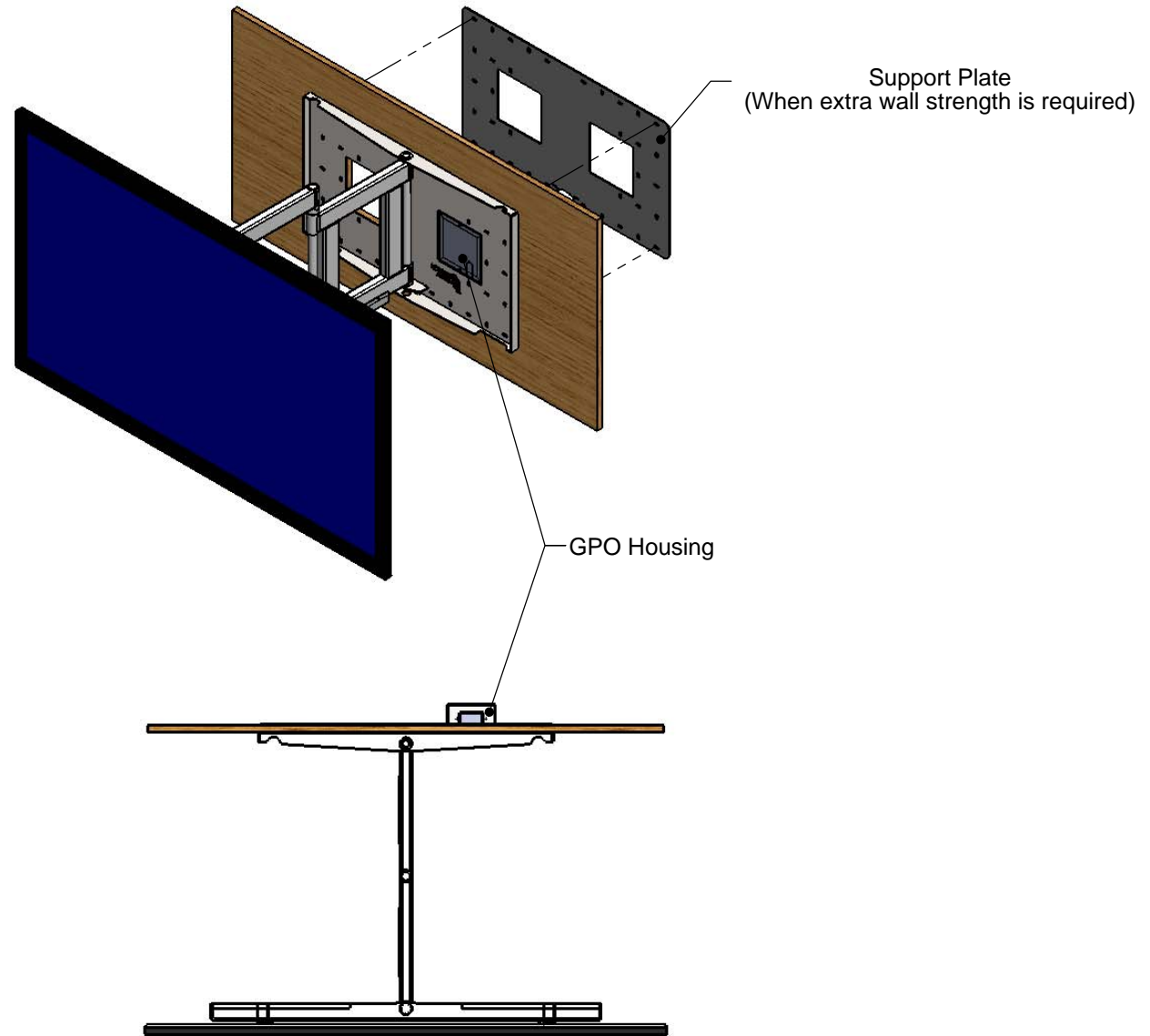


FDX-000 (Freedom Maxi)

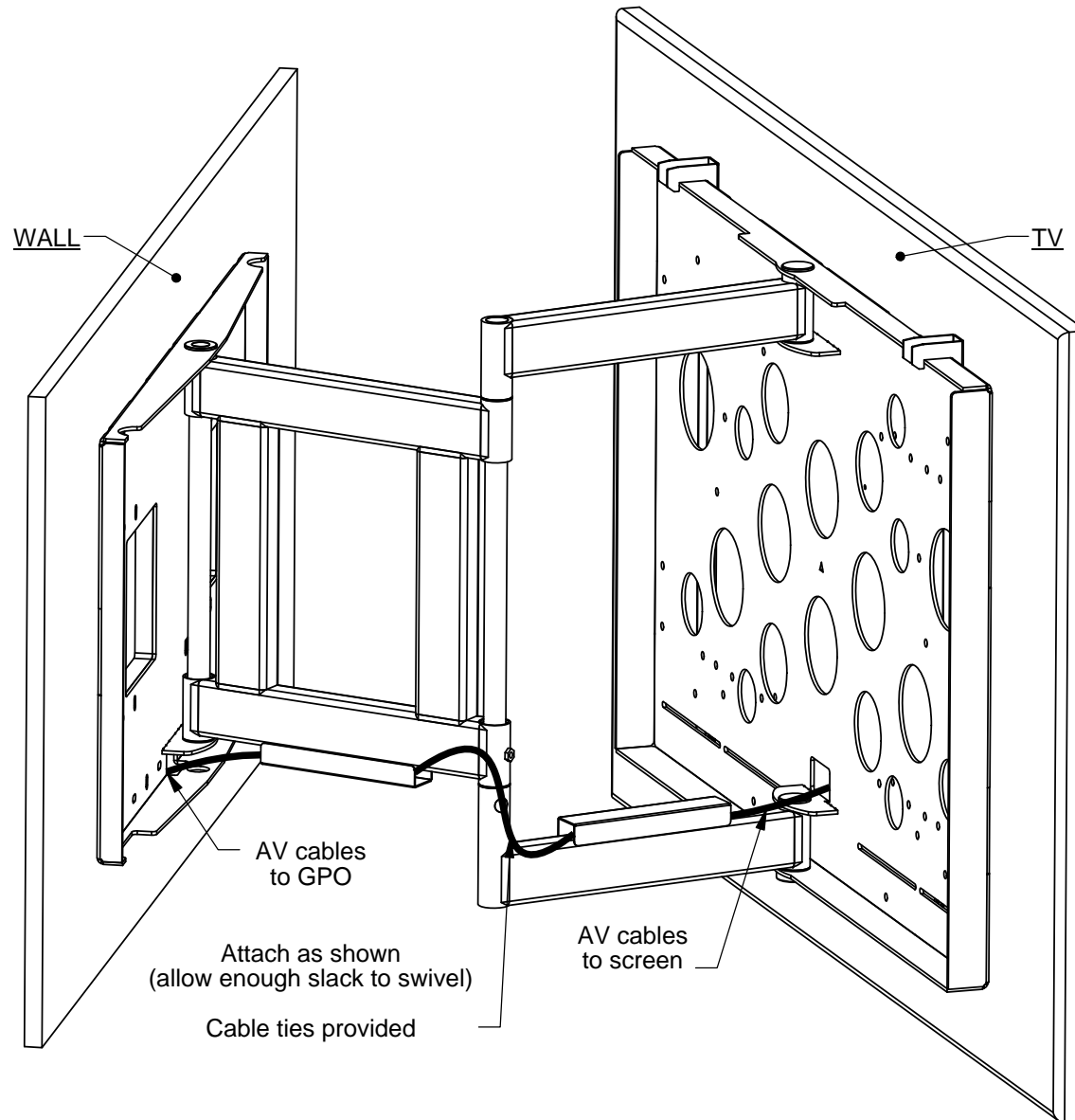
Finish: Powdercoated (Black)

Material: Mild Steel

Updated: 22/02/2013



OPTIONS



CABLE MGMT