



## **MERCURY SLIM**

---

CEILING TILT TV LIFT

**PRODUCT DIAGRAM** ..... 3

**PRE-INSTALLATION**..... 4

**INSTALLATION** ..... 7

    Mounting The TV Screen ..... 9

**CABLE MANAGEMENT**..... 11

**MOTOR LIMITS ADJUSTMENT**..... 12

**WIRING AND OPERATION** ..... 13

**WARRANTY AND RETURNS**..... 15



**MOVING PARTS**

Do not obstruct operation of mechanism with fingers or any object. Injury or damage could result. If adjusting the limits, do so prior to wiring into control systems.



**RISK OF ELECTROCUTION**

Do not connect any power to the lift until installation is complete. Attach the display panel after the lift has been properly installed and tested.



**WEAR PROTECTIVE EYEWEAR**

During installation, this product, or parts of it may move in unexpected ways. Always wear protective eyewear to ensure safety.



**BE PREPARED**

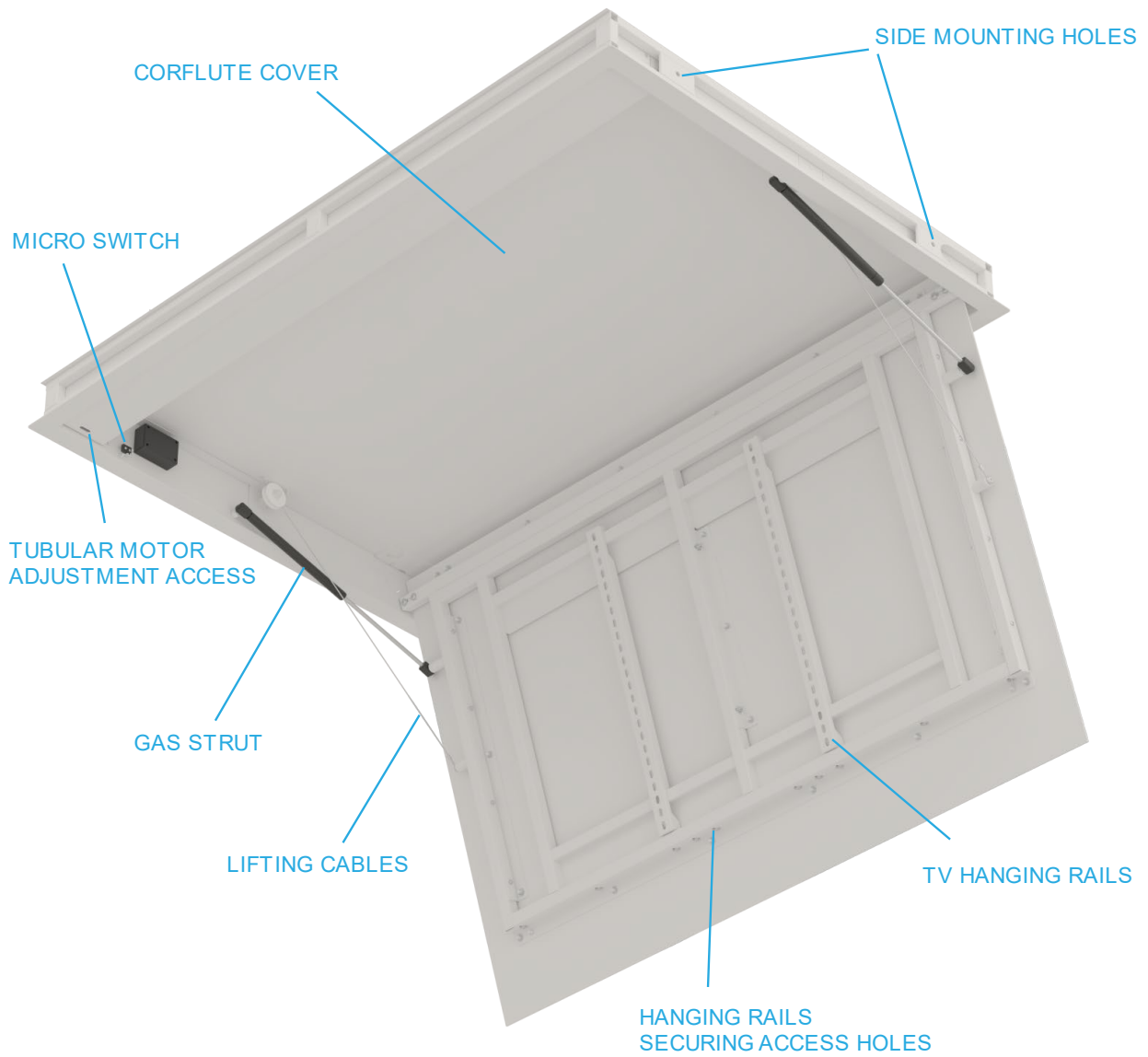
Organise your mounting hardware and have the necessary tools readily accessible before installation.



**NOTE**

Do not expose to extreme temperatures or corrosive materials. Minimize exposure to the elements. This will void your warranty and reduce the life of the product.

PRODUCT DIAGRAM



## PRE-INSTALLATION

### BEFORE INSTALL:

- When choosing your lift, keep in mind variances of the display panel size due to things like speakers on the side, top or bottom. These can increase the size of the lift that you will need. Check that the screen is not larger than the maximum screen size allowed.
- Check above the ceiling for obstructions (i.e., water pipes, cables, and duct work) before beginning installation.
- After establishing the correct location for the lift and display panel, cut a hole in the ceiling at the size listed on the following page.
- Organise a qualified trades person to frame up the roof to accommodate the Spartan so that it can be mounted in the correct position.
- Route AV cables from the source to the roof location where the Lift will be in-stalled.
- Ensure that a double power point has been installed in the roof (or where suit-able) so that the Lift and display panel can receive power.
- Before mounting the display panel to the Lift, ensure that it will suit the Lift in relation to dimensions, loading capacity and functionality.
- Read instructions completely before proceeding. Follow instructions carefully. Installation contrary to instructions invalidates warranty.



### CAUTION

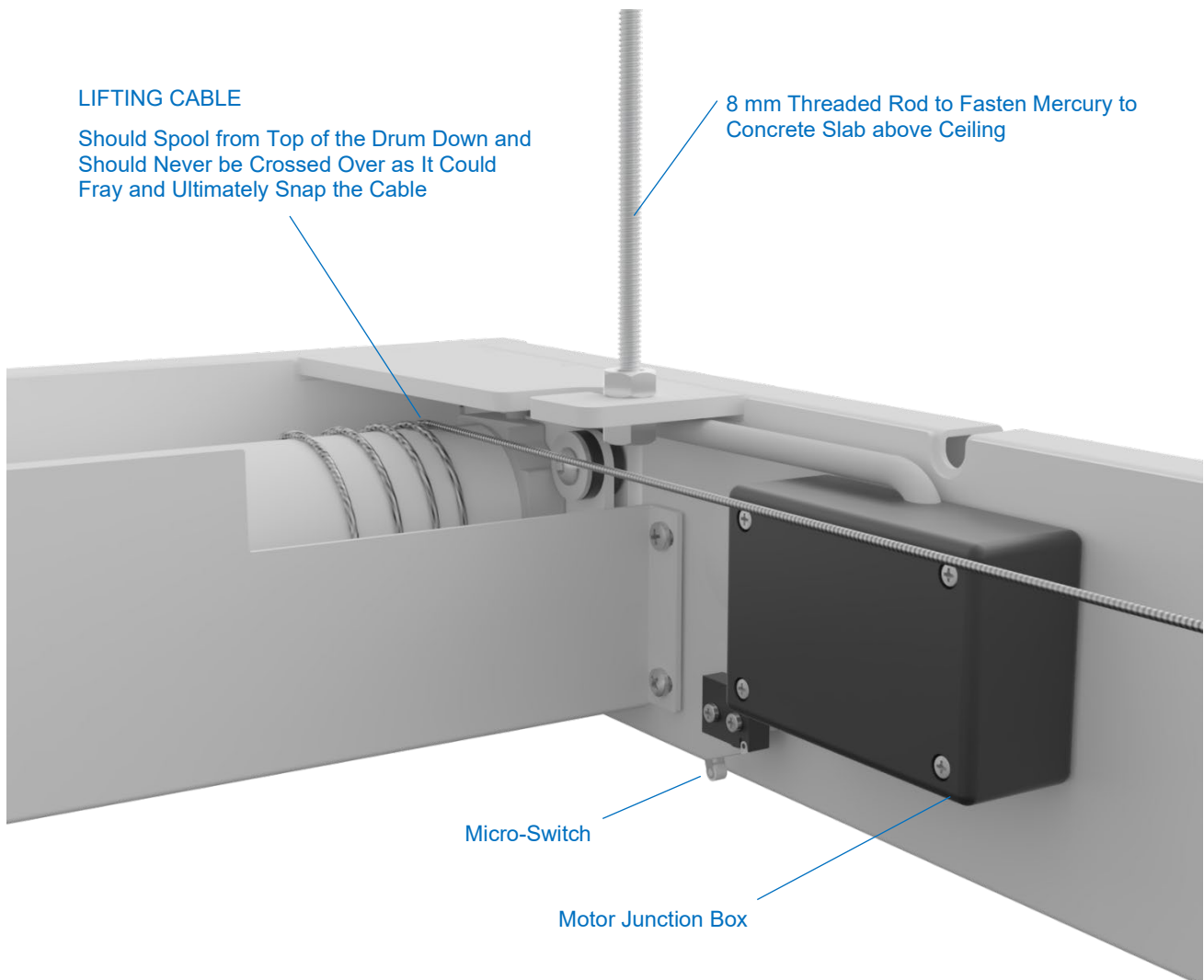
- Do not obstruct operation of lift with fingers or any object. Injury or damage could result.
- Check above the ceiling for obstructions (i.e., water pipers, cable, and duct work) before beginning installation.
- Do not connect any power to the lift until installation is complete
- Attach the display panel only after the lift has been properly installed and tested.
- Unit operates on a 240V with a current draw of 1A and a 6.5mA standby.
- If adjusting the limits, do so prior to wiring into control systems.
- Organise your mounting hardware and have the necessary tools readily accessible before installation.



### IMPORTANT WARNING

Follow cable spooling orientation as shown below when installing new motor and adjusting limits. See the page for motor limit adjustment, motor type, and wire colour combination for more information.

It is critical that the tension of the cables on the Mercury remains unchanged.  
Changing the tension of the cables will damage the Mercury and void your warranty.



To ensure the tension remains unchanged from factory defaults, please note the following:

- **NEVER open or close the Mercury lift manually (i.e., by hand):**  
Doing so may reduce the tension in the cables, causing them to bunch up on the tubular motor and prevent the lift from raising or lowering properly. The cables may snap if this is the case.

- **NEVER disconnect the spool cables:**

Doing so will cause the tension of each cable to become uneven/unbalanced, making the load applied to the lifting mechanism uneven. This can cause the Mercury Lift to malfunction and may cause the cables to snap.

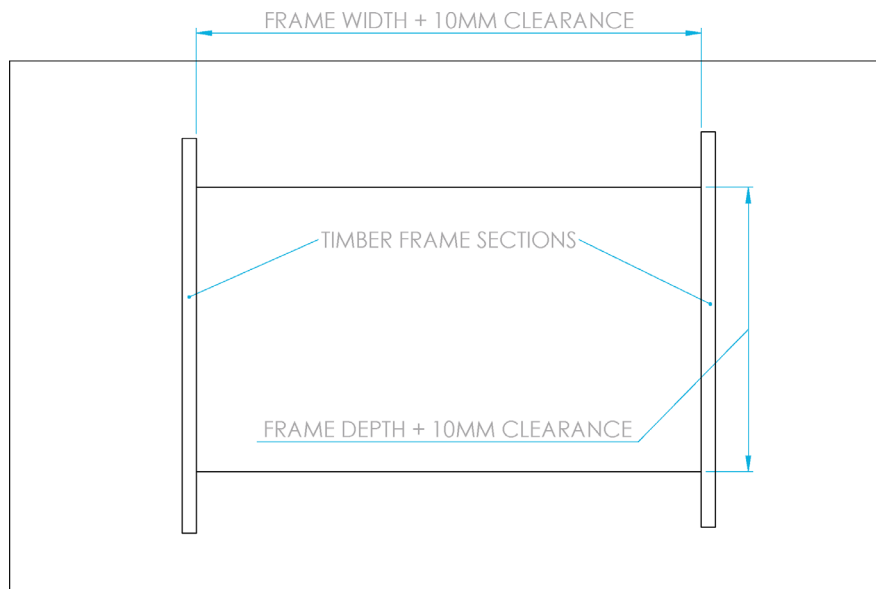
### Preparation:

1. Prepare the ceiling cut-out according to the Ceiling Cut-out sizes (CW and CD) in the Specifications of your lift.
2. Frame up the ceiling joists or hanger rails using a qualified trades person.
3. Route the Audio-Visual cables to the lift position in the ceiling.
4. A double power point is required in the ceiling to power the Mercury Slim and the display panel.



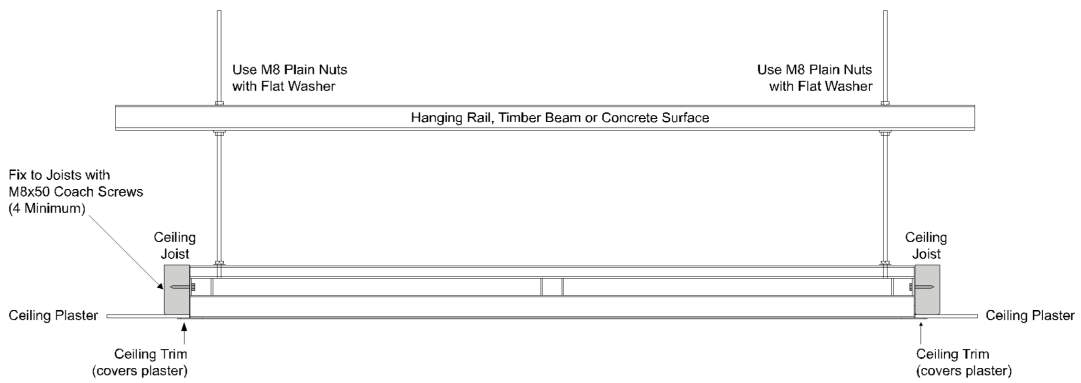
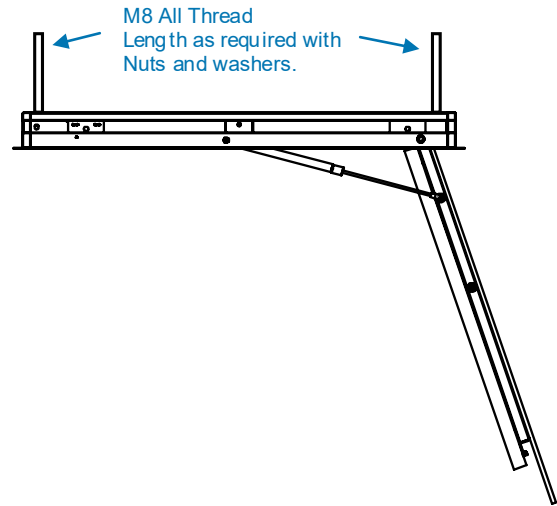
#### Note

- Access to the power point in the ceiling is advisable

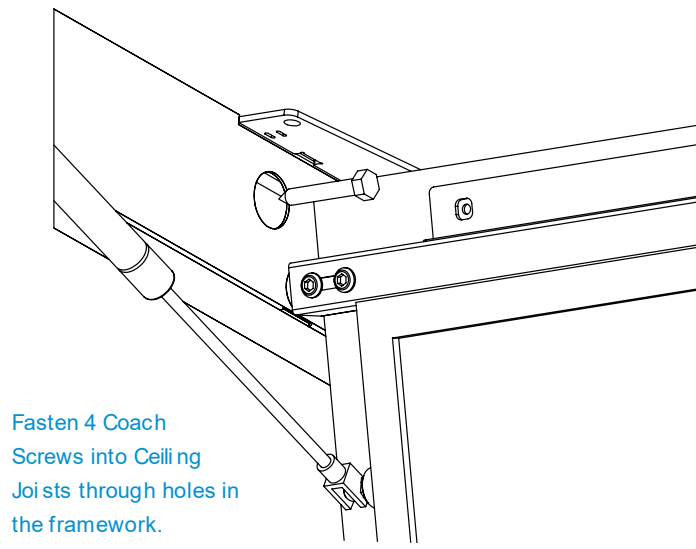


INSTALLATION

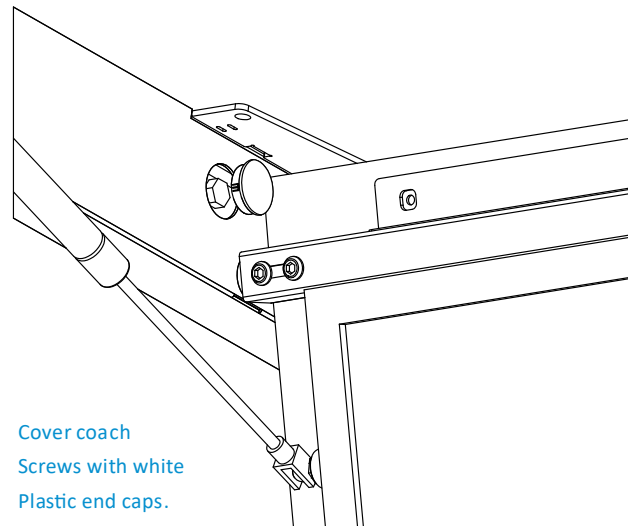
1. Cut 8 mm threaded rods to suit the distance from the slab/hanger rails to the Lift fixing points on the top corners of the Mercury Slim.
2. Fix the pre-cut threaded rod to the slab or ceiling hanger rails as shown below.
3. Fit one M8 nut and washer to each threaded rod.
4. Fit one M8 nut and washer 100 mm up from the bottom of the threaded rod.
5. Raise the Mercury Slim unit into the pre-cut hole from the underside. Fit the threaded rod through the top frame of the lift. Fit nuts and washers to suspend the lift.



6. Adjust nuts until the lower frame sits 1-2mm above the plaster underside. Screw a minimum of four M8 x 50 coach screws through the fixing holes on the inside frame of the Lift, into the pre-built timber support frame.



7. Cover the bolts with the supplied end caps.

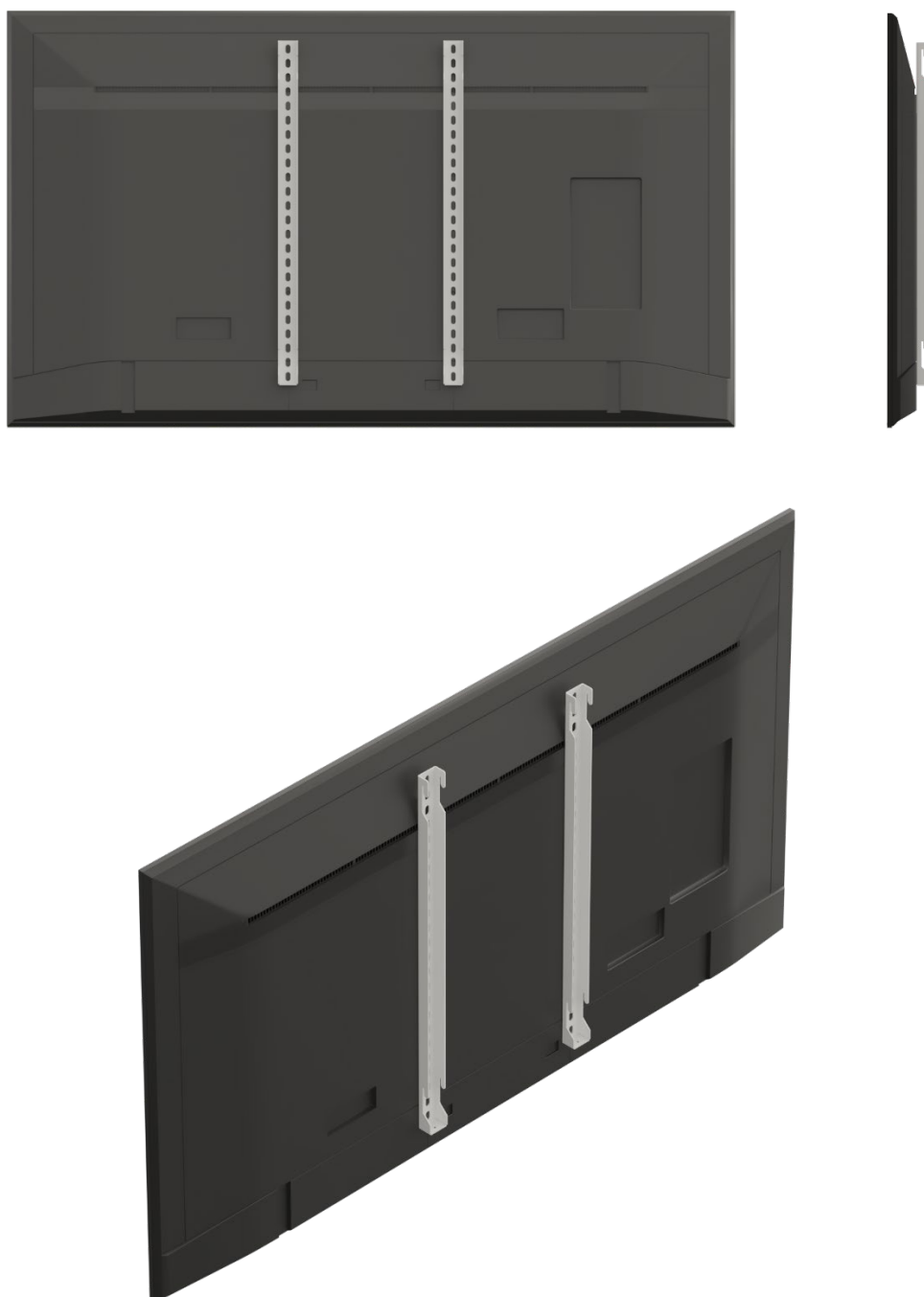


8. Route the AV cables into the lift as per diagram on page 13 (cable management).
9. Expose the IR eye in a suitable position to achieve line of sight to the remote.
10. Expose double sided tape on loose corflute dust cover and fit to frame.

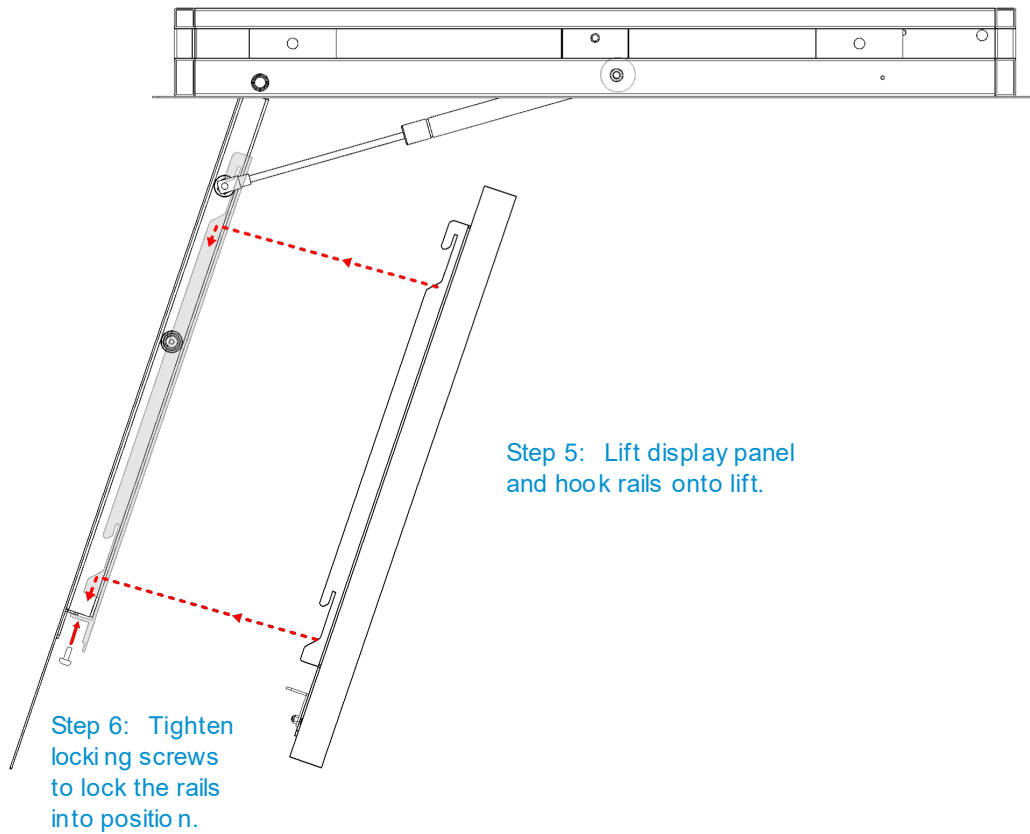


## Mounting The TV Screen

1. Connect power to the lift and lower the lift using the IR remote control handset
2. Disconnect power to the lift
3. Remove the Mounting Rails by loosening the two 5mm locking screws.
4. Fit the rails to the back of the TV screen and bolt using the four Phillips head screws and washers, as per diagram below, noting the orientation from the top of the screen to the top of the rails.



5. Lift the display Panel and hook rails onto the lift.
6. Tighten the locking screws to lock the rails into position, ensuring that the screws are tight.
7. Ensure the display panel is mounted centrally



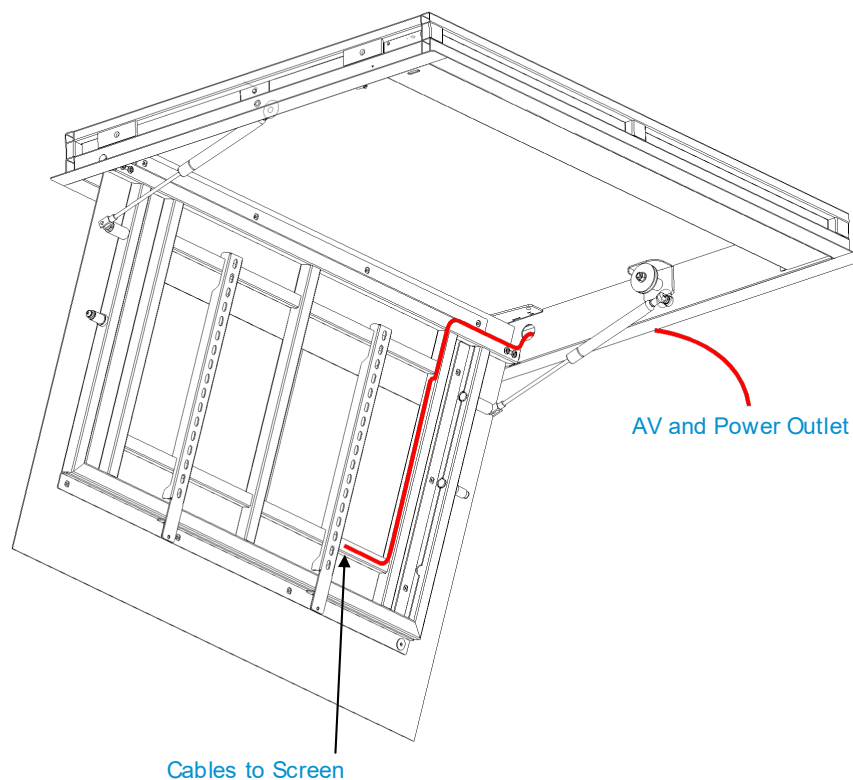
## CABLE MANAGEMENT

1. Connect cables to the display panel and run-down cable management arms as per diagram below. Make use of Cable Ties to fix the cables to the lift.
2. Be sure to allow the extra cable length on the cable management arm. Be careful to avoid potential pinching of cables, particularly around the cut-out area.
3. Reconnect power to the lift.



### IMPORTANT WARNING

Cables must be securely attached to the frame to avoid pinching of the cables. Raise and lower the lift several times using the controller, closely watching the cables to make sure they do not interfere with the lift operation. The **Installer** is responsible for ensuring the cables do not interfere with the mechanism as the unit raises and lowers.



## MOTOR LIMITS ADJUSTMENT

When adjusting the motor limits use the motor key.

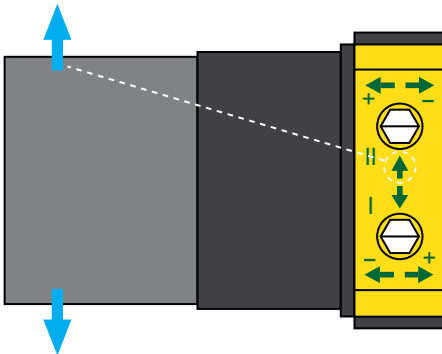
1. Lower the Lift using the remote-control handset.
2. Adjust the motor down limit if required with caution.
3. Raise by adjusting the desired-up motor limit.



### CAUTION

When setting the motor limits, adjust the Up and Down limits with caution. The Up and Down limits are set in the factory to recommended positions. Minor adjustment may be necessary. In the rare case that the factory settings are slightly out, the down limit may be adjusted with caution. Minor adjustment may be necessary if the weight of your screen or projector has sagged the cable length.

Drum Rotation Direction



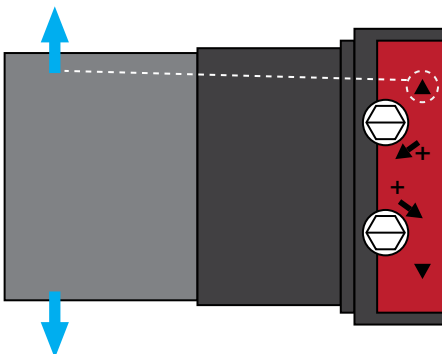
### SELECTING THE RIGHT SCREW SWITCH

The vertical arrows on the motor correspond with the drum rotation direction (viewed from the front).

### UP LIMIT ADJUSTING SCREW

Use the hexagonal adjustment tool and the corresponding switch to adjust the Up Limit. Turn towards the + sign for **more** rotations in this direction. To make the motors stop sooner, turn this switch in the opposite direction.

Drum Rotation Direction



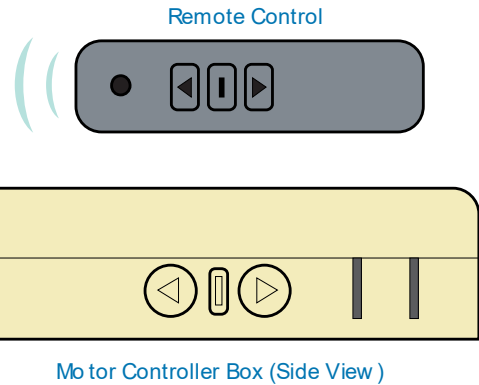
### DOWN LIMIT ADJUSTMENT SCREW

Use the hexagonal adjustment tool and the corresponding switch to adjust the Down Limit. Turn towards the + sign for **more** rotations in this direction. To make the motors stop sooner, turn this switch in the opposite direction.

WIRING AND OPERATION

**Motor Controller Speciation**

- Input: 220 VAC / 50 Hz ± 10%
- Output: 220 VAC
- Power: Max. 500 W
- Maximum motor running time: 5 minutes
- Both RF and IR receiver
- Dry contact closures.
- External IR Lead & Built in IR Eye.
- 12 Volt trigger input for projectors
- Programmable



**Pairing Remote Control to Receiver:**

Aim the Remote-control unit towards the receiver IR eye (IR1) or to the external IR eye while programming.

Push button switch (SW4), (LED1 blinks) then press the UP button of the remote-control unit.

**Unpairing Remote Control from Receiver:**

Press SW4 (LED1 blinks) then press the DOWN button of the remote-control unit.

**Unpairing All Remote Controls from Receiver:**

Press and hold SW4 for about 4 seconds until LED1 blinks at faster rate, then release the Button. Then press SW4 again.

**Reversing The Up-Down Button Direction:**

Press SW4 (LED1 blinks) then press the STOP button of the remote-control unit.

**HEX Codes**

Up 0x0B

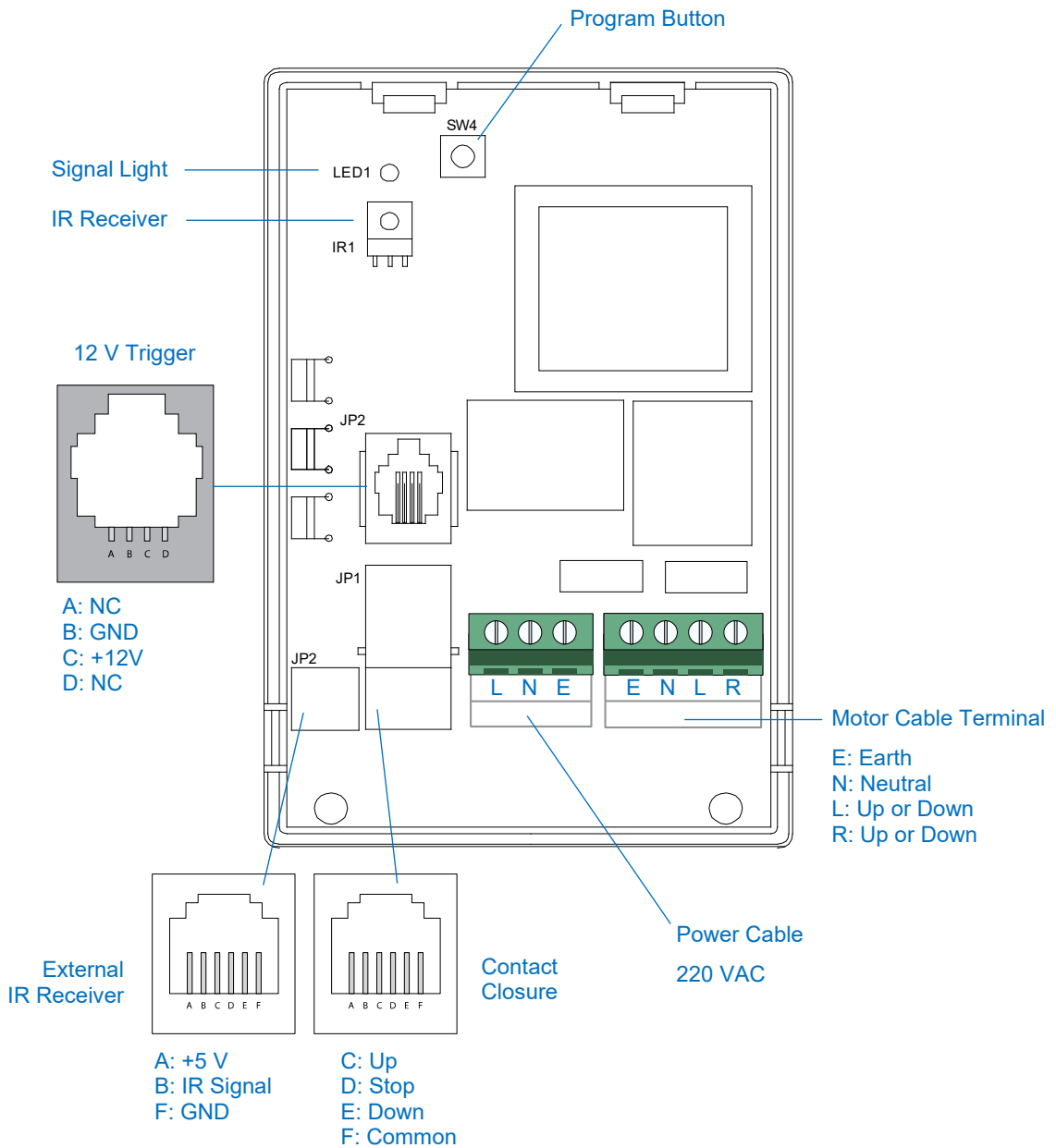
Down 0x43

Stop 0x23



**DO NOT OPEN BOX WITH POWER ON!**

Please refer to instructions of the Motor Controller Box for further information.



## WARRANTY AND RETURNS

At Ultralift Australia Pty Ltd, we take pride in the fact that our products are of the highest quality. Because of this, we offer the following programs to ensure your satisfaction.

### ULTRALIFT 3 YEAR WARRANTY

1. The product is warranted for 36 months from the date of invoice. Subject to the conditions of this warranty, Ultralift Australia or an authorised installer will perform necessary service on the product without charge for parts or labour if, in the opinion of Ultralift Australia, the product is found to be faulty within the warranty period.
2. This warranty only applies to Ultralift Australia products when purchased from Ultralift Australia or from an authorised dealer.
3. This warranty only applies if the product has been installed and used in accordance with the manufacturer's recommendations (as noted in the instruction manual) under normal use and reasonable care (in the opinion of Ultralift Australia). The warranty covers normal domestic, commercial or educational use only. It does not cover damage, malfunction, neglect, build-up of dirt or dust, abuse, maladjustment of customer controls, mains supply problems, thunderstorm activity, infestation by insects or vermin, tampering or repair by unauthorised persons (including unauthorised alterations), exposure to abnormally corrosive conditions or any foreign object or matter having entered the product.
4. If warranty service is required, you should:
  - Contact your installer for advice on how to rectify the issue.
  - If this does not solve the problem, please call Ultralift Australia on +61 3 9459 0873 for advice.
  - If the device requires service, return the product to Ultralift Australia for repair.
  - Please Note: Freight and insurance to and/or from the location of the device must be arranged by you.
  - Please ensure that items returned are packed in an appropriate manner.
5. The warranties hereby conferred do not extend to, and exclude, any costs associated with the installation, de-installation, or re-installation of a product. This includes costs related to the mounting, de-mounting, or re-mounting of any screen (and any other ancillary devices), delivery, handling, freighting, transportation or insurance of the product or any part thereof or replacement to such installation, deinstallation, reinstallation or transit.