

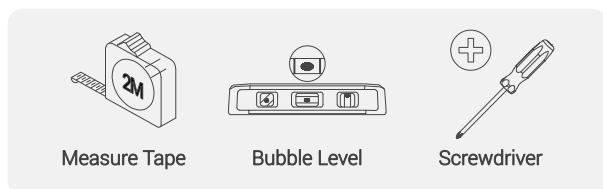
! WyreStorm recommends reading through this document in its entirety to become familiar with the product's features prior to starting the installation process. For other language versions of this document, check wyrestorm.com.

Before You Begin

- The weight of your Videobar SHOULD NOT EXCEED 26.5 LBS (12 KG).
- You must verify that the total weight of your TV, Videobar, Videobar Mount and any accessories must be lower than the maximum weight rating of your TV mount.
- You have read through the user manuals of your TV, Videobar and TV mount for additional guidance.
- You have the tools needed for installation.

! **IMPORTANT! Please read instructions carefully before installation**

- For wall mounted cases, the wall must be capable of supporting five times the weight of the TV, mount and sound bar combined.
- Incorrect installation may result in product damage or body injury. WyreStorm bears no responsibility for any damage or injury resulted from incorrect installation, incorrect assembly or misuse.
- Do not apply this product to any purpose not indicated by its use outlined in this document.



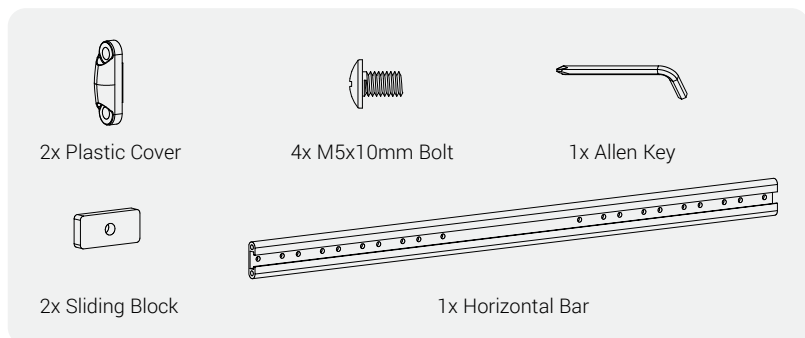
In the Box

- 2x Plastic Cover
- 2x Sliding Block
- 1x Allen Key
- 1x Horizontal Bar
- 2x Brackets
- 2x Adjustment Tablets
- 2x Hooks
- 4x M5x10mm Bolt
- 4x M5x8mm TV Screws
- 2x M6x8mm TV Screws
- 2x M6x30mm TV Screws
- 4x M6x16mm TV Screws
- 4x M6x25mm TV Screws
- 4x M8x25mm TV Screws
- 4x M8x45mm TV Screws
- 2x M4x16mm Videobar Screws
- 2x M6x16mm Videobar Screws
- 2x M5x16mm Videobar Screws
- 4x M8x10mm Spacer
- 4x M8x4mm Spacer
- 4x M8x2.5mm Spacer
- 6x M6 Washers

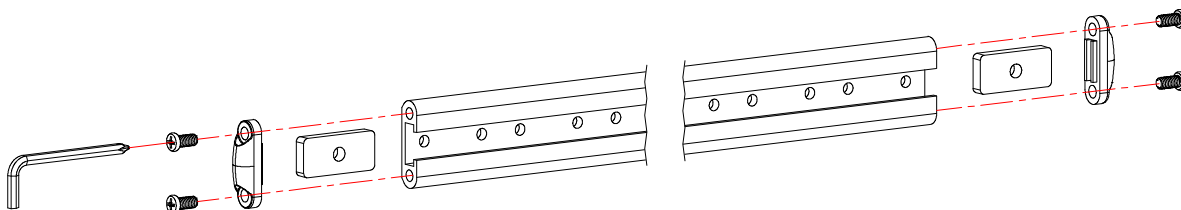
! **WARNING: This product contains small items that could be a choking hazard if swallowed.**

Before starting assembly, verify all parts are included and undamaged.

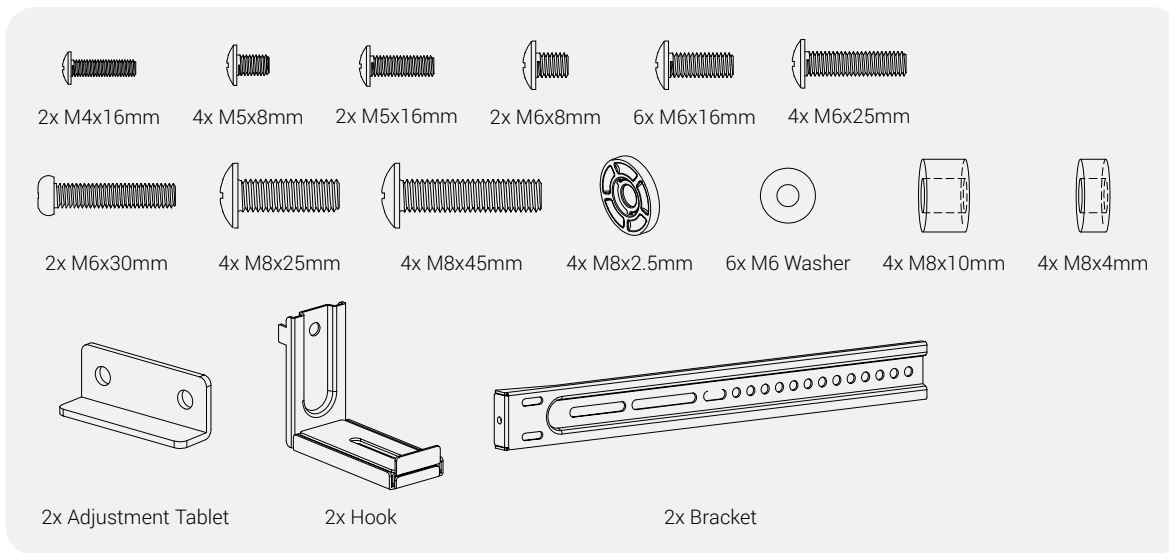
Assemble Horizontal Bar



1. Insert both of the Sliding Blocks into the Horizontal Bar at each end.
2. Use the Plastic Covers to cap off each end and secure tightly with the provided M5x10mm Bolts and Allen Key.
3. The sliding block position can be appropriately moved according to the length of your Videobar.



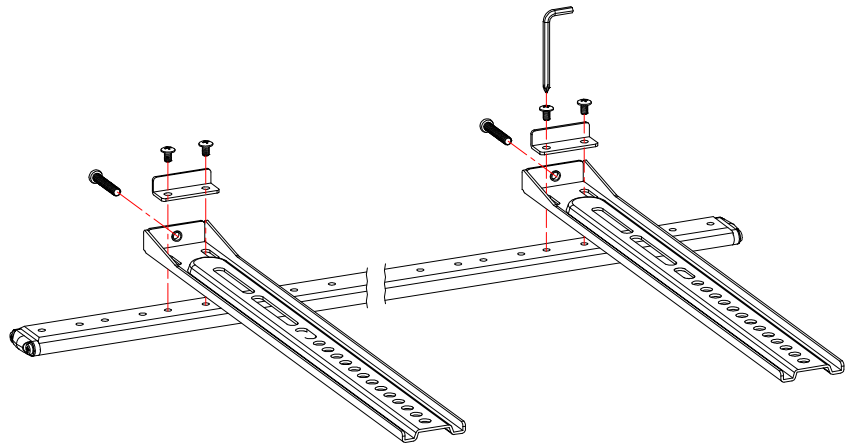
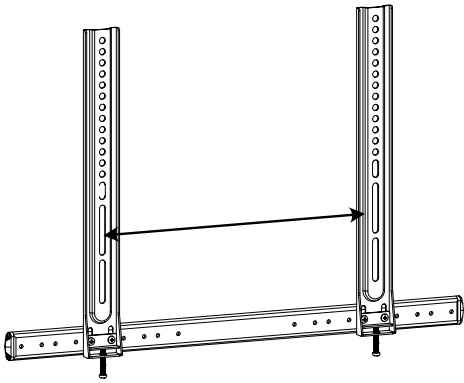
Further Assembly of Videobar Brackets



1. Check the horizontal distance of the TV before connecting the wall plate unit to the brackets.

2. Line the Brackets up with the corresponding holes of the Horizontal Bar and insert the Adjustment Tablets.

3. Secure the Adjustment Tablets tightly to the Brackets with the provided M5x8mm Bolts and Allen Key.

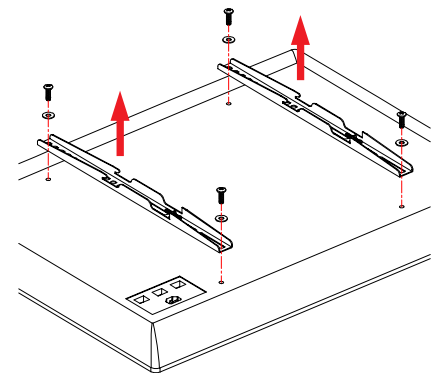
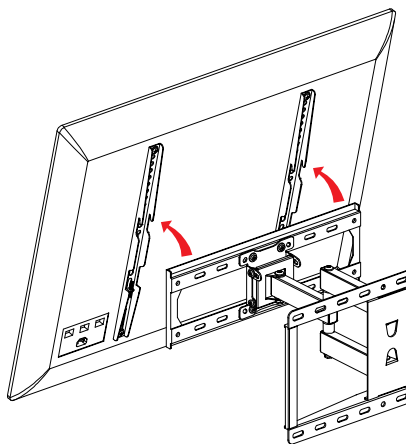
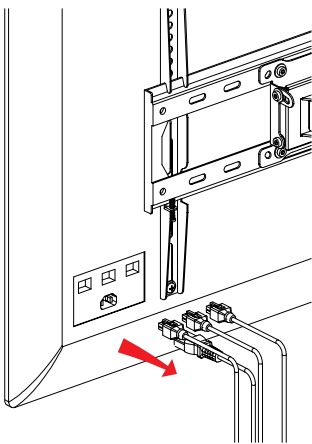


Disassemble Your TV from the Mount

1. Make sure all cables are removed from the display before unmounting.

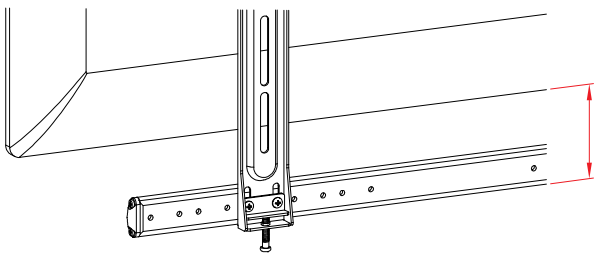
2. Unmount the display from the wall and put down on a soft surface.

3. Remove all current brackets from your display.



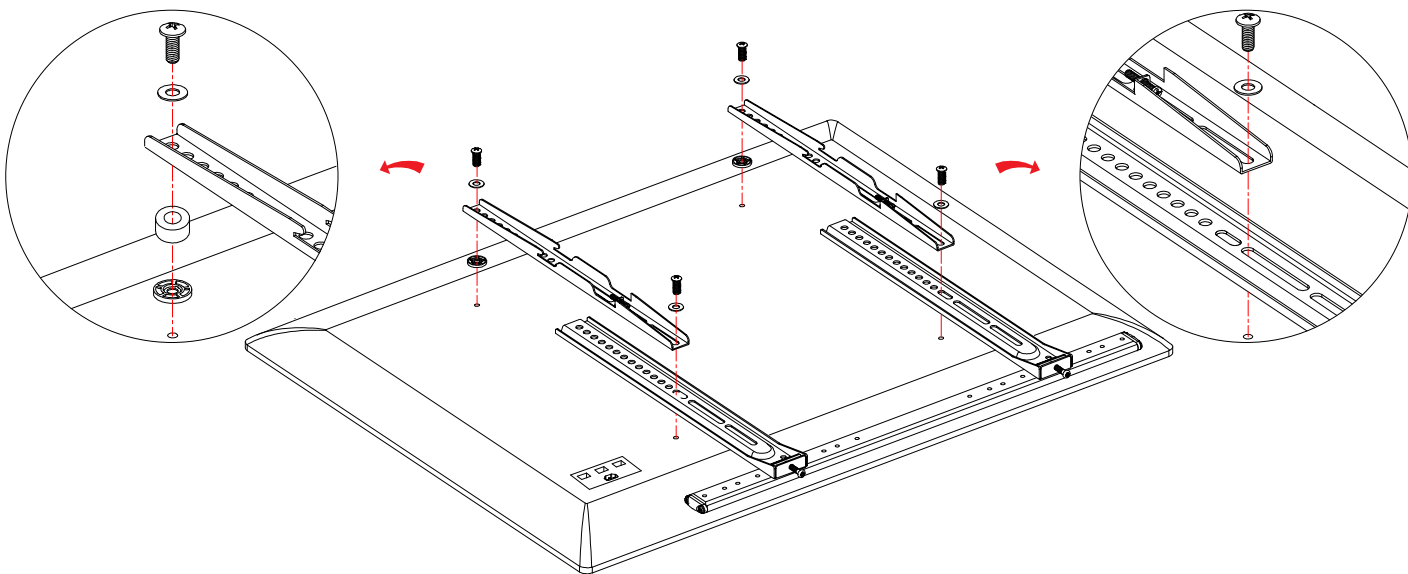
Attach the Assembled Sound Bar and Brackets Unit to Your TV

⚠ IMPORTANT: Before you attach the bracket to the TV, check the vertical distance of the TV and wall plate to allow for the height of the Sound bar.

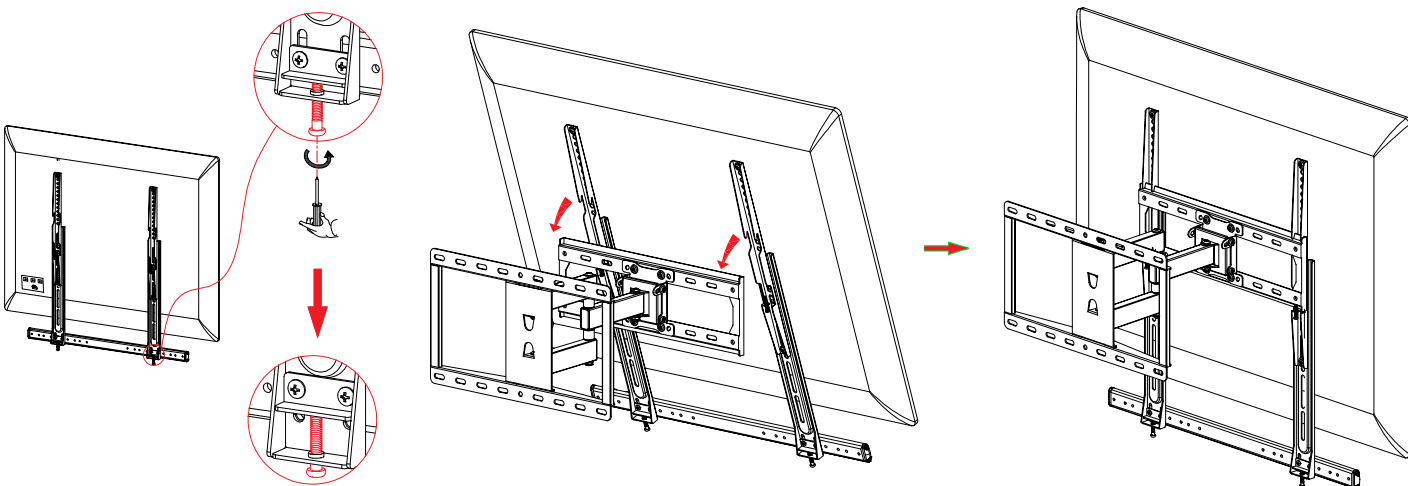


1. Align the Bracket with your display's mounting holes.

2. Use the supplied mounting screws, spacers and washers to mount the bracket to the display.



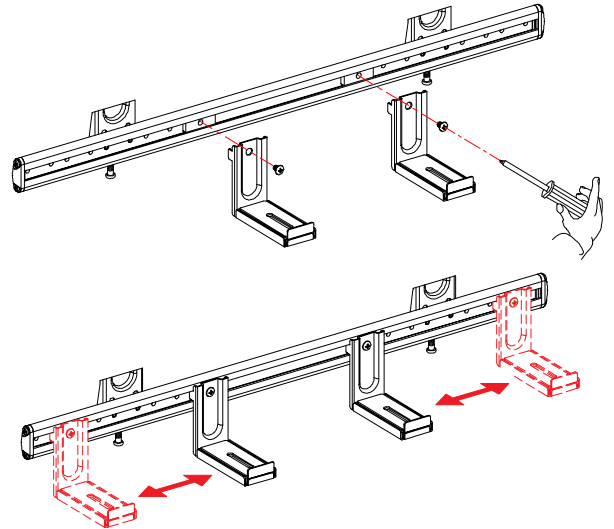
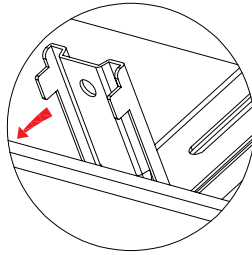
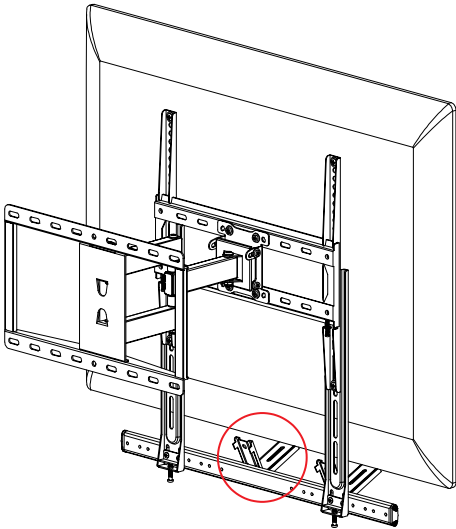
Hang the Whole Assembled Unit to the Mount



IMPORTANT: You can adjust the height and level of the display by tightening or loosening the adjustment screw.

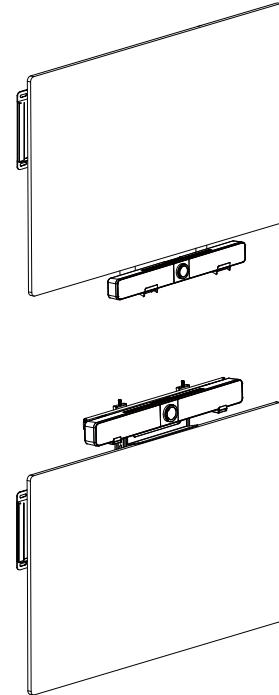
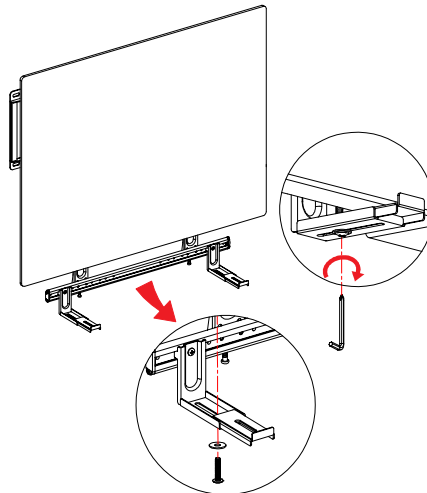
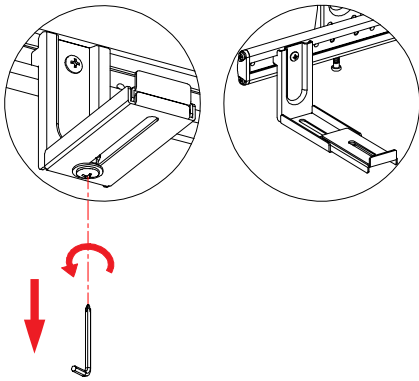
Hang the Hooks

1. Ensure the Hooks are placed inside the Horizontal Bar and aligned with screw holes.
2. Secure the Hooks tightly to the Horizontal Bar with the provided M6x8mm Bolts and Allen Key.
3. You can adjust the placement of the Hooks to make sure it fits to the Videobar.



Install the Videobar

1. Unscrew the bolt holding the hook in place so you can extend it to fit under the Videobar.
2. Tighten the bolt back into the hook to secure it at the desired position for the Videobar.
3. Install the Videobar. You can adjust the hook to make sure the Videobar is secure.



Note: The mounting kit can also be installed above the TV and the operation methods are similar to the instructions specified in this document.

Warranty Information

WyreStorm Technologies warrants that its products to be free from defects in material and workmanship under normal use for a period of five (5) years from the date of purchase. Refer to the Product Warranty page on wyrestorm.com for more details on our limited product warranty.

