

MHUB AUDIO

Achieve more, with less, for less.



Room EQ wizard Room EQ Parametric EQ

Take the guesswork out of how to equalise a room with the room EQ wizard. By working through a series of steps, the MHUB AUDIO is configured to give the end user the best audio experience for their rooms in minutes. Full EQ options are available to make those individual adjustments, but getting to an excellent starting point, if not the end result takes far less time than before.

MHUB PRO + AUDIO



Four analogue inputs with lip sync delay and level adjustment connect directly to the MHUB PRO video zone audio outputs.

Multiroom music

Two aux digital optical or COAX digital inputs are available for the easy connection additional audio and music sources, like a Sonos Connect, Google Cast, LODE, Denon HEOS etc.



MHUB Control

MHUB IR (IN)

REMOTE Audio (IN) ARC

Sub/slave outputs for .1 systems

Four additional unamplified outputs, one for each zone, are also available. Each with individual DSP EQ allowing high pass and low pass filtering. Perfect for subwoofers or to feed full range audio to external amplification.

Create 16 zones of amplified audio

The four additional unamplified outputs can be used for connecting additional (slave) MHUB AUDIO units (or other amps) for larger installs, creating up to 16 zones of audio.

IEC Power

Introducing the British-made, uControl-ready MHUB AUDIO matrix-amp that completes our centralised home entertainment system.

MHUB AUDIO is a 4-zone matrix-amp with DSP EQ and integrated 110 watt amplifiers. Designed and assembled in Worcestershire, England the MHUB AUDIO is a seamless companion to any MHUB PRO HDMI distribution system, and integrates automatically within uControl.

Incorporating four stereo 110W amplifiers, each with controllable-volume, maximum volume adjustment, auto standby mode, and lip-sync delay. The MHUB AUDIO utilises high-efficiency SM power supplies for the digital elements, whilst the critical analogue audio paths use linear regulation to provide low noise with a great dynamic range.

David Tyas - MHUB AUDIO ELECTRONICS ENGINEER

David is a Fellow (someone of technical eminence) of the Institute of Sound & Communications Engineers. He has a PHD in digital control of analogue audio and lectures for the Audio Engineering Society. Working in audio electronics since 1970, David initially designed audio systems for the UK's most prestigious nightclubs, subsequently joining KLARK TEKNIK where he developed the MIDAS digital mixer consoles, used by the BBC and other broadcasters all over the world.





Standalone Audio Setup

Restaurant / Wine Bar / Churches / Shops

Page 6



Mutizone Video & Audio Setup

Bar / Hospitality / Commercial

Page 8



Mutizone Video & Audio Setup

Residential Large or Small

Page 10

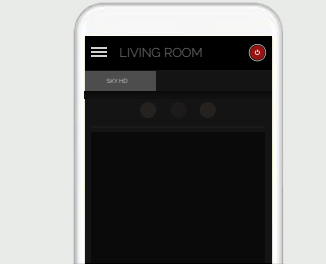
Control



App control

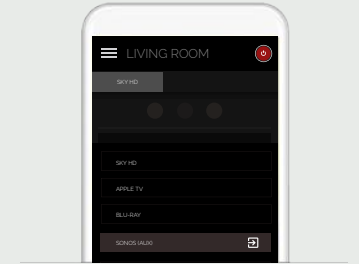
uControl can control the media sources and displays connected to any MHUB via IR and IP over WiFi, with a mobile device instead of multiple remotes.

uControl offers all the control needed for most AV scenarios in every room of the whole-home system. There is no need for a separate controller; it is integrated within the matrix itself.



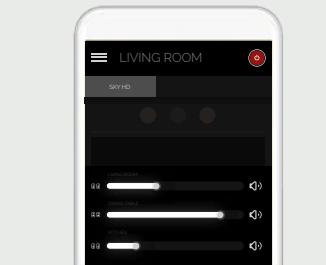
Unified Audio Control.

Toggle between audio devices connected to your MHUB and instantly control your TV, AVR or MHUB AUDIO volume.



Music or TV? Your choice.

MHUB's centralise all your AV devices and make it easy to access your media whenever and wherever you want it.



"These go to eleven".

Fill your home with high-quality immersive audio by grouping audio from multiple zones on-the-fly.

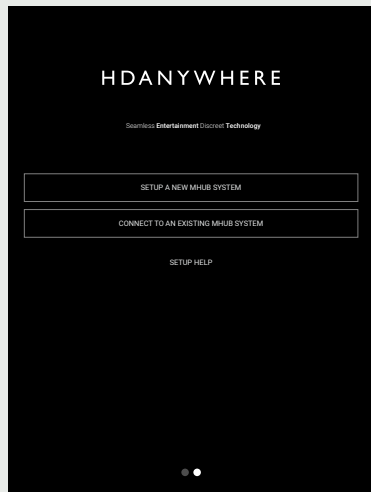


App or voice*: both are the same

Turn off all the TVs in the home with a single voice command. Pause, play or navigate to your favourite channel. There is no need to use your remote.

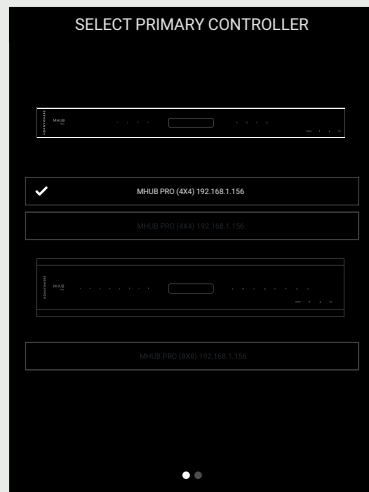
* Country depending

Setup & control in minutes



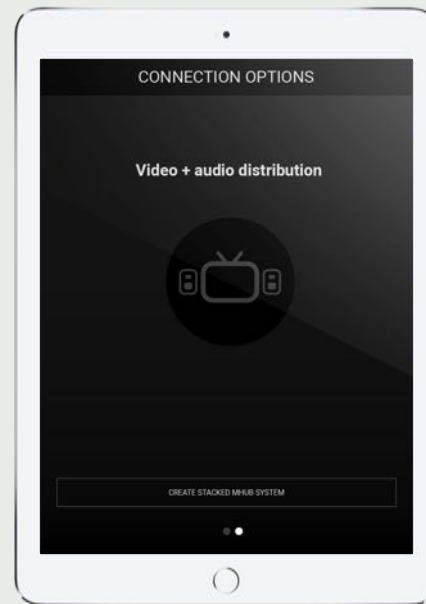
A guided first boot process.

uControl uses everyday language to guide you through the setup process. You will need to download uControl to setup your MHUB system.



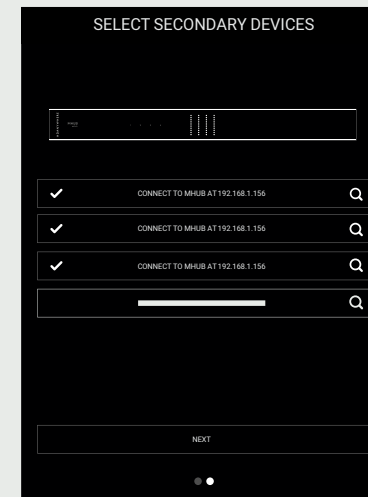
Sophisticated hardware detection.

All MHUB devices are detectable using Apple's Bonjour network discovery protocol. uControl will find and instantly connect to all MHUB devices that it finds.



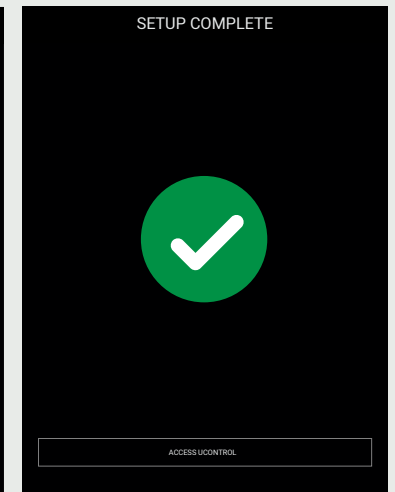
Intelligent defaults.

uControl will intelligently determine what it is that you want to do based on the network search result.



We look after all the complex logic.

MHUB will support up to three stacked MHUB AUDIO systems plus an additional master device to control them all. Complex routing, voice control and cloud management is all taken care for you.



Setup really takes minutes.

All the examples in this document require no control system. uControl will give you control access over all your displays, speakers, AVRs, the MHUB itself plus all the sources connected to it!



STANDALONE AUDIO ONLY

Standalone Audio Setup

Hear everything everywhere

A new restaurant requires a background music solution. MHUB AUDIO is being used to power 16 speakers, some in-ceiling, some on-wall and some bookshelf style, plus 4 active subwoofers. Providing a full-range, high quality room filling audio system..

Take control of audio needs

The restaurant owner uses the uControl App to control what playlists are chosen each night, and to tweak the volume in 4 distinct zones around the room. EQ has been used in each zone to maximise the acoustic properties of the space



1 x HDANYWHERE MHUB AUDIO MATRIX AMP



8 x 8.52DVCA2FG JAMO INSTALLATION SPEAKER



8 x D 500 LCR JAMO BOOKSHELF SPEAKER

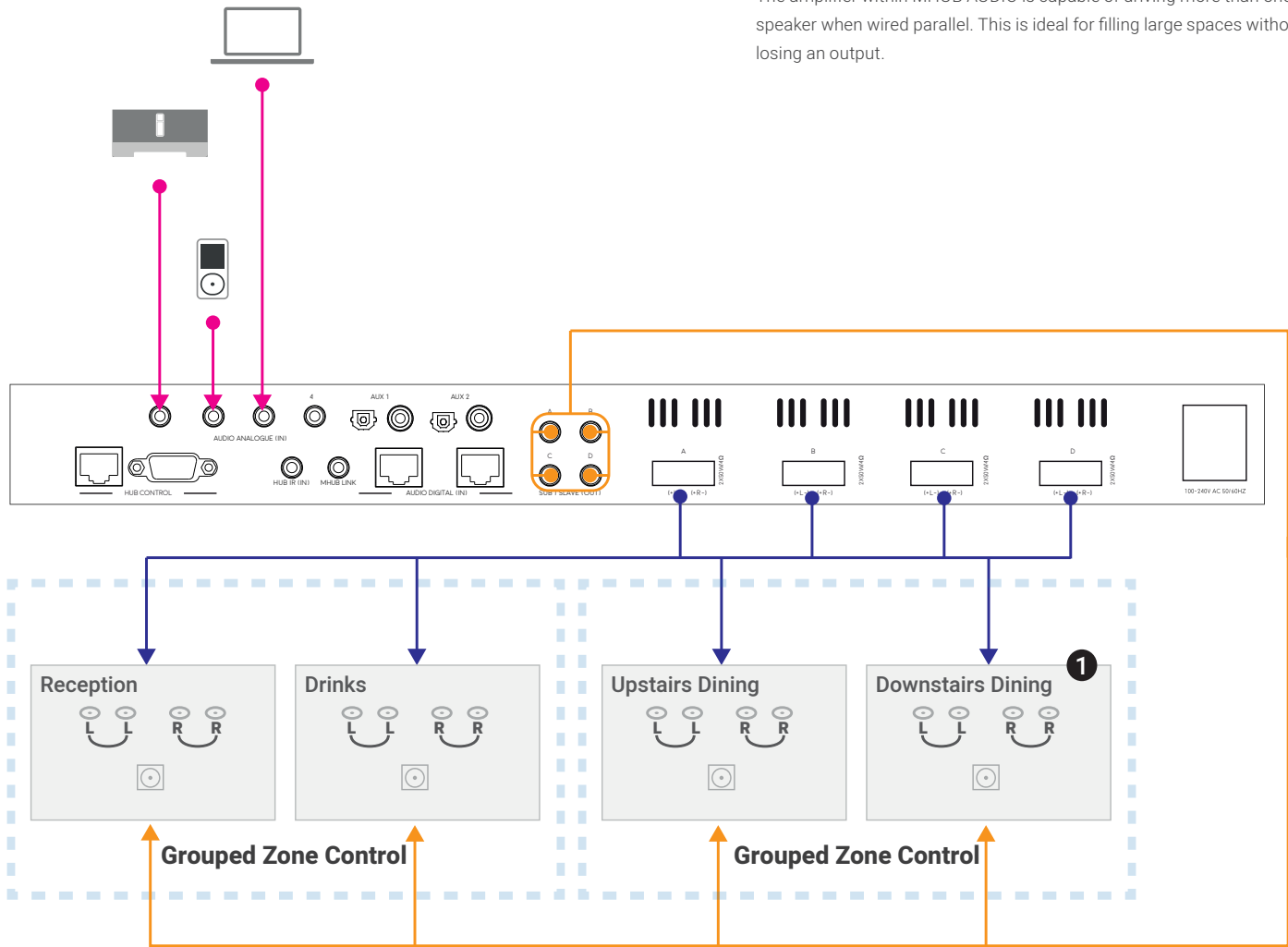


4 x S 810 SUB JAMO SUBWOOFER

STANDALONE Restaurant / Wine Bar / Churches / Shops

1 Parallel Connectivity

The amplifier within MHUB AUDIO is capable of driving more than one speaker when wired parallel. This is ideal for filling large spaces without losing an output.



- Stereo (3.5mm)
- Sub-slave (3.5mm)
- Optical
- Speaker
- HDMI
- HDBaseT
- Zone
- Grouped Zone
- HDBaseT Display
- Mirror Display
- Speakers
- Parallel Connectivity



MULTIZONE

VIDEO & AUDIO

Multizone Video & Audio Setup

A total entertainment solution

Pixelicious Ultra HD 4K video accompanied with impactful sound throughout the whole-home or venue. Route 4 video sources to up to 8 displays or projectors, with audio from up to 16 speakers and 4 booming subs from just 2U of hardware.

Total control as standard

Complete control over what source and channel is being viewed where, plus zone volume and even the ability to turn everything on and off at the start or end of the shift can all be achieved quickly and simply from the uControl app on a phone or tablet.



1 x HDANYWHERE MHUB 4x4 PRO 40 VIDEO MATRIX



1 x HDANYWHERE MHUB AUDIO MATRIX AMP



8 x 8.52DVCA2FG JAMO INSTALLATION SPEAKER



8 x D 500 LCR JAMO BOOKSHELF SPEAKER



4 x S 810 SUB JAMO SUBWOOFER

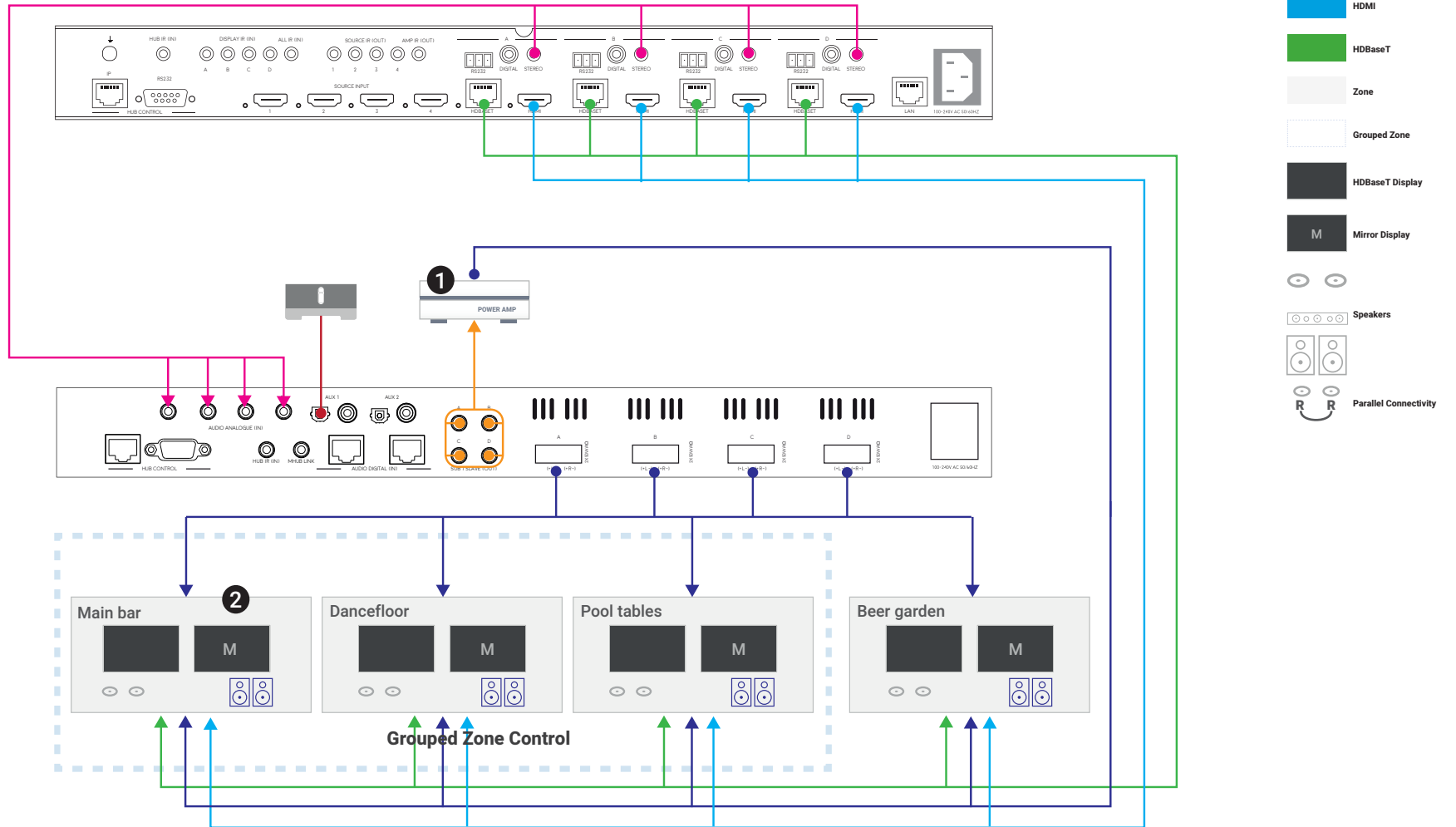
Multizone Video & Audio Setup Bar / Hospitality / Commercial

1 Power Amp

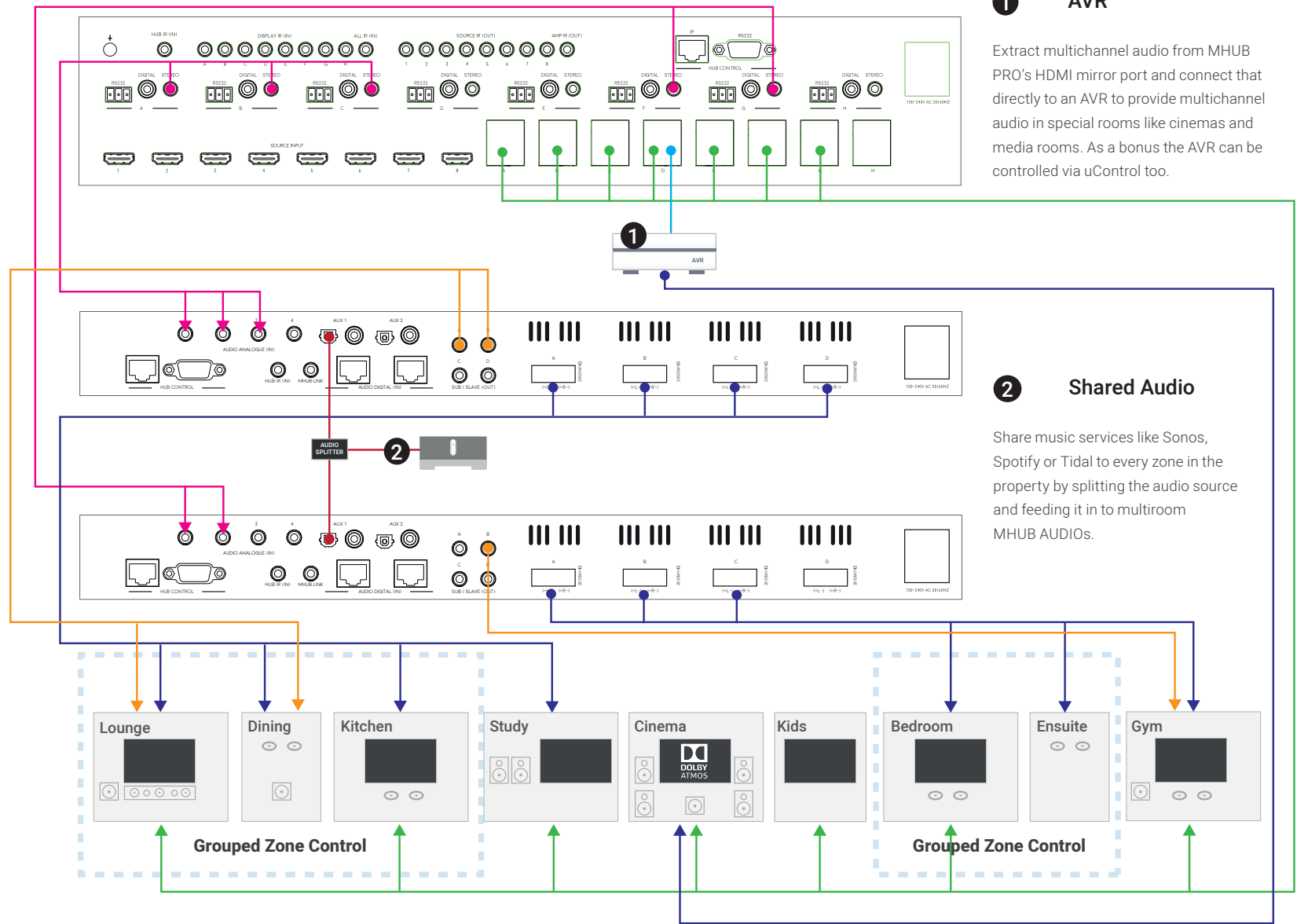
If there isn't enough power from MHUB AUDIO to fill the zone with sound then there is always the option to add a power amp using the "sub/slave" port(s).

2 Mirror Display

Do you need a 8x8 system or can you get away with just a 4x4? All MHUB PRO systems support HDMI mirrors meaning that you can send picture to four additional displays.



Multizone Video & Audio Setup Residential Large or Small



1 AVR

Extract multichannel audio from MHUB PRO's HDMI mirror port and connect that directly to an AVR to provide multichannel audio in special rooms like cinemas and media rooms. As a bonus the AVR can be controlled via uControl too.

2 Shared Audio

Share music services like Sonos, Spotify or Tidal to every zone in the property by splitting the audio source and feeding it in to multiroom MHUB AUDIOs.

- Stereo (3.5mm)
- Sub-slave (3.5mm)
- Optical
- Speaker
- HDMI
- HDBaseT
- Zone
- Grouped Zone
- HDBaseT Display
- M Mirror Display
- Speakers
- Parallel Connectivity

MHUB PRO Systems

Features	MHUBMAX44	MHUB4KPRO4440	MHUB4KPRO4470	MHUBPRO8870
HDMI Inputs	4	4	4	8
HDBaseT Outputs	X	4	4	8
HDMI Output	4	X	X	X
HDMI Mirrored Outputs	X	4	4	8
Transmission Technology	X	HDBT Class B	HDBT Class A	HDBT Class A
POH	X	✓	✓	✓
Distance 4K/1080p	N/A	40m/70m	70m/100m	70m/100m
Resolution	4K/1080p	4K/1080p	4K/1080p	4K/1080p
HDR / Dolby Vision	✓	✓	✓	✓
18Gbps	✓	X	X	X
HDCP	2.2	2.2	2.2	2.2
Ethernet Pass-through	X	X	✓	✓
ARC	X	X	X	X
Internal Audio Routing	✓	✓	✓	✓
Audio Outs (Digital)	4	4	4	8
Audio Outs (Stereo)	4	4	4	8
Stereo Down-mix	✓	✓	✓	✓
Backwards IR	X	✓	✓	✓
Forwards IR	X	✓	✓	✓
Global Backwards	X	✓	✓	✓
Global Forwards	X	✓	✓	✓
RS232	X	✓	✓	✓
App	✓	✓	✓	✓
App Control	Switching	Display/Source/Switching	Display/Source/Switching	Display/Source/Switching
iOS / Android	iOS/Android	iOS/Android	iOS/Android	iOS/Android
Alexa	✓	✓	✓	✓
IP/RS232	✓	✓	✓	✓
Web Interface	✓	✓	✓	✓
Advanced EDID management	✓	✓	✓	✓
Remote Monitoring	✓	✓	✓	✓
Remote Management	✓	✓	✓	✓
Packaged with receivers	X	✓	✓	✓
Scaling Receiver Option	X	✓	✓	✓
Warranty	3 Years + 1 with cloud registration	3 Years + 1 with cloud registration	3 Years + 1 with cloud registration	3 Years + 1 with cloud registration

MHUB AUDIO (6x4)



Effective High Power

The MHUB AUDIO digital multi-channel amplifier offers the features custom installation professionals demand while offering a lighter weight, smaller chassis and more efficient Class D power. The feature-rich design of the MHUB AUDIO is ideal for the demands of distributed audio systems. Its 8 channels are arranged in stereo pairs to provide discreet amplification and custom configurations for each of 4 zones.

Sound Quality

Ultra-low distortion output (relatively unheard of in other multi-zone amplifiers) allows for clean, undistorted audio even at high listening volumes. A robust protection circuit provides efficient, safe and reliable operation under extreme conditions and protects each amplifier output channel.

FEATURES

4x 110w stereo zones 8x 55w channels 4 Ohm (all zones driven)
Roomwizard EQ
Parametric DSP EQ + crossover
6 inputs/ 4 stereo/ 2 digital 4x zone sub/slave outs
Automatically syncs with uControl app
High-efficiency power supply
Adjustable lip-sync delay
Auto low power
High efficiency, cool-running Class D powered amplification.
Low distortion levels.
Individual input gain controls.
Independent user-definable zone output levels.
4 Ohm stable design

SPECIFICATIONS

Form factor	1U aluminium, backlit
Input / output / aux / sub	6 / 4 / 4
Input type	3.5mm Stereo Jack (x4) Optical (x2) Digital Coaxial (x2)
Output type	Digital Coaxial (x2) 3.5mm Jack (x4) sub/slave
Audio support (digital)	Stereo
Audio support (analogue)	Stereo
Lip-sync delay	0 – 170ms on input
Amplifier output power	110 watts into 4 ohms per channel
Ucontrol	Room/source selection +/- volume
Warranty	3 years (4 years with HDA Cloud registration)
Package weight	TBC
Dimension (W/D/H)	440 / 284 / 43
Power	110-240V Internal/POE