

ROUND CO-AXIAL METAL CEILING LOUDSPEAKERS

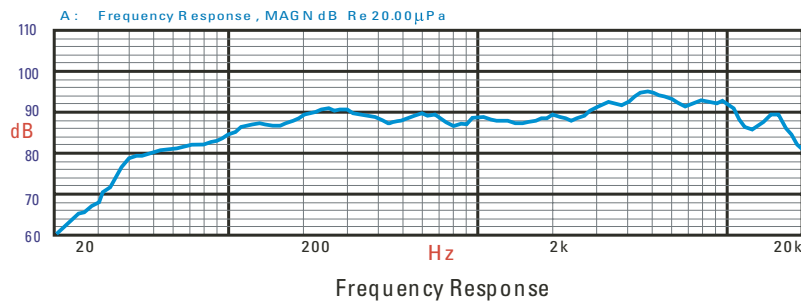
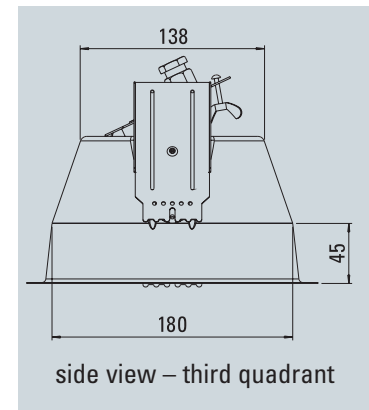
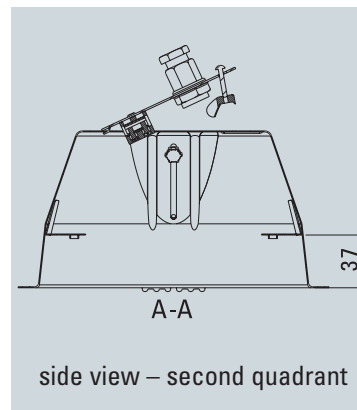
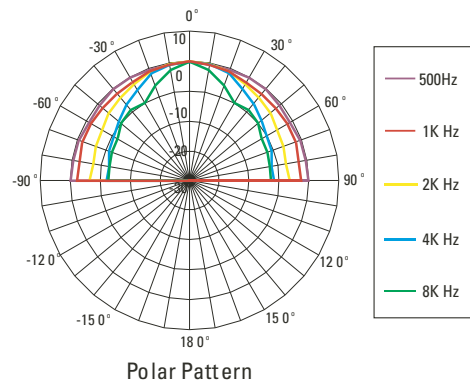
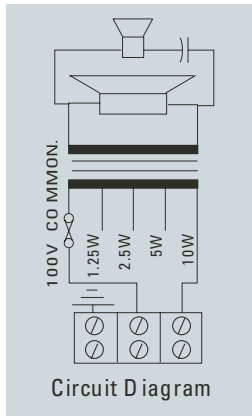
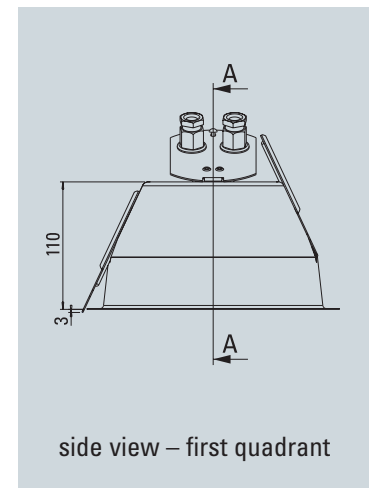
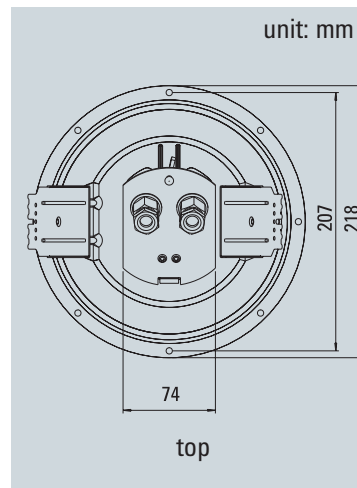
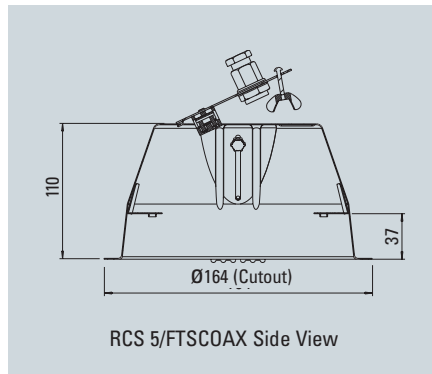
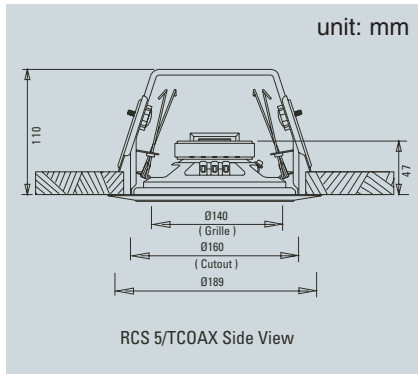


• RCS5/TCOAX • RCS5/FTSCOAX Technical Specifications

Rated power, Watts	10
Tappings 100 volt line, Watts	10/5/2.5/1.25
Transformer Impedance, Ohms, 100V	1k/2k/4k/8k
Tappings 70.7 volt line, Watts	5/2.5/1.25/0.625
Driver impedance, Ohms	8
Effective frequency range, Hz (BS6840)	80–20,000
S.P.L. @ 1m, 1 watt, dB, Test Signal Bandwidth 100 Hz-10 kHz	91
S.P.L. @ Full power Octave Bandwidth, dB	101
Acoustic Power (dB-PWL@1 watt) 1 k/2kHz, dB	88 / 86
Dispersion at 1k/2kHz, Degrees	RCS5/TCOAX: 180/180 RCS5/FTSCOAX: 180/160
Directivity Axial Q factor, 1k/2kHz	RCS5/TCOAX: 2.1/4.0 RCS5/FTSCOAX: 2.0/5.3
Dimensions, diameter, mm	Ø189
Net weight, Kgs	RCS5/TCOAX: 1.0 RCS5/FTSCOAX: 1.57
Colour/Finish	White RAL9016
Material	Steel
Mounting	Torsion springs
Cut-out, mm	RCS5/TCOAX: Ø160 RCS5/FTSCOAX: Ø164

RCS5/FTSCOAX is BS5839 Part 8 voice alarm compliant

RCS5/TCOAX RCS5/FTSCOAX



• PEN5017 Firedome

This patented fire dome has been designed for ease of installation offering 1st and 2nd fit. The unique removable top plate on the dome comes complete with ceramic termination that enables the installer to make all cable connections on a flat plate rather than inside the frugal space offered on a standard fire dome. Once the cabling has been completed the supply line can be checked for continuity/earth faults without damaging the loudspeaker. The ceiling loudspeaker can be connected in the knowledge that the cables are sound.



Penton UK Ltd
 Unit 2, Teville Industrials, Dominion Way, Worthing, West Sussex BN14 8NW England
 Tel:+44 (0)1903 215315 Fax:+44 (0)1903 215415
 E-Mail:sales@pentonuk.co.uk Website:www.penton.org

ROUND METAL CEILING LOUDSPEAKERS

RCS5/TCOAX

RCS5/FTSCOAX

Installation instructions

RCS5/FTSCOAX VERSION: Drawing 1 - 6

Drawing 1

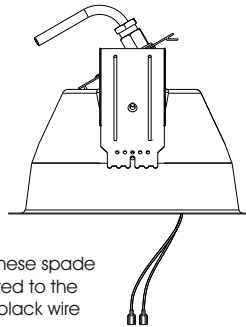


First remove the cable gland mounting plate from the fire dome by loosening the wing nut provided. One does not have to remove the wing nut as the plate can slide into a release and fixed position.

FIRE DOME

Place the fire dome inside the ceiling aperture and secure it with the fixing bracket

Drawing 2

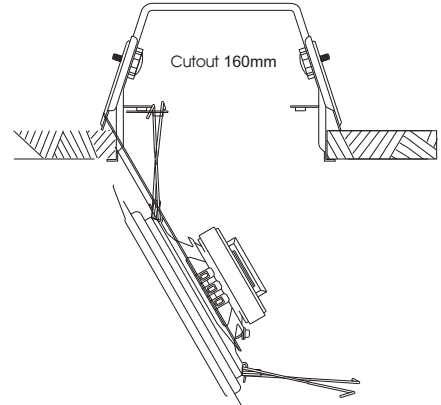


After Drawing 4 these spade connectors are fitted to the transformer. The black wire is the common.

RCS5/T VERSION

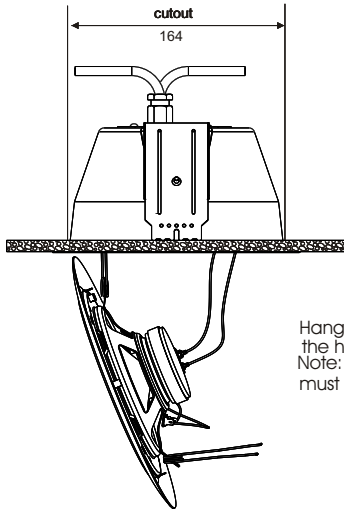
Place the mounting bracket inside the ceiling aperture and secure it with the two black knobs

HOLE CUTOUT REQUIRED FOR RCS5/TCOAX = 160mm



Drawing 4

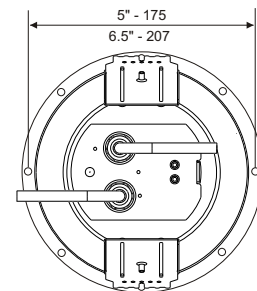
HOLE CUTOUT REQUIRED FOR RCS5/FTSCOAX = 164mm



Hang one of the speaker suspension springs on the hook of the fire dome or mounting bracket. Note: the angled part of the mounting spring must point towards the centre of the speaker

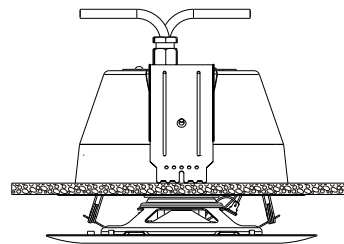
Connect 100 volt line to the terminal block as shown. See transformer diagram for volume (watts) tapping below

Drawing 3



Top View

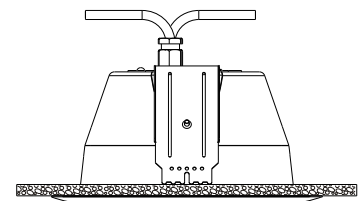
DRAWING 5



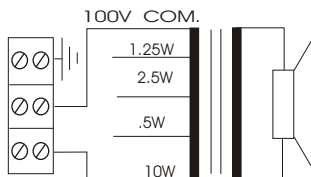
MOUNTING LOUDSPEAKER

After the spades have been connected (drawing 2) ,connect the final spring on the remaining clip inside the fire dome. Push the loudspeaker into the fire dome making sure that no cables are trapped.

DRAWING 6



Installed Loudspeaker



Circuit Diagram