

Product Guide**C 0936** 2-Way 100mm (4") 40W 8 Ohm Wall Speakers White**C 0937** 2-Way 100mm (4") 40W 8 Ohm Wall Speakers Black

40W 8 Ohm Wall Speakers

- ✓ Ideal for music sound reinforcement.
- ✓ Dual woofer & titanium dome tweeter combination for optimum frequency response and clarity.
- ✓ Stylish glossy finish & enclosure design for upmarket bars, boutiques and venues
- ✓ Suitable for sheltered outdoor use.
- ✓ Ball joint adjustment.
- ✓ Grilles constructed from marine grade aluminium.
- ✓ Horizontal or vertical mounting



Application

These stylish wall speakers deliver high quality sound for music and sound reinforcement. Ideal for entertaining areas at home or boutiques, cafes, pubs & clubs in professional installations. Connection is via spring terminals on rear. Aluminium grille & stainless steel hardware offer rust free performance in even the most demanding environments. Suitable for outdoor installations under cover eg: not rainproof.

Installation Guidelines

Each speaker is designed with a contoured enclosure providing a stylish finish to your installation - it virtually disappears once mounted.

The bracket is a ball joint design which can be easily adjusted to any angle desired in both horizontal and vertical positions. The front logo is rotatable to suit.

Connection is via the recessed spring terminals.

All models are suitable for sheltered outdoor use (ie under patio, beer gardens etc). Grilles are constructed from marine grade aluminium and painted with long lasting industrial strength powdercoat to withstand harsh environments. Bracket is constructed from stainless steel.

About Redback® Speaker Drivers

Each custom designed speaker and transformer combination has been specifically engineered to ensure a wide frequency range and dispersion angle, plus a high sound pressure level (SPL) ensuring excellent music and speech intelligibility.

Redback® drivers exhibit optimum frequency response and efficiency for BGM and paging applications.

Testing

Redback® drivers are subject to strenuous factory testing reducing the risk of unit failure or performance reduction over time. Each driver has a power rating well above the max tapping of the transformer, ensuring reliable operation and excellent longevity.

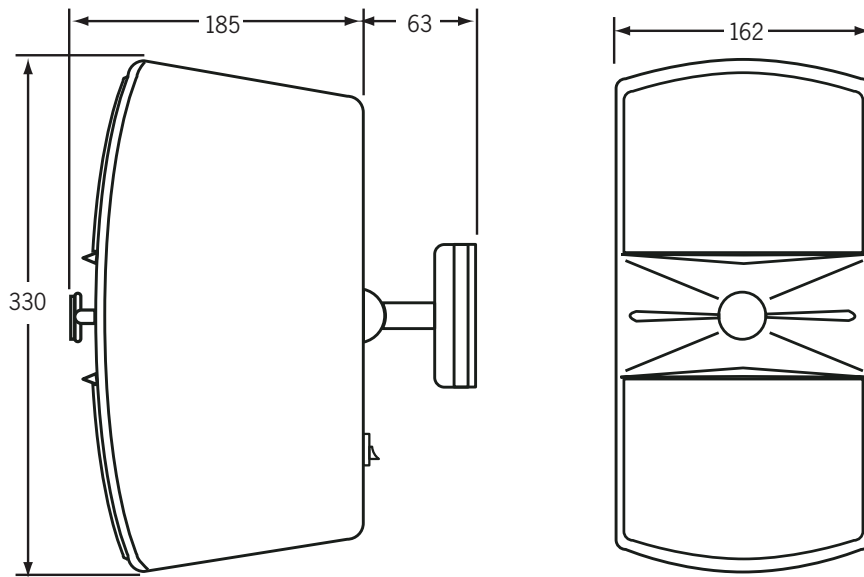
Product Guide

C 0936 2-Way 100mm (4") 40W 8 Ohm Wall Speakers White

C 0937 2-Way 100mm (4") 40W 8 Ohm Wall Speakers Black



Dimensions Detail



Specifications

Electrical

Impedance:	8 Ohms
Output power:	40 Watts RMS
SPL 1W @ 1m:	88dB @ 1kHz (+/- 2dB)
Frequency response:	65Hz-20kHz
Connection:	Recessed spring terminals

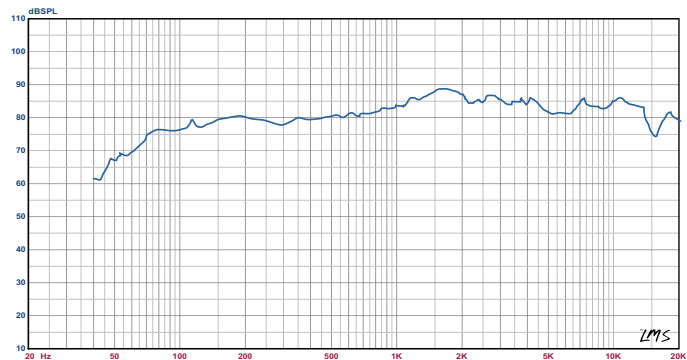
Mechanical

Grille material:	Aluminium mesh
Driver construction:	Polypropylene
Mounting depth (from wall surface):	248mm
Overall weight:	3.6kg

Environmental

Operating temperature:	-25°C to +55°C
Relative humidity:	< 95%

Frequency Response (SPL 1W @ 1m)



Architect Specifications

C 0936

The monitor speaker shall consist of a white enclosure incorporating two 4" bass drivers and titanium dome tweeter. It shall be rated at 40 Watts RMS at 8 Ohms. It shall have a frequency response of 65Hz to 20 kHz and SPL of 88dB. Speaker connection shall be via recess spring terminal connection. Mounting bracket shall be constructed from stainless steel. Perforated grilles will be powder coated aluminium. The monitor speaker shall be white in colour and shall be a REDBACK model C 0936.

C 0937

The monitor speaker shall consist of a white enclosure incorporating two 4" bass drivers and titanium dome tweeter. It shall be rated at 40 Watts RMS at 8 Ohms. It shall have a frequency response of 65Hz to 20 kHz and SPL of 88dB. Speaker connection shall be via recess spring terminal connection. Mounting bracket shall be constructed from stainless steel. Perforated grilles will be powder coated aluminium. The monitor speaker shall be black in colour and shall be a REDBACK model C 0937.