

Product Guide**C 1055** 30W 100V Line Pendant Ball Speaker

C 1055 30W 100V Line Pendant Ball Speaker

- ✓ Ideal for high ceilings and open space environments.
- ✓ Wide dispersion angle.
- ✓ 30W high power tap provides flexibility for music installations.
- ✓ Selectable power taps via multi-core cable.
- ✓ Includes ceiling rose for a neat finish.
- ✓ Contemporary off white colour for architecturally unobtrusive installation.
- ✓ IEC529 IP55 rated for water protection



Application

Designed for use where traditional ceiling mounted speakers are impractical to install. Used in such areas as very high raked, suspended, concrete, or exposed ceilings. Installation requires a single fixing with connection concealed within the ceiling rose provided. Fitted with a high efficiency 165mm (6.5") twin cone 30W driver and is IEC529 IP55 rated for water protection.

Installation Guidelines

Ideally suited to areas where traditional loudspeaker installation is impractical, particularly in high ceiling environments where meeting a required attenuation level is difficult. A pendant speaker lowers the level of the sound source from the ceiling, allowing greater sound dispersion without the need to increase overall wattage output.

About Redback® Speaker Drivers

Each custom designed speaker and transformer combination has been specifically engineered to ensure a wide frequency range and dispersion angle, plus a high sound pressure level (SPL) ensuring excellent music and speech intelligibility; which is highly desirable.

Redback® drivers exhibit optimum frequency response and efficiency for BGM, paging and EWIS applications. The transformers are wound on professional grade grain oriented steel cores for high efficiency and extended frequency response.

Testing

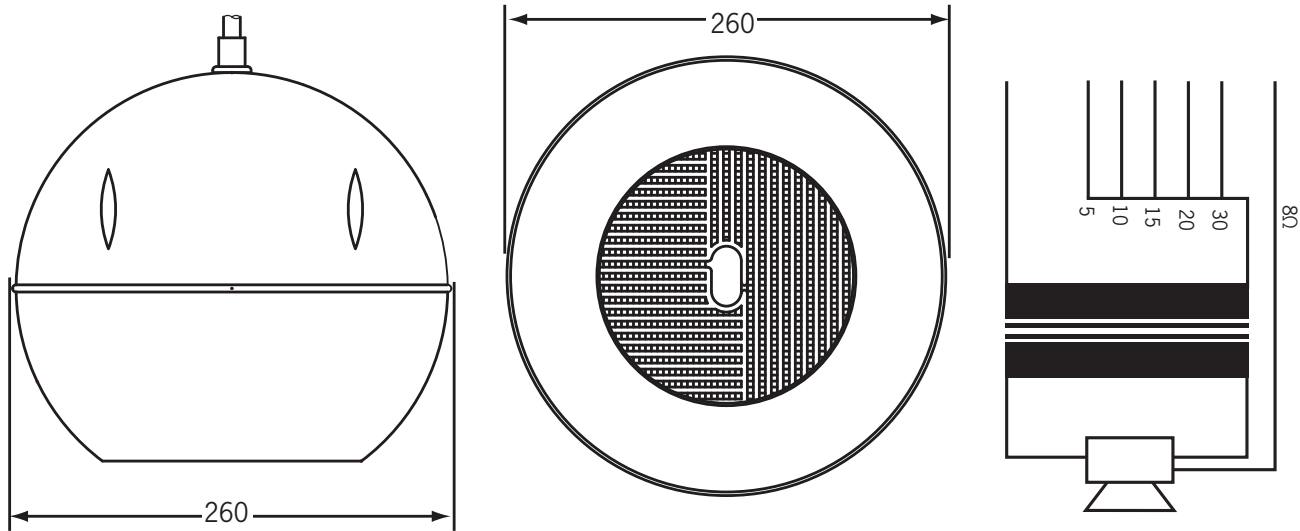
Redback® drivers are subject to strenuous factory testing reducing the risk of unit failure or performance reduction over time. Each driver has a power rating well above the max tapping of the transformer, ensuring reliable operation and excellent longevity.

Product Guide

C 1055 30W 100V Line Pendant Ball Speaker



Dimensions & Transformer Detail



Specifications

Electrical

Power taps:	8Ω 5, 10, 15, 20, 30W
SPL 1W @ 1m:	91dB @ 1kHz (+/- 2dB)
SPL full power @ 1m:	106dB @ 1kHz (+/- 2dB)
Frequency response:	100Hz-20kHz
Dispersion:	200° @ 1kHz
Connection:	7-core cable

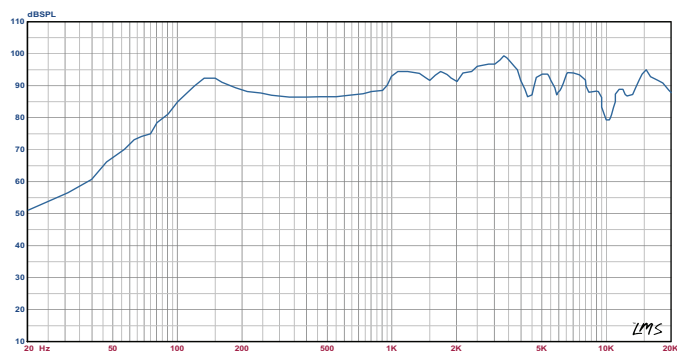
Mechanical

Housing construction:	ABS with UV protection
Cable length:	5m
Enclosure diameter:	260mm
Overall weight:	3kg
Enclosure colour:	White (RAL 9016)

Environmental

Operating temperature:	-30°C to +60°C
Ingress protection:	IEC529 IP55

Frequency Response (SPL 1W @ 1m)



Architect Specifications

The suspension mount ball speaker shall have a 165mm twin cone speaker driver which shall operate at 100V and 8 ohm, and have power taps of 30W, 20W, 15W, 10W, 5W and 8 ohm. It shall have SPL of 91dB. It shall have a frequency response of 100Hz to 20 kHz. The speaker body shall be made of ABS and shall have a 5 meter suspension cable and be rated to IEC529 IP55 for water and dust ingress protection. The ball speaker shall be a REDBACK model C 1055.