

**Product Guide****C 1057** 30W 100V Line Pendant Ceiling Speaker

## C 1057 30W 100V Line Pendant Ceiling Speaker

- ✓ Ideal for high ceilings and open space environments.
- ✓ Wide dispersion angle.
- ✓ 30W high power tap provides flexibility for music installations.
- ✓ Selectable power taps via rotary switch.
- ✓ Includes ceiling rose for a neat finish.
- ✓ Contemporary off white colour for architecturally unobtrusive installation.



### Application

The C 1057 is a conical pendant speaker designed for use in high ceiling architecture applications. The stylish housing and 5m lead allow it to be suspended at an ideal height for optimum sound dispersion in public address systems. It delivers sensational speech intelligibility and extended frequency response for background music.

Pendant speakers are commonly used where traditional ceiling mounted speakers are impractical to install, such as very high raked, suspended, concrete, or exposed ceilings. Installation requires a single fixing with connection concealed within the ceiling rose provided. Fitted with a high efficiency 114mm (4.5") twin cone 30W driver.

### Installation Guidelines

Ideally suited to areas where traditional loudspeaker installation is impractical, particularly in high ceiling environments where meeting a required attenuation level is difficult. A pendant speaker lowers the level of the sound source from the ceiling, allowing greater sound dispersion without the need to increase overall wattage output.

### About Redback® Speaker Drivers

Each custom designed speaker and transformer combination has been specifically engineered to ensure a wide frequency range and dispersion angle, plus a high sound pressure level (SPL) ensuring excellent music and speech intelligibility; which is highly desirable.

Redback® drivers exhibit optimum frequency response and efficiency for BGM, paging and EWIS applications. The transformers are wound on professional grade grain oriented steel cores for high efficiency and extended frequency response.

### Testing

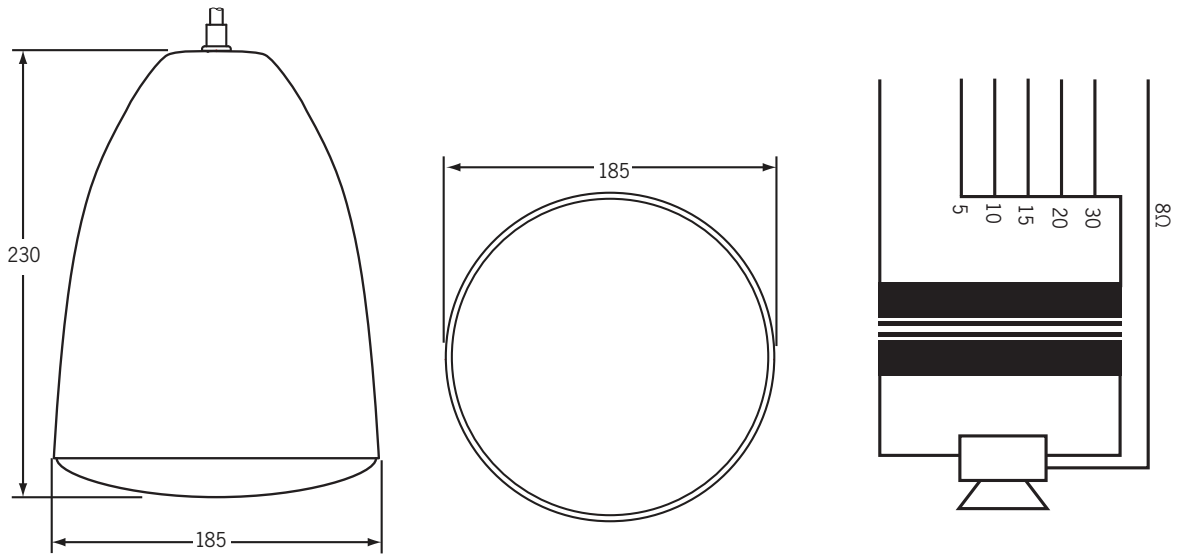
Redback® drivers are subject to strenuous factory testing reducing the risk of unit failure or performance reduction over time. Each driver has a power rating well above the max tapping of the transformer, ensuring reliable operation and excellent longevity.

## Product Guide

**C 1057** 30W 100V Line Pendant Ceiling Speaker



### Dimensions & Transformer Detail



### Specifications

#### Electrical

|                     |                       |
|---------------------|-----------------------|
| Power taps:         | 8Ω 5, 10, 15, 20, 30W |
| SPL 1W @ 1m:        | 90dB @ 1kHz (+/- 2dB) |
| Frequency response: | 70Hz-20kHz            |
| Dispersion:         | 135° @ 1kHz           |
| Connection:         | Screw terminal        |

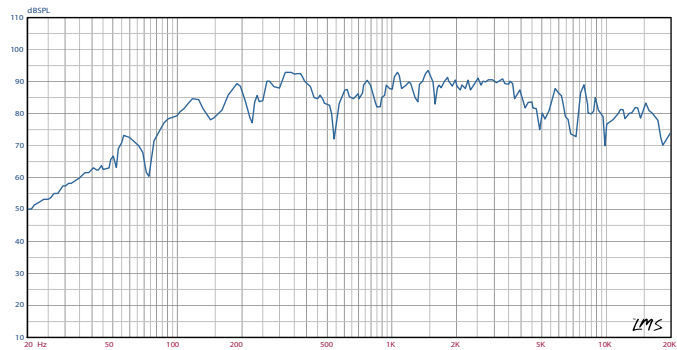
#### Mechanical

|                       |           |
|-----------------------|-----------|
| Housing construction: | ABS       |
| Cable length:         | 5m        |
| Enclosure diameter:   | 185mm     |
| Overall weight:       | 2.1kg     |
| Enclosure colour:     | Off white |

#### Environmental

|                        |                |
|------------------------|----------------|
| Operating temperature: | -30°C to +60°C |
|------------------------|----------------|

### Frequency Response (SPL 1W @ 1m)



### Architect Specifications

The suspension mount pendant speaker shall have a 114mm twin cone speaker driver which shall operate at 100V and 8 ohm, and have power taps of 30W, 20W, 15W, 10W, 5W and 8 ohm. It shall have SPL of 90dB. It shall have a frequency response of 70Hz to 20 kHz. The speaker body shall be made of off white ABS and shall have a 5 meter suspension cable. The pendant speaker shall be a REDBACK model C 1057.